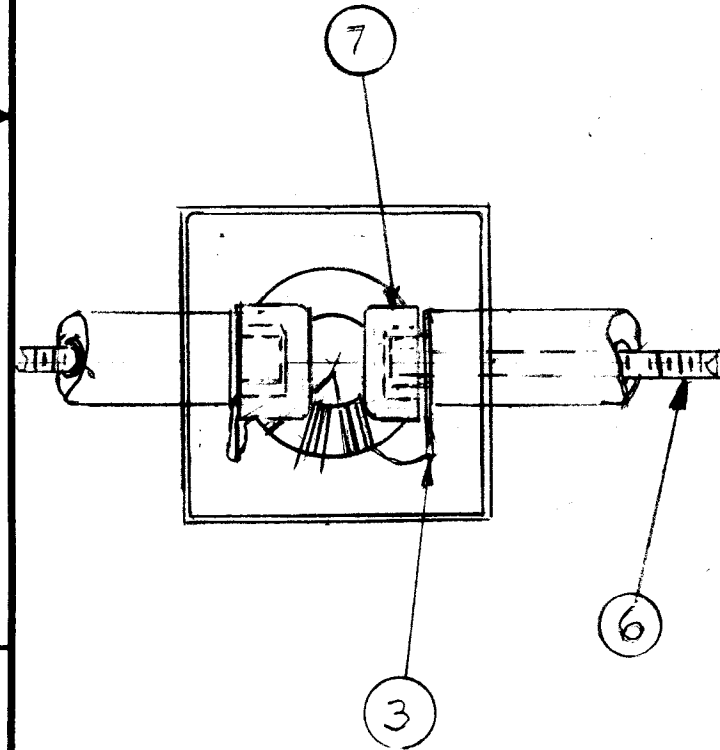
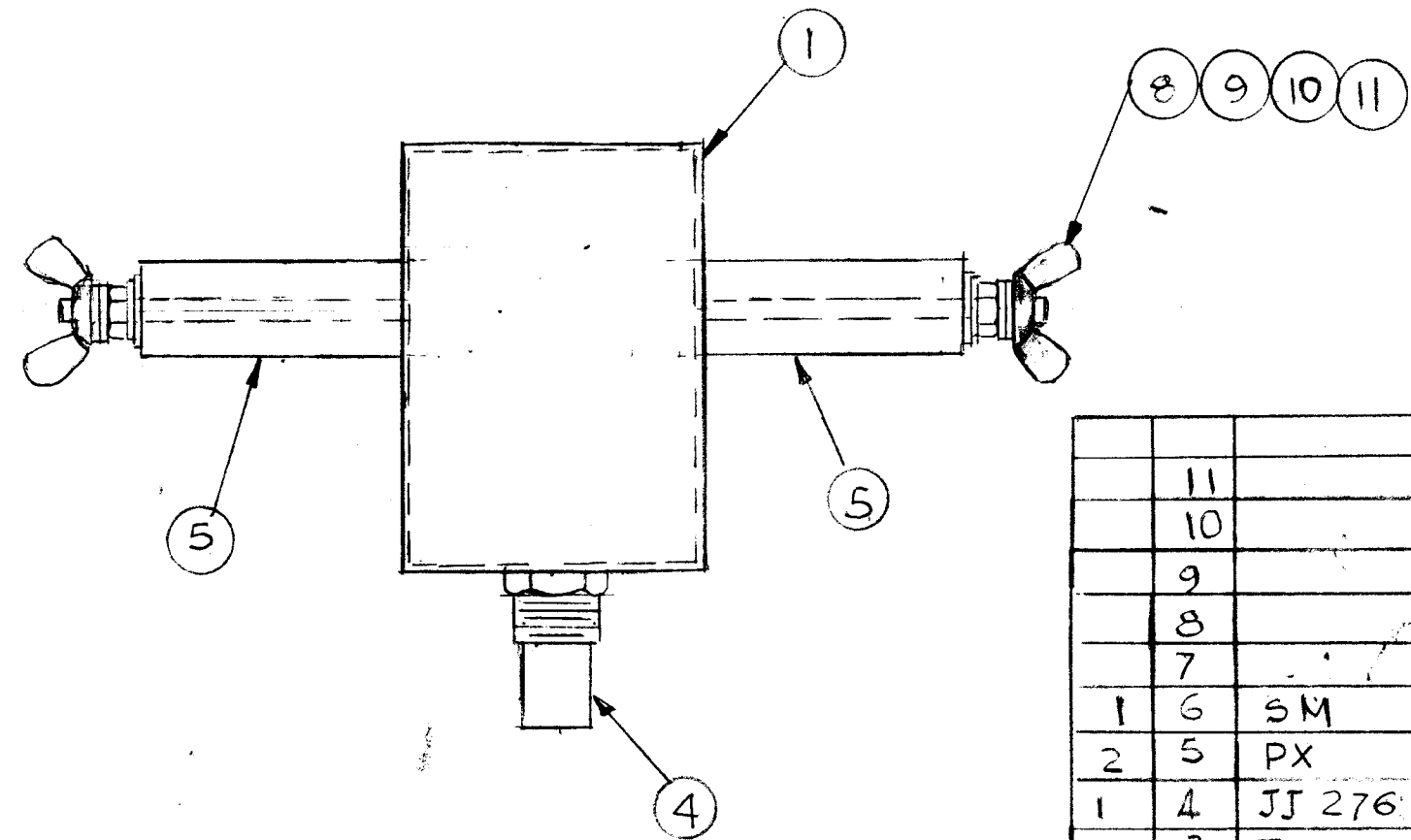
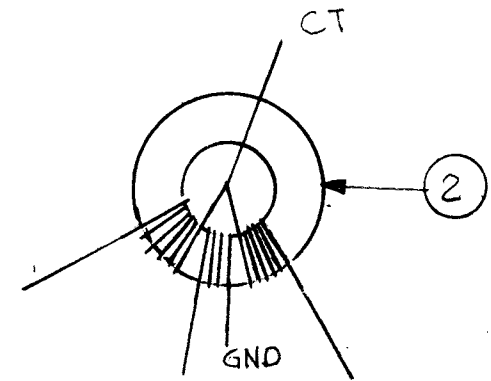
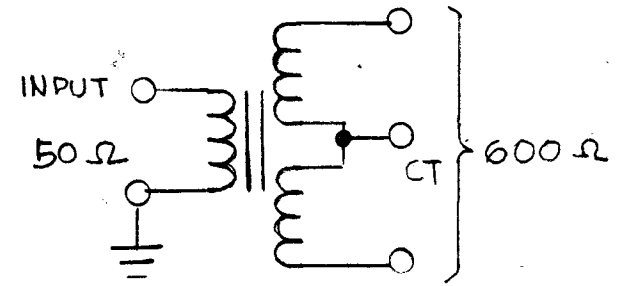


REVISIONS							
E.M.N. NO.	DRAFT	CHKD	ZONE	LTR	DESCRIPTION	DATE	APPROVED

SCHEMATIC



REQ'D	ITEM	PART NUMBER	DESCRIPTION	SYM.
	11			
	10			
	9			
	8			
	7			
1	6	SM		
2	5	PX		
1	4	JJ 276		
2	3	TE 116-1	SOLDER, LUG	
1	2	TR 217	TRANSFORMER, PH	
1	1	BX	CAN, BX -10 MODIFIED	

LIST OF MATERIAL

1	TTC-20W	A5880
QTY / UNIT	MODEL USED ON	ASS'Y NO.

APPLICATION

CODE

NOTICE TO PERSONS RECEIVING THIS DRAWING
 THE TECHNICAL MATERIEL CORPORATION claims proprietary right in the material disclosed hereon. This drawing is issued in confidence for engineering information only and may not be reproduced or used to manufacture anything shown hereon without permission from THE TECHNICAL MATERIEL CORPORATION to the user. This drawing is loaned for mutual assistance and is subject to recall at any time.

UNLESS OTHERWISE SPECIFIED DIMENSIONS ARE IN INCHES AND INCLUDE CHEMICALLY APPLIED OR PLATED FINISHES

DECIMALS	FRACTIONS
.X ± .05	1/64
.XX ± .01	TOLS. ANGLES
.XXX ± .005	0°-30'

MATERIAL

FINISH

FINAL APPROVAL	DATE
MECH. DES.	DATE
ELECT. DES.	DATE
CHECKED	DATE
DRAWN	DATE

THE TECHNICAL MATERIEL CORP.
 MAMARONECK, NEW YORK

ASS'Y 20W BALUM
 50Ω/600Ω BALANCE

SIZE	CODE IDENT. NO.	DWG NO.	ISSUE
B	82679	A5880	

SCALE SHEET OF