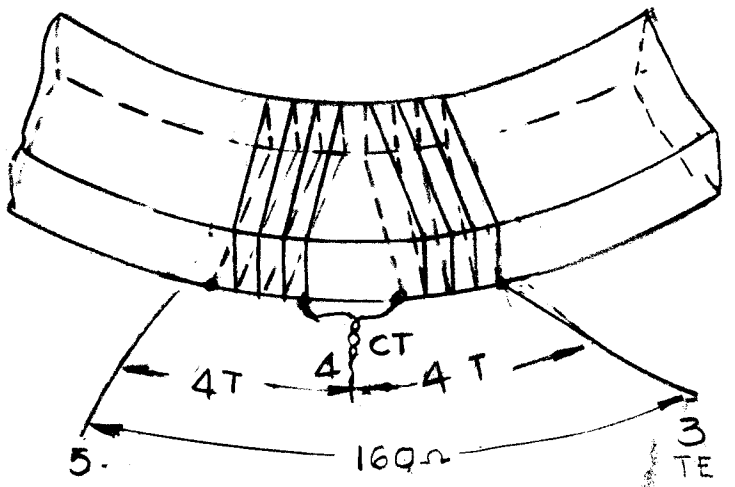
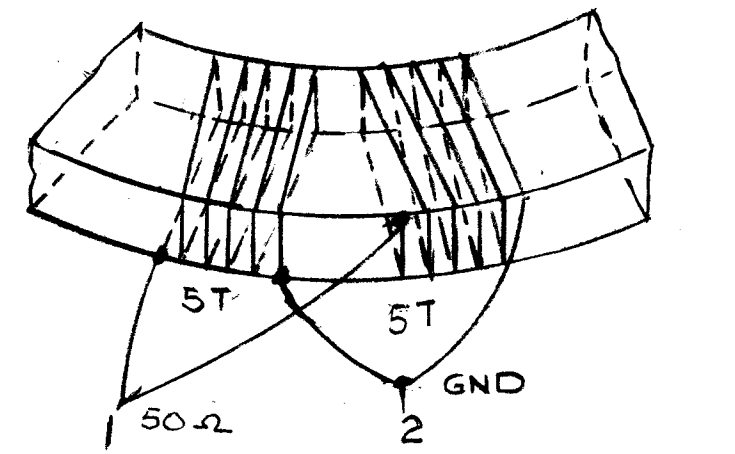
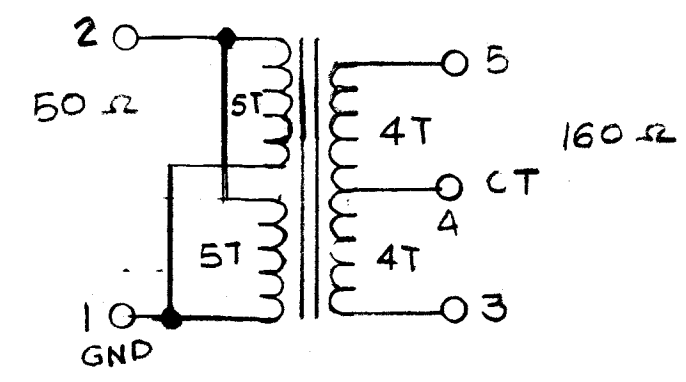
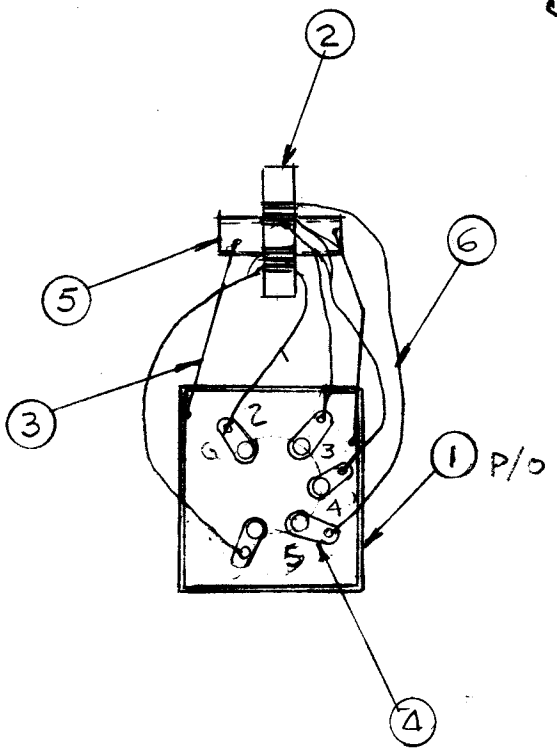


REVISIONS							
EM.N.NO.	DRAFT	CHKD	ZONE	LTR	DESCRIPTION	DATE	APPROVED
	GDL			A	TEST DIAG. & CHART ADD	2-4-92	

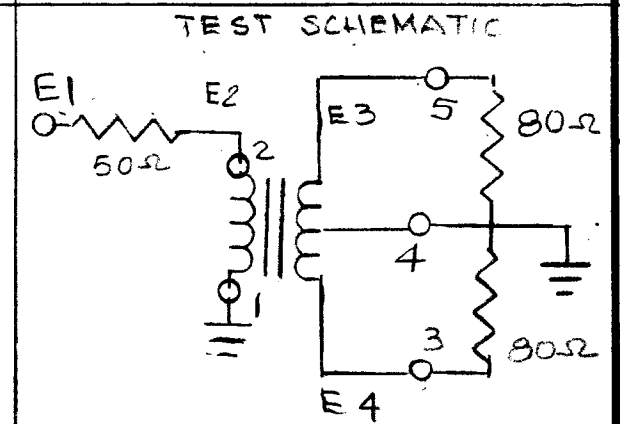
1ST LAYER SAME WINDING DIRECTION



2ND LAYER SAME WINDING DIRECTION



SCHEMATIC



f. MHz	E1	E2	E3	E4
2	1	.5	.5	.5
4	1	.5	.5	.5
8	1	.56	.5	.5
16	1	.51	.5	.5
24	1	.5	.48	.48
30	1	.5	.48	.48

NOTE:  
 A- 1 LAYER OF SILICON TAPE IN BETWEEN WINDING LAYERS  
 B- WIRE SIZE # 30DCC

REQ'D	ITEM	PART NUMBER	DESCRIPTION	SYM.
X	8	GL 120	POTTING COMPOUND	
-	7			
1	6	WI 10007	COIL WIRE #30 DCC	
1	5	CF 10012	COIL FORM	
5	4	TE 110-2	LUG SOLDER	
2	3	MS 10259	STABILIZER	
1	2	CI-10001-3	CORE GRADE 3C	
1	1	BX 239	CASE & COVER ASSY	

LIST OF MATERIAL

QTY / UNIT	MODEL USED ON	ASS'Y NO.
APPLICATION		
	CODE	TR-216

NOTICE TO PERSONS RECEIVING THIS DRAWING  
 THE TECHNICAL MATERIEL CORPORATION claims proprietary right in the material disclosed hereon. This drawing is issued in confidence for engineering information only and may not be reproduced or used to manufacture anything shown hereon without permission from THE TECHNICAL MATERIEL CORPORATION to the user. This drawing is loaned for mutual assistance and is subject to recall at any time.

UNLESS OTHERWISE SPECIFIED DIMENSIONS ARE IN INCHES AND INCLUDE CHEMICALLY APPLIED OR PLATED FINISHES		FINAL APPROVAL	DATE
DECIMALS .X ± .05 .XX ± .01 .XXX ± .005	FRACTIONS 1/64 ANGLES 0°-30'	<i>GDL</i>	7/7/92
MATERIAL	FINISH	MECH. DES.	DATE
		ELECT. DES.	DATE
		CHECKED	DATE
		DRAWN	DATE
		<i>GDL</i>	7/7/92

THE TECHNICAL MATERIEL CORP. MAMARONECK, NEW YORK			
ASSY TR 216 TRANSFORMER 50 <sup>Ω</sup> UNBAL - 160 <sup>Ω</sup> BAL			
SIZE	CODE IDENT. NO.	DWG NO.	ISSUE
B	82679	A 5879	A
SCALE	SHEET		OF
	1		1

D

C

B

A

D

C

B

A