

4

3

2

1

REVISIONS						
ZONE	LTR	DESCRIPTION	DATE	E.M.N.NO	DRAFT	CHKD APPD
	Ø	ORIGIANLE RELEASE FOR PRODUC.	3-20-91		GDL	

D

D

C

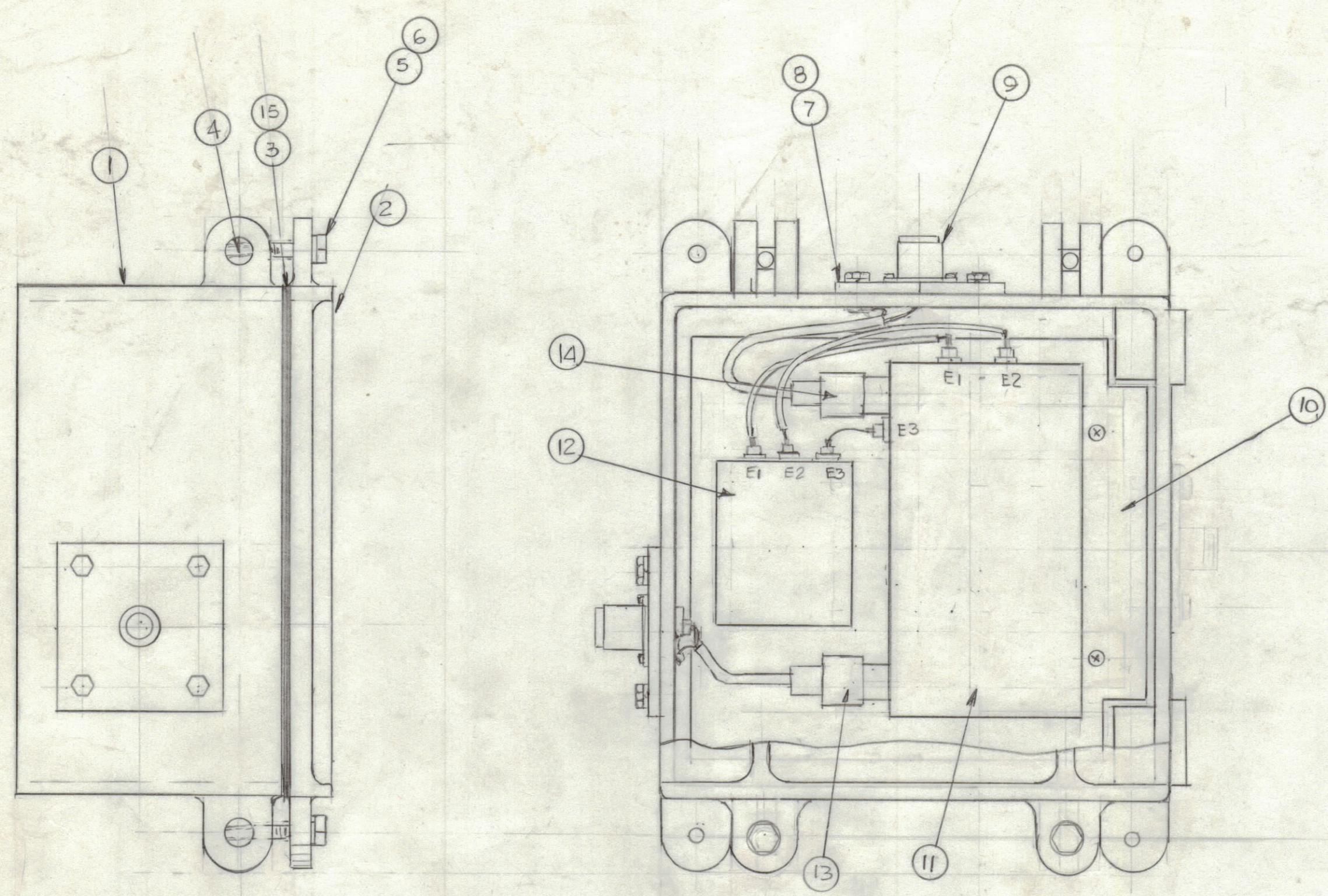
C

B

B

A

A



QTY. REQ.	ITEM	PART NO.	DESCRIPTION	SYMBOL
X	16	BS 100	BOLDER, SOFT.	
X	15	GL 101-2	CEMENT, PLIOBOND	
1	14	CA 1904-1	CABLE, COAXIAL	
1	13	CA 1904-2	CABLE, COAXIAL	
1	12	A 5872	ASSY, RF CONTROL	
1	11	A 5873	ASSY, RF AMPL.	
1	10	MS 7240	PLATE MTG. COMP.	
2	9	UG 58A	CONNECTOR, OUTPUT	
1	8	GA 149-4	GASKET, INSULATOR	
2	7	PM 119	FLANGE	
4	6	FW 2520HBN	FLAT, WASHER	
4	5	SCHW 520S32	SCREW MACHINE	
4	4	PM 100	PIN, COVER BOLT	
1	3	GA 103	GASKET, COVER	
1	2	PM 105	COVER	
1	1	PM 717	CASE, MACHINING	

A 5875

Ø

B

1	PAL-15	
QTY / UNIT	MODEL USED ON	ASS'Y NO.
APPLICATION		
CODE		

UNLESS OTHERWISE SPECIFIED DIMENSIONS ARE IN INCHES AND INCLUDE CHEMICALLY APPLIED OR PLATED FINISHES

TOLERANCES ON

DECIMALS	FRACTIONS
.X ± .05	± 1/64
.XX ± .01	ANGLES
.XXX ± .005	± 0° -30'

FINAL APPROVAL	DATE
<i>GDB</i>	1/2/93
MECH. DES.	DATE
ELECT. DES.	DATE
CHECKED	DATE
DRAWN	DATE
<i>G.D.L.</i>	3-5-91

LIST OF MATERIAL			
THE TECHNICAL MATERIEL CORP. MAMARONECK, NEW YORK			
FINAL ASSY PAL-15			
SIZE	CODE IDENT.NO	DWG NO.	ISSUE
C	82679	A 5875	Ø
SCALE	1:2	SHEET	OF

NOTICE TO PERSONS RECEIVING THIS DRAWING

THE TECHNICAL MATERIEL CORPORATION claims proprietary right in the material disclosed hereon. This drawing is issued in confidence for engineering information only and may not be reproduced or used to manufacture anything shown hereon without permission from THE TECHNICAL MATERIEL CORPORATION to the user. This drawing is loaned for mutual assistance and is subject to recall at any time.

4

3

2

1