

5

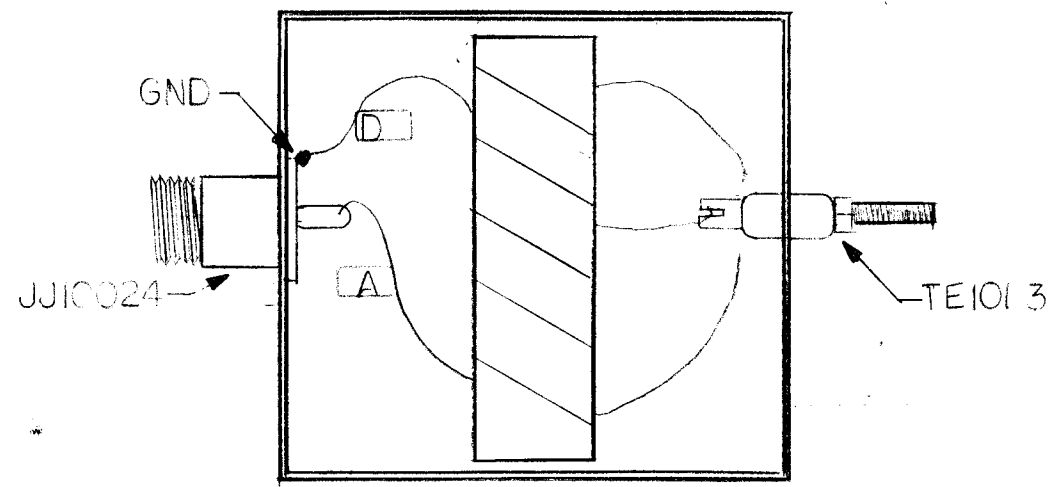
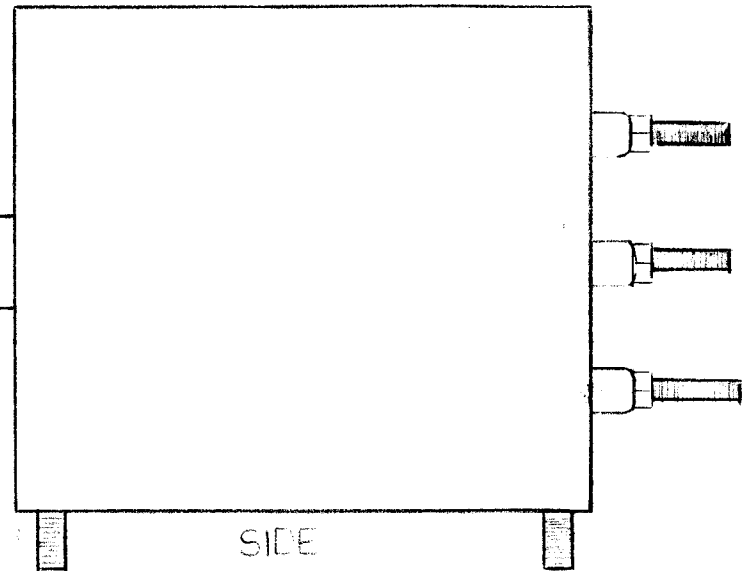
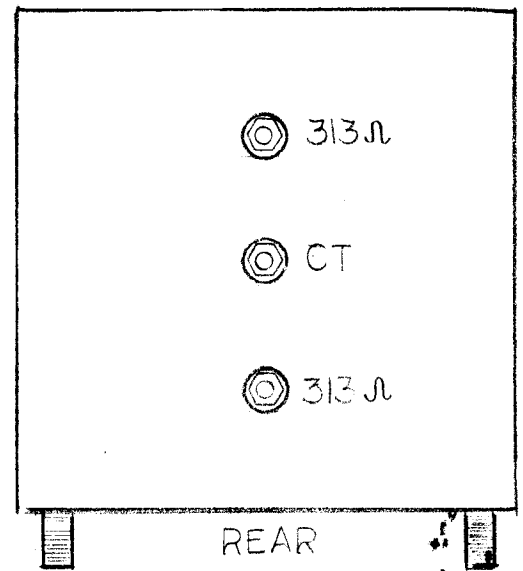
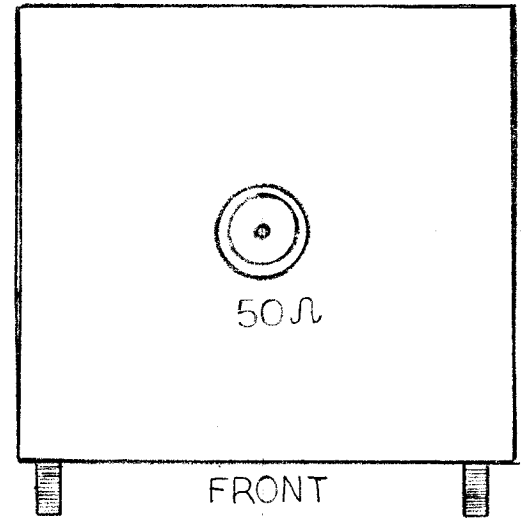
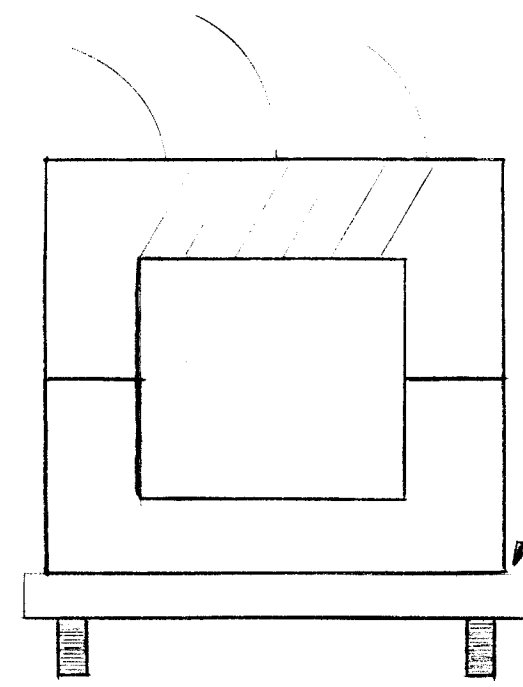
4

3

2

1

| REVISIONS | | | | | | | |
|------------|-------|------|------|-----|-------------|------|----------|
| E.M.N. NO. | DRAFT | CHKD | ZONE | LTR | DESCRIPTION | DATE | APPROVED |



| REQ'D | ITEM | PART NUMBER | DESCRIPTION | SYM. |
|-------|------|-------------|-------------|------|
|-------|------|-------------|-------------|------|

LIST OF MATERIAL

THE TECHNICAL MATERIEL CORP.
MAMARONECK, NEW YORK

TR212 ASSEMBLY
(FINAL)

| QTY / UNIT | MODEL USED ON | ASS'Y NO. |
|-------------|---------------|-----------|
| APPLICATION | | |
| | CODE | |

UNLESS OTHERWISE SPECIFIED
DIMENSIONS ARE IN INCHES
AND INCLUDE CHEMICALLY APPLIED
OR PLATED FINISHES

| DECIMALS | FRACTIONS |
|-------------|--------------|
| .X ± .05 | 1/64 |
| .XX ± .01 | TOLS. ANGLES |
| .XXX ± .005 | 0° - 30' |

MATERIAL

FINISH

FINAL APPROVAL *DB* DATE *7/10/66*

MECH. DES. DATE

ELECT. DES. DATE

CHECKED DATE

DRAWN *RAW* DATE *7/10/66*

| SIZE | CODE IDENT. NO. | DWG NO. | ISSUE |
|------|-----------------|---------|----------|
| B | 82679 | A 5863 | <i>Q</i> |

NOTICE TO PERSONS RECEIVING THIS DRAWING
THE TECHNICAL MATERIEL CORPORATION claims proprietary right in the material disclosed hereon. This drawing is issued in confidence for engineering information only and may not be reproduced or used to manufacture anything shown hereon without permission from THE TECHNICAL MATERIEL CORPORATION to the user. This drawing is loaned for mutual assistance and is subject to recall at any time.

5

4

3

2

1