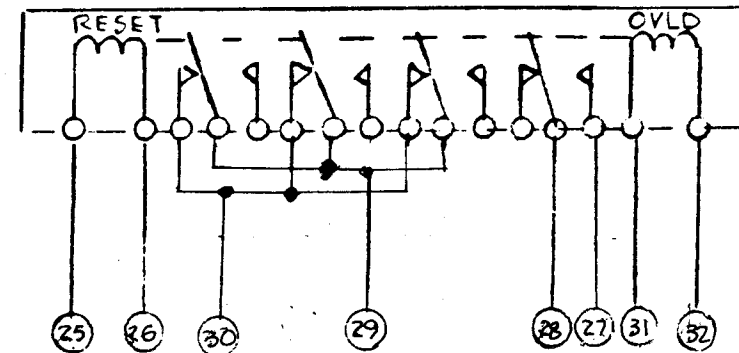
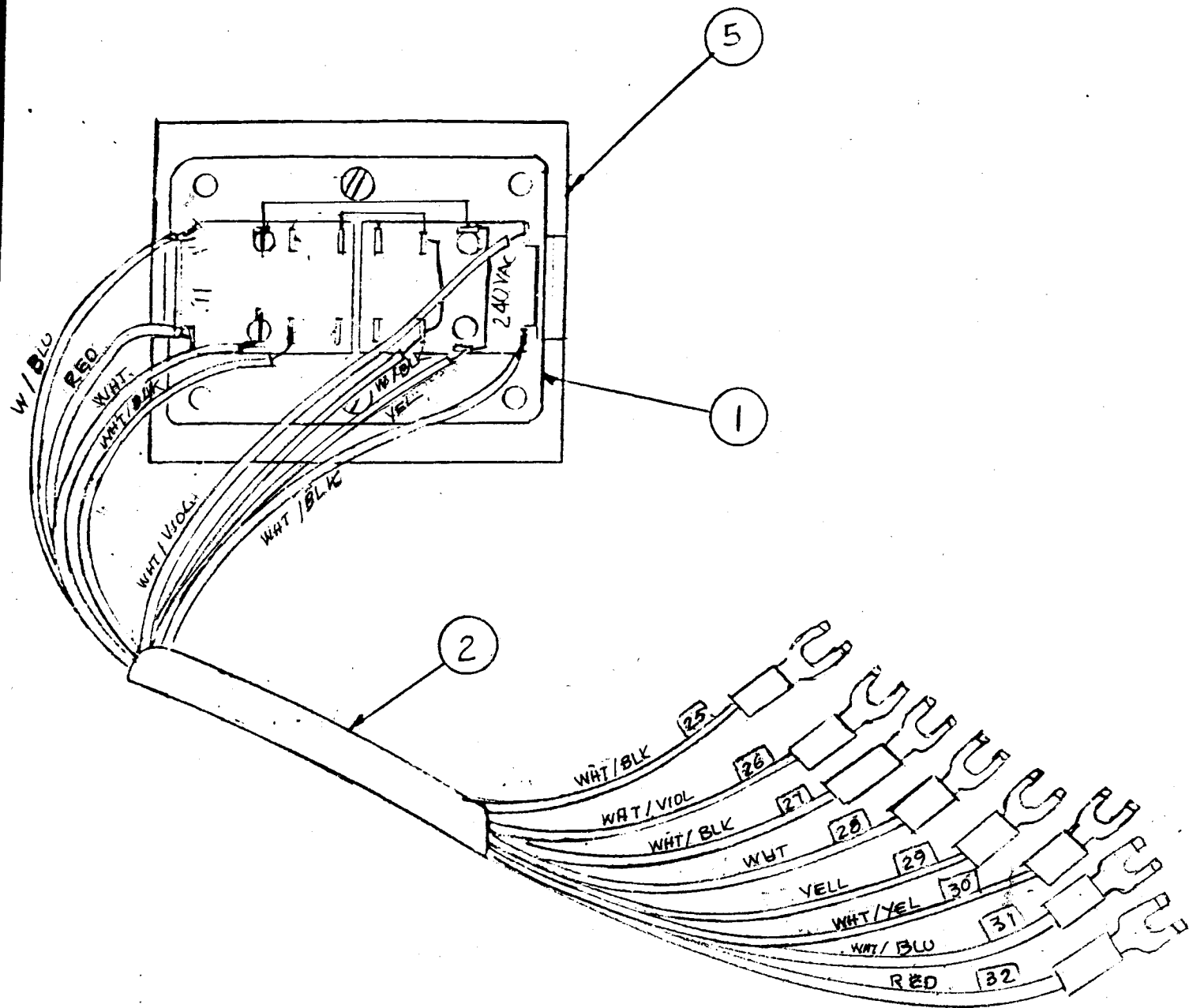


REVISIONS							
E.M.N NO	DRAFT	CHKD	ZONE	LTR	DESCRIPTION	DATE	APPROVED
					ORIGINAL RELEASE	3-26-55	

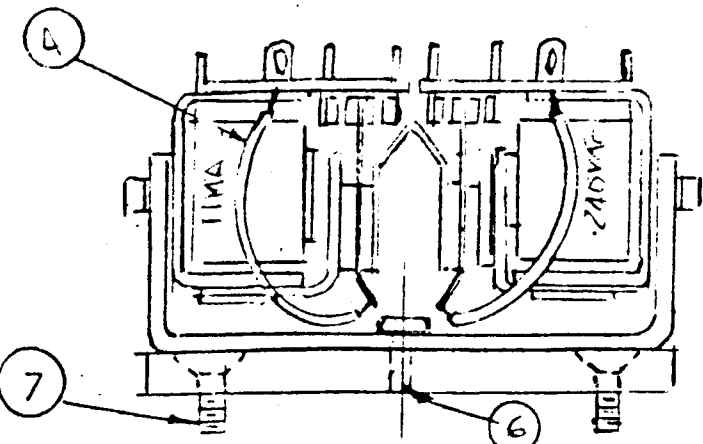


SCHEMATIC

REQ'D	ITEM	PART NUMBER	DESCRIPTION	SYM.
4	7	SCBPC440B N6	SCREW, MACH.	
2	6	SCBPO632 ENE	SCREW, MACH.	
1	5	PX 1293	PLATE INSULATOR REL. MTG	
X	4	WL-100-7	WIRE, BUSE (SIZE 22)	
X	3	BS-100	SOLDER, SOFT	
1	2	CA-526	CABLE, ASSY - AR 101	
1	1	RL 204	RELAY, ARMATURE	

LIST OF MATERIAL

FINAL APPROVAL <i>[Signature]</i>		DATE		THE TECHNICAL MATERIEL CORP. MAMARONECK, NEW YORK AR 121 ASSY. SWR OVD RELAY ASSY			
MECH. DES		DATE					
ELECT. DES		DATE					
CHECKED		DATE					
DRAWN <i>[Signature]</i>		DATE 10-17-55		SIZE	CODE IDENT. NO.	DWG NO.	ISSUE
				B	82679	A5856	Ø
SCALE				SHEET		OF	



QTY / UNIT	GPT-40K	AR-161
MODEL USED ON		ASSY NO.
APPLICATION		
CODE		

NOTICE TO PERSONS RECEIVING THIS DRAWING
 THE TECHNICAL MATERIEL CORPORATION claims proprietary right in the material disclosed hereon. This drawing is issued in confidence for engineering information only and may not be reproduced or used to manufacture anything shown hereon without permission from THE TECHNICAL MATERIEL CORPORATION to the user. This drawing is loaned for mutual assistance and is subject to recall at any time.

UNLESS OTHERWISE SPECIFIED DIMENSIONS ARE IN INCHES AND INCLUDE CHEMICALLY APPLIED OR PLATED FINISHES	
DECIMALS	FRACTIONS
X ± .05	TOLB. 1/64
.XX ± .03	ANGLES 0°-30'
.XXX ± .005	
MATERIAL	
FINISH	