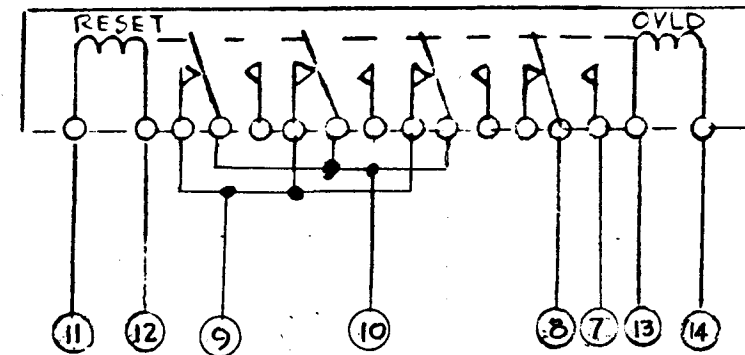
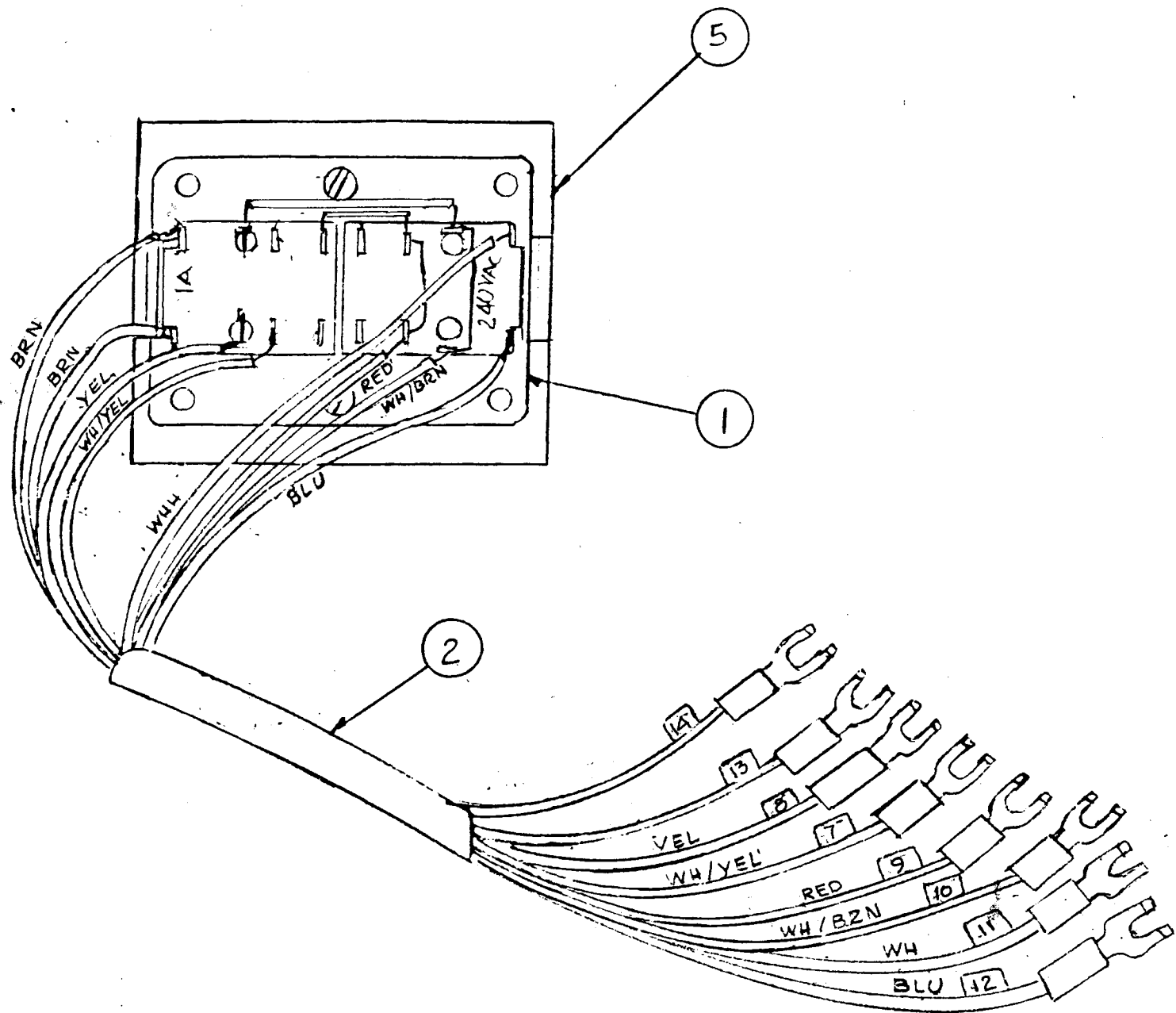


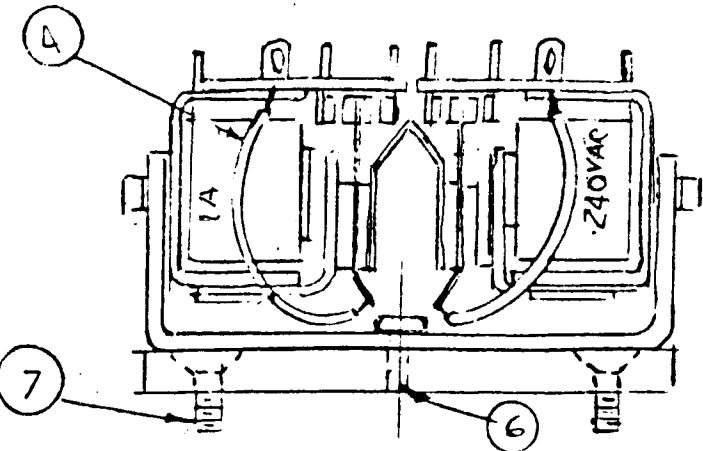
REVISIONS						DATE	APPROVED
EMN NO	DRAFT	CHKD	ZONE	LTR	DESCRIPTION		
					ORIGINAL RELEASE		



SCHEMATIC

REQ'D	ITEM	PART NUMBER	DESCRIPTION	SYM.
4	7	SCBP0440BN6	SCREW, MACH.	
2	6	SCFP0632 BNS	SCREW, MACH.	
1	5	PX 1293	PLATE INSULATOR REL. MTG	
X	4	WL-100-7	WIRE, BUSS (SIZE 22)	
X	3	BS-100	SOLDER, SOFT	
1	2	CA-441	CABLE, ASSY - AR 100	
1	1	RL 206	RELAY, ARMATURE	

LIST OF MATERIAL



QTY / UNIT	MODEL USED ON	ASS'Y NO.
	GPT-10K	AR-161
APPLICATION		
	CODE	

NOTICE TO PERSONS RECEIVING THIS DRAWING
 THE TECHNICAL MATERIEL CORPORATION claims proprietary right in the material disclosed hereon. This drawing is issued in confidence for engineering information only and may not be reproduced or used to manufacture anything shown hereon without permission from THE TECHNICAL MATERIEL CORPORATION to the user. This drawing is loaned for mutual assistance and is subject to recall at any time.

UNLESS OTHERWISE SPECIFIED DIMENSIONS ARE IN INCHES AND INCLUDE CHEMICALLY APPLIED OR PLATED FINISHES	
DECIMALS X ± .05 XX ± .01 XXX ± .005	FRACTIONS TOLS. 1/64 ANGLES 0° 30'
MATERIAL	FINISH

FINAL APPROVAL	DATE
MECH. DES	DATE
ELECT. DES	DATE
CHECKED	DATE
DRAWN	DATE

THE TECHNICAL MATERIEL CORP. MAMARONECK, NEW YORK			
AR 100 ASSY. PA PLATE OVD RELAY			
SIZE	CODE IDENT. NO.	DWG NO.	ISSUE
B	82679	A5854	1
SCALE	SHEET		OF