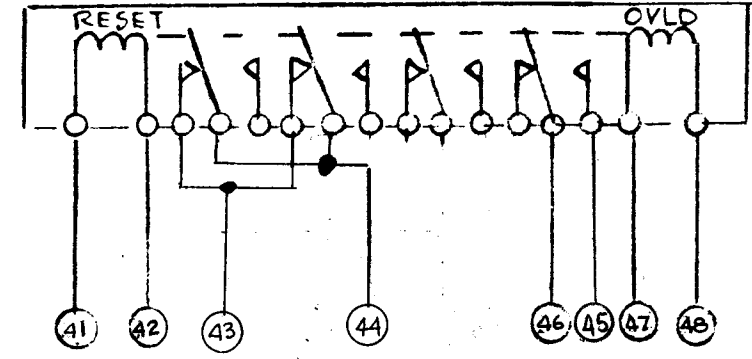
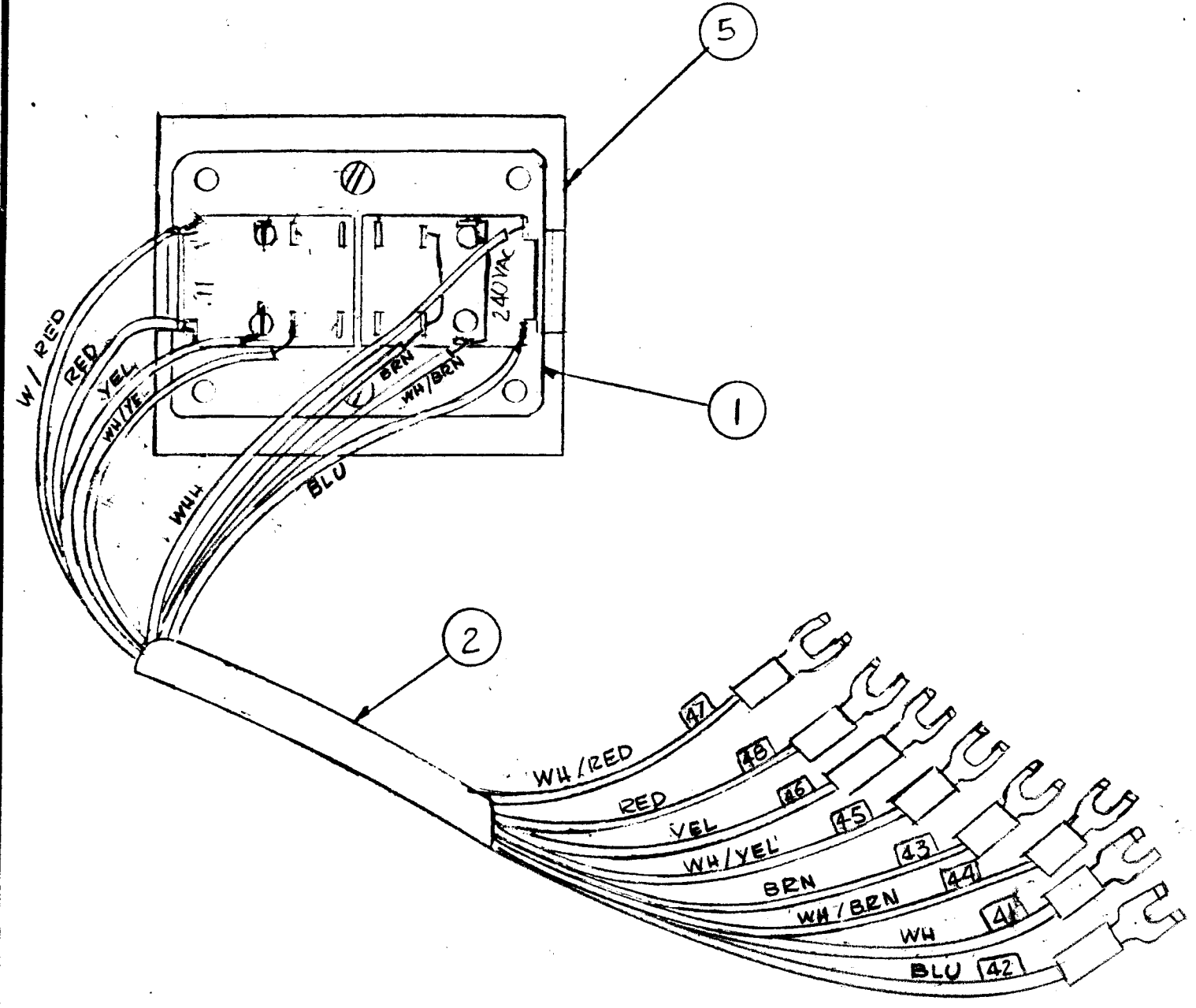


REVISIONS							
E.M.N. NO.	DRAFT	CHKD	ZONE	LTR	DESCRIPTION	DATE	APPROVED

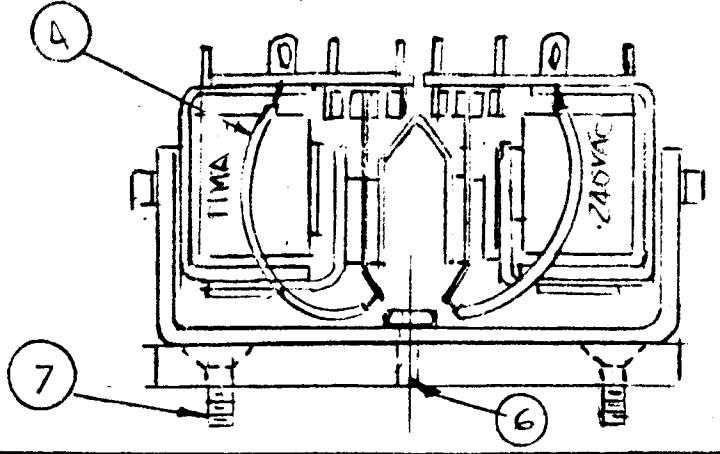
Ø ORIGINAL RELEASE  
3-26-85



SCHEMATIC

REQ'D	ITEM	PART NUMBER	DESCRIPTION	SYM.
4	7	SCBP04408N6	SCREW, MACH.	
2	6	SCBP0632ENS	SCREW, MACH.	
1	5	DX 1293	PLATE INSULATOR REL. MTG	
X	4	WL-100-7	WIRE, BUSS (SIZE .22)	
X	3	BS-100	SOLDER, SOFT	
1	2	CA-447	CABLE, ASSY - AR 107	
1	1	RL 204	RELAY, ARMATURE	

LIST OF MATERIAL



QTY / UNIT	MODEL USED ON	ASSY NO.
	GPT-10K	AR-161
APPLICATION		
	CODE	

NOTICE TO PERSONS RECEIVING THIS DRAWING  
THE TECHNICAL MATERIEL CORPORATION claims proprietary right in the material disclosed hereon. This drawing is issued in confidence for engineering information only and may not be reproduced or used to manufacture anything shown hereon without permission from THE TECHNICAL MATERIEL CORPORATION to the user. This drawing is loaned for mutual assistance and is subject to recall at any time.

UNLESS OTHERWISE SPECIFIED DIMENSIONS ARE IN INCHES AND INCLUDE CHEMICALLY APPLIED OR PLATED FINISHES	FINAL APPROVAL <i>ORR</i>	DATE
DECIMALS X ± .05 XX ± .01 .XXX ± .005	MECH. DES.	DATE
FRACTIONS TOLS. 1/64 ANGLES 0°-30'	ELECT. DES.	DATE
MATERIAL	CHECKED	DATE
FINISH	DRAWN <i>GDL</i>	DATE <i>10-17-85</i>

THE TECHNICAL MATERIEL CORP. MAMARONECK, NEW YORK			
AR 107 ASSY. IPA SCREEN OVD RELAY ASSY			
SIZE B	CODE IDENT. NO. 82679	DWG NO. A5853	ISSUE Ø
SCALE	-	SHEET	OF