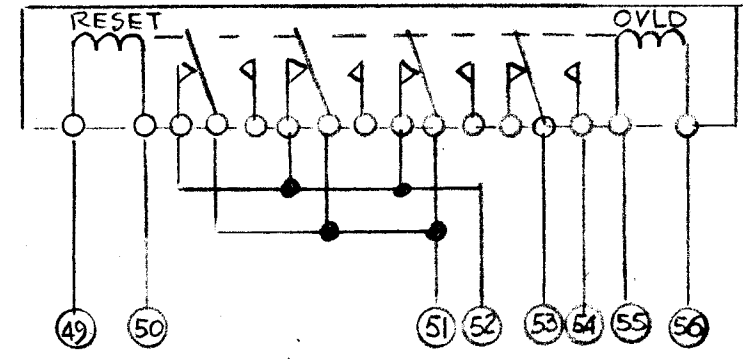
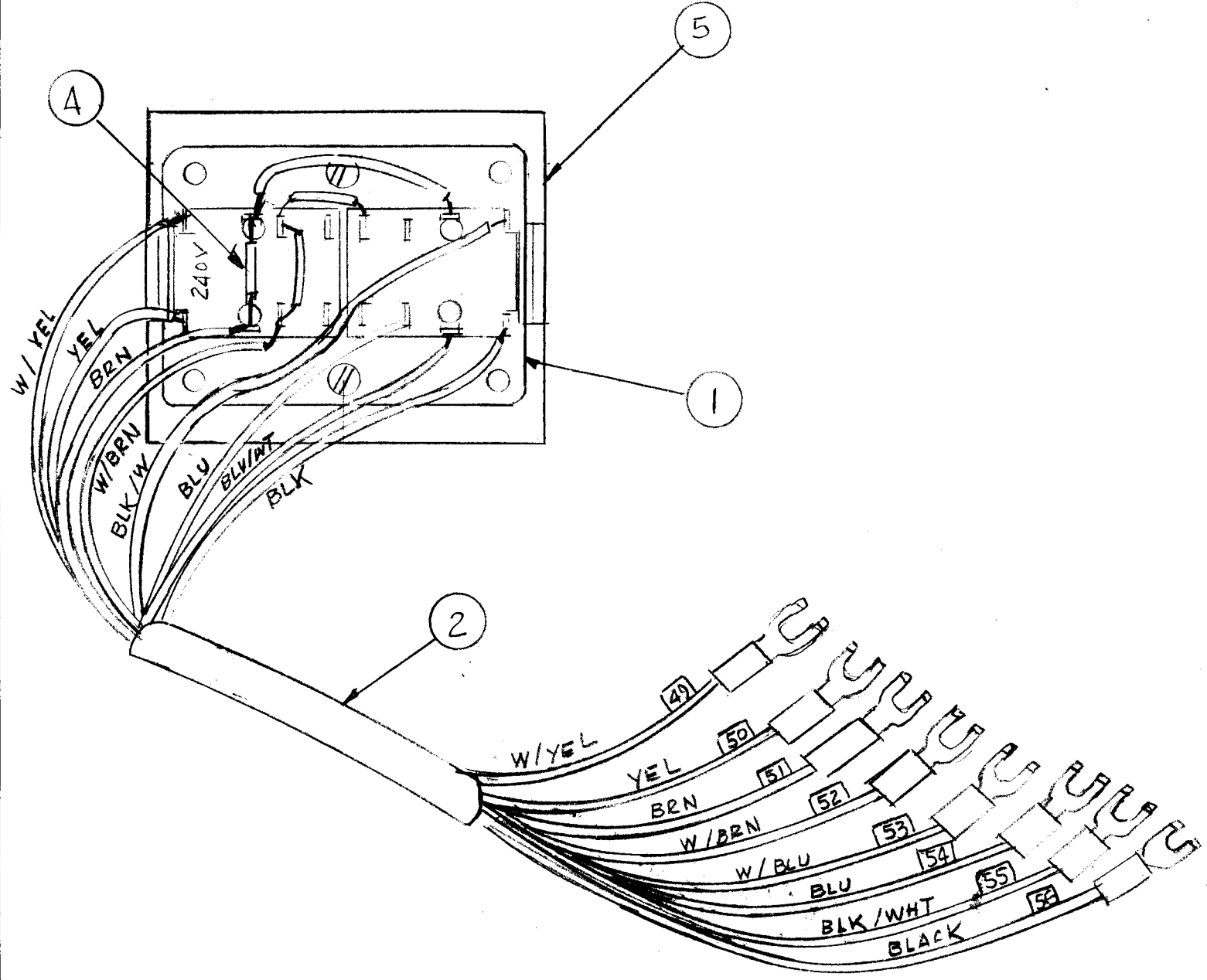


REVISIONS							
E.M.N. NO.	DRAFT	CHKD	ZONE	LTR	DESCRIPTION	DATE	APPROVED

NOTE: When supplying replacement relay RL202 a resistor change is necessary in AR161 relay panel R710 changes from 10^Ω to 30^Ω (TMC RW109-46) supplied with AR101



SCHMATIC

REQ'D	ITEM	PART NUMBER	DESCRIPTION	SYM.
1	8	RW109-46	30 ^Ω 10W RES.	
4	7	SCBP0440 BNG	SCREW, MACH.	
2	6	SCBP0632 BNS	SCREW, MACH.	
1	5	PX1293	PLATE INSULATOR REL. MTG	
X	4	WL-100-7	WIRE, BUSS (SIZE 22)	
X	3	BS-100	SOLDER, SOFT	
1	2	CA-448	CABLE, ASSY - AR101	
1	1	RL202	RELAY, ARMATURE	

LIST OF MATERIAL

THE TECHNICAL MATERIEL CORP.
MAMARONECK, NEW YORK

AR101 - ASSY.
IPA PLATE OVLD RELAY

SIZE	CODE IDENT. NO.	DWG NO.	ISSUE
B	82679	A5843	Ø

SCALE - SHEET OF

QTY / UNIT	MODEL USED ON	ASS'Y NO.
1	GPT-10K	AR-161
APPLICATION		
CODE		

NOTICE TO PERSONS RECEIVING THIS DRAWING
THE TECHNICAL MATERIEL CORPORATION claims proprietary right in the material disclosed hereon. This drawing is issued in confidence for engineering information only and may not be reproduced or used to manufacture anything shown hereon without permission from THE TECHNICAL MATERIEL CORPORATION to the user. This drawing is loaned for mutual assistance and is subject to recall at any time.

UNLESS OTHERWISE SPECIFIED DIMENSIONS ARE IN INCHES AND INCLUDE CHEMICALLY APPLIED OR PLATED FINISHES	FINAL APPROVAL	DATE
DECIMALS .X ± .05 .XX ± .01 .XXX ± .005	<i>[Signature]</i>	10/12/85
FRACTIONS 1/64 TOLS. ANGLES 0° - 30°	MECH. DES.	DATE
MATERIAL	ELECT. DES.	DATE
FINISH	CHECKED	DATE
	DRAWN	DATE
	<i>CD</i>	9/24/85

