

5

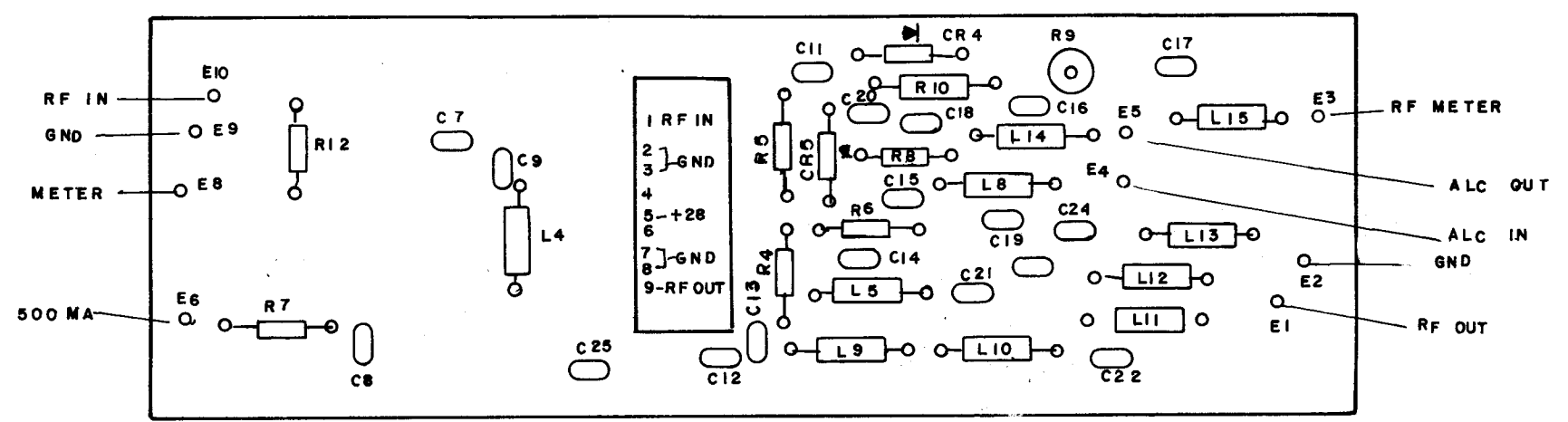
4

3

2

1

REVISIONS							
E.M.N. NO.	DRAFT	CHKD	ZONE	LTR	DESCRIPTION	DATE	APPROVED



REF: CK2268
PC 851

1		MMX - 4	
QTY / UNIT	MODEL USED ON	ASS'Y NO.	
APPLICATION			
CODE			
NOTICE TO PERSONS RECEIVING THIS DRAWING THE TECHNICAL MATERIEL CORPORATION claims proprietary right in the material disclosed hereon. This drawing is issued in confidence for engineering information only and may not be reproduced or used to manufacture anything shown hereon without permission from THE TECHNICAL MATERIEL CORPORATION to the user. This drawing is loaned for mutual assistance and is subject to recall at any time.			

UNLESS OTHERWISE SPECIFIED DIMENSIONS ARE IN INCHES AND INCLUDE CHEMICALLY APPLIED OR PLATED FINISHES	
DECIMALS .X ± .05 .XX ± .01 .XXX ± .005	FRACTIONS 1/64 ANGLES 0° - 30'
MATERIAL	
FINISH	

REQ'D	ITEM	PART NUMBER	DESCRIPTION	SYM.
LIST OF MATERIAL				
FINAL APPROVAL _____ DATE _____ MECH. DES. _____ DATE _____ ELECT. DES. _____ DATE _____ CHECKED _____ DATE _____ DRAWN G.D.L. DATE 4-22-59				
THE TECHNICAL MATERIEL CORP. MAMARONECK, NEW YORK				
ASSEMBLY PC. BD. RF OUTPUT				
SIZE	CODE IDENT. NO.	DWG NO.	ISSUE	
B	82679	A 5819		
SCALE	SHEET		OF	

5

4

3

2

1