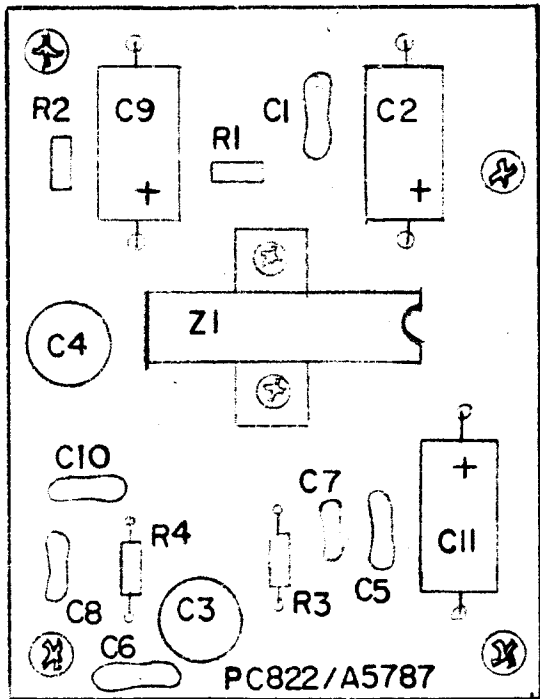
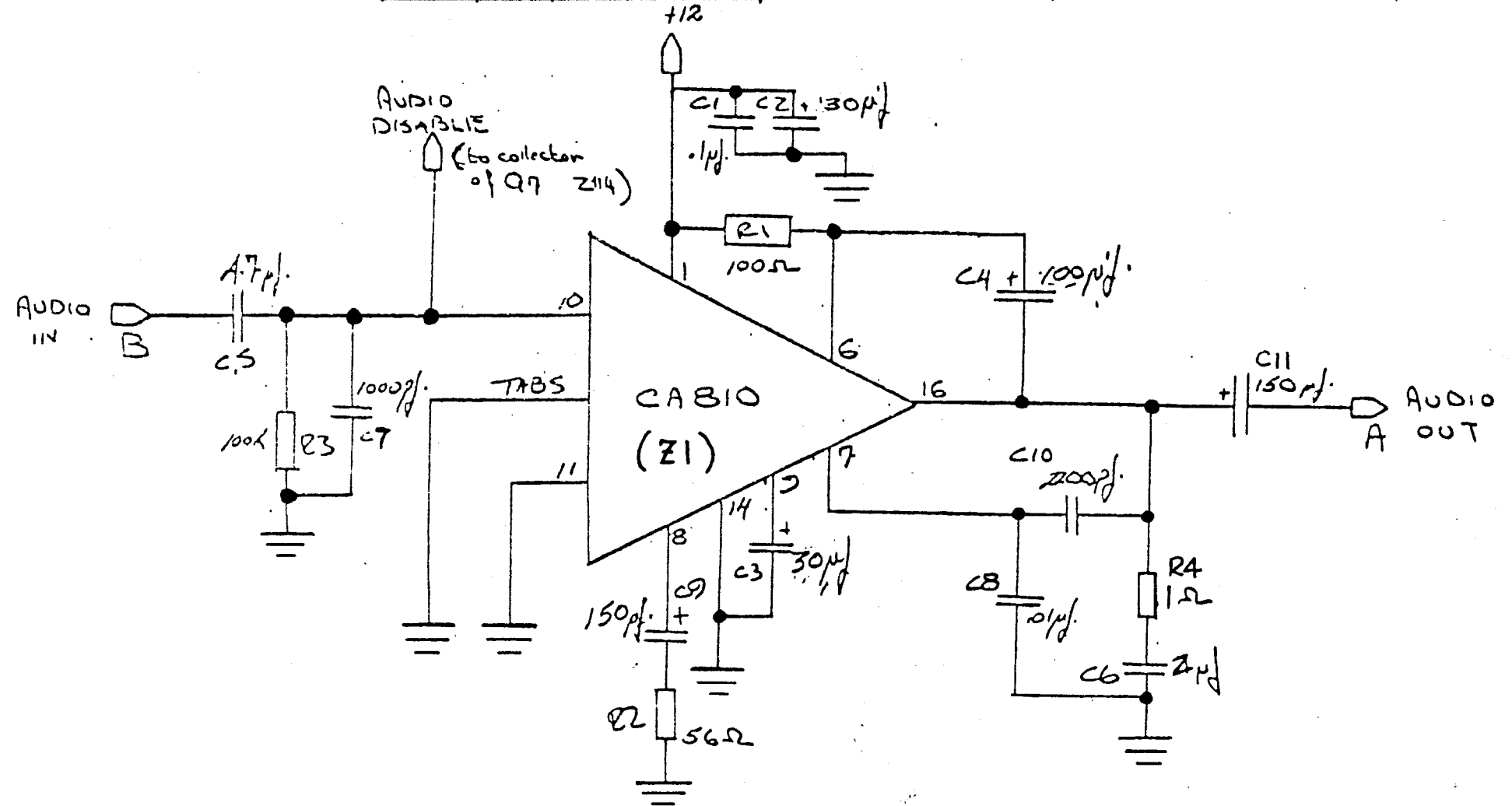


REVISIONS							
E.M.N. NO.	DRAFT	CHKD	ZONE	LTR	DESCRIPTION	DATE	APPROVED
					ORIGINAL RELEASE for Production	1-14-81	



QTY / UNIT	MODEL USED ON	ASS'Y NO.
1	GPR-110C	P/O Z116
1	GPR-110C	P/O Z115
1	GPR-110C	P/O Z114

APPLICATION	
CODE	

NOTICE TO PERSONS RECEIVING THIS DRAWING
 THE TECHNICAL MATERIEL CORPORATION claims proprietary right in the material disclosed hereon. This drawing is issued in confidence for engineering information only and may not be reproduced or used to manufacture anything shown hereon without permission from THE TECHNICAL MATERIEL CORPORATION to the user. This drawing is loaned for mutual assistance and is subject to recall at any time.

UNLESS OTHERWISE SPECIFIED DIMENSIONS ARE IN INCHES AND INCLUDE CHEMICALLY APPLIED OR PLATED FINISHES

DECIMALS: .X ± .05, .XX ± .01, .XXX ± .005
 FRACTIONS: 1/64, ANGLES: 0°-30'

MATERIAL: _____
 FINISH: _____

REQ'D	ITEM	PART NUMBER	DESCRIPTION	SYM.
LIST OF MATERIAL				
THE TECHNICAL MATERIEL CORP. MAMARONECK, NEW YORK				
AUDIO AMPLIFIER ASS'Y PART/OF Z114, Z115, Z116				
FINAL APPROVAL	DATE	SIZE: B CODE IDENT. NO.: 82679 DWG NO.: A5787 SHEET OF: _____		
MECH. DES.	DATE			
ELECT. DES.	DATE			
CHECKED	DATE			
DRAWN	DATE			
SCALE		ISSUE: \emptyset		