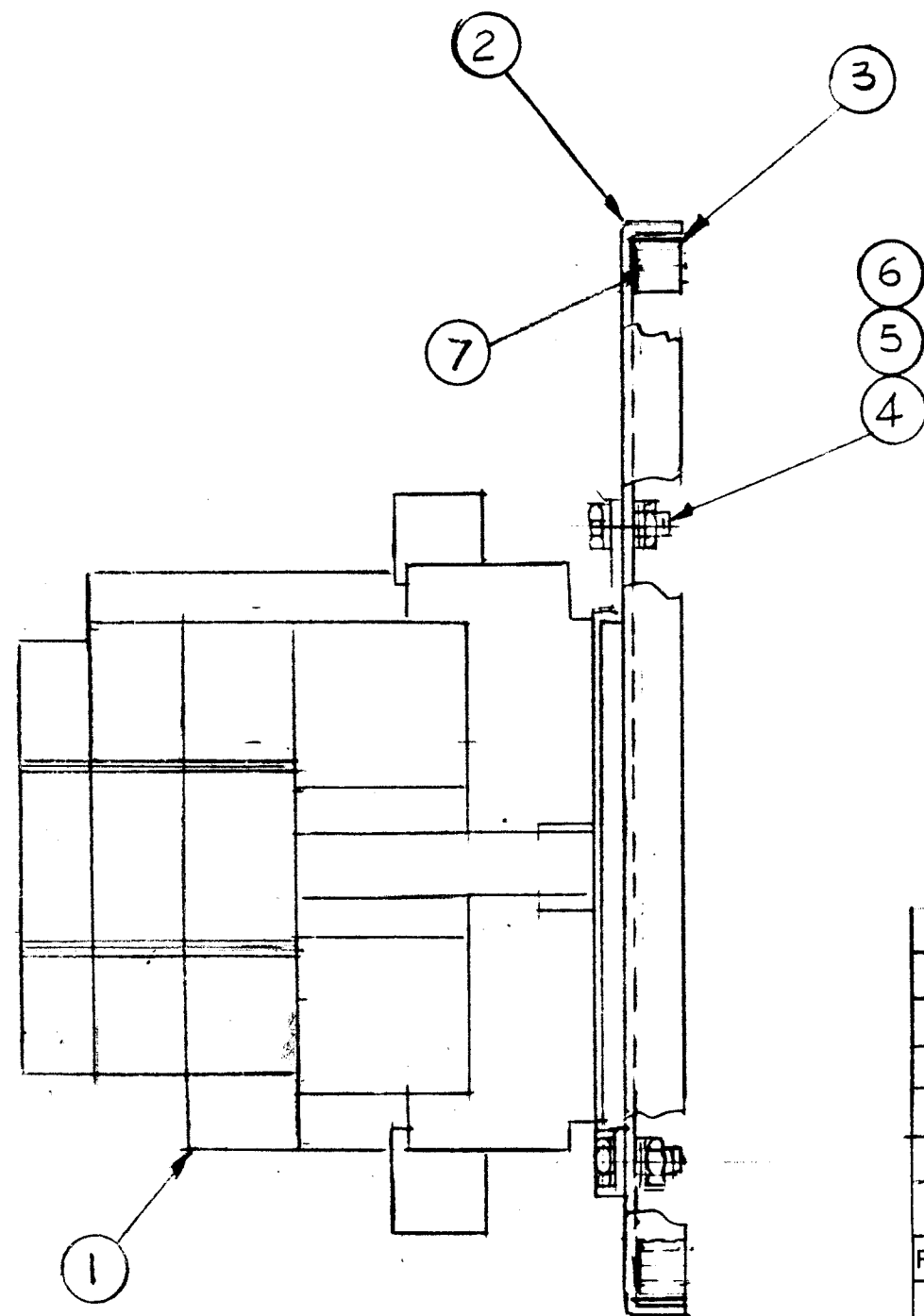
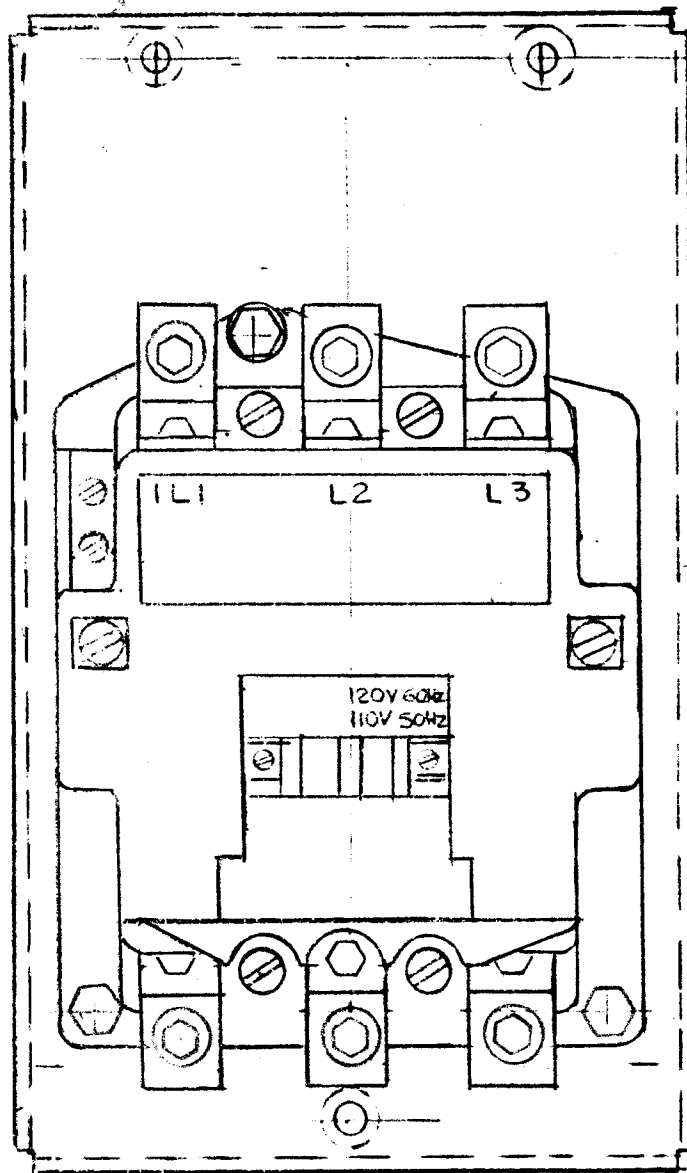


REVISIONS							
E.M.N. NO.	DRAFT	CHKD	ZONE	LTR	DESCRIPTION	DATE	APPROVED
	32			Ø	ORIGINAL RELEASE FOR PRODUCTION	12-8-80	



REQ'D	ITEM	PART NUMBER	DESCRIPTION	SYM.
X	7	GL106	COMPOUND	
5	6	FW25HBN	FLAT, WASHER	
3	5	LW25MRN	LOCK, WASHER	
3	4	SCHH25208M0	SCREW, MACHINE	
3	3	TE117-98	SPACER	
1	2	MS7058	PLATE, MTG RELAY	
1	1	PO339	RELAY, 3 POLE	

LIST OF MATERIAL

1	GPT-40K	
QTY / UNIT	MODEL USED ON	ASS'Y NO.
APPLICATION		
	CODE	

NOTICE TO PERSONS RECEIVING THIS DRAWING
 THE TECHNICAL MATERIEL CORPORATION claims proprietary right in the material disclosed herein. This drawing is issued in confidence for engineering information only and may not be reproduced or used to manufacture anything shown hereon without permission from THE TECHNICAL MATERIEL CORPORATION to the user. This drawing is loaned for mutual assistance and is subject to recall at any time.

UNLESS OTHERWISE SPECIFIED DIMENSIONS ARE IN INCHES AND INCLUDE CHEMICALLY APPLIED OR PLATED FINISHES	FINAL APPROVAL	DATE
DECIMALS .X ± .05 .XX ± .01 .XXX ± .005	MECH. DES.	DATE
FRACTIONS 1/64 ANGLES 0°-30'	ELECT. DES.	DATE
MATERIAL	CHECKED	DATE
FINISH	DRAWN	DATE
	G.D.L.	

THE TECHNICAL MATERIEL CORP. MAMARONECK, NEW YORK			
ASS'Y, 3 POLE RELAY RL138-3			
SIZE	CODE IDENT. NO.	DWG NO.	ISSUE
B	82679	A5784	Ø
SCALE	1/2	SHEET	OF