

5

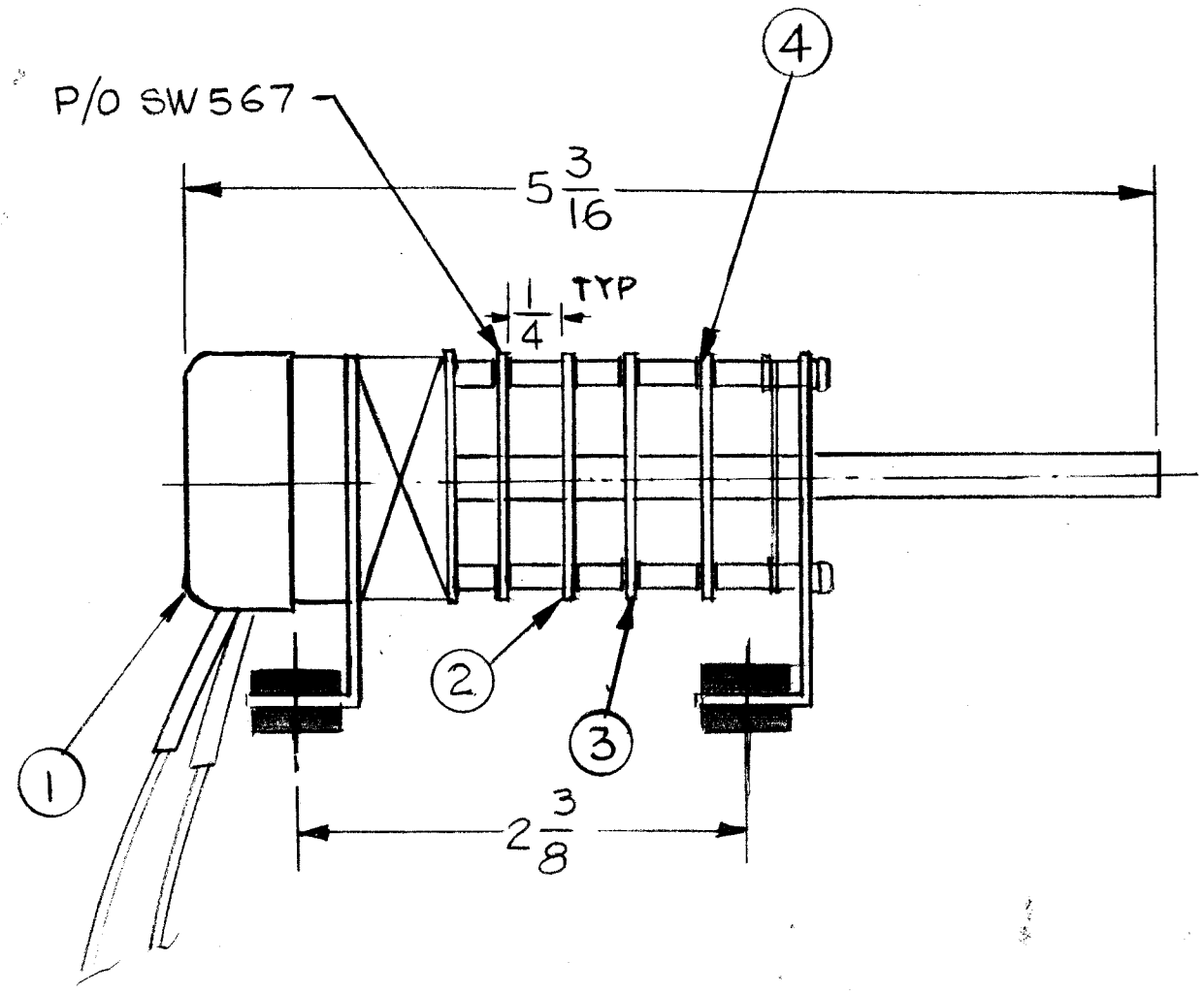
4

3

2

1

REVISIONS							
E.M.N. NO.	DRAFT	CHKD	ZONE	LTR	DESCRIPTION	DATE	APPROVED
	GDL	WJ		Ø	ORIGINAL RELEASE FOR PRODUCTION	6-5-78	*



REQ'D	ITEM	PART NUMBER	DESCRIPTION	SYM.
1	4	WS 154	WAFER, SWITCH	SI14A
1	3	WS 153	WAFER, SWITCH	SI14B
2	2	WS 152	WAFER, SWITCH	SI14C
1	1	SW 567	SWITCH ROTARY	

LIST OF MATERIAL

1	MMXR-2B	
QTY / UNIT	MODEL USED ON	ASS'Y NO.
APPLICATION		
	CODE	

**NOTICE TO PERSONS RECEIVING THIS DRAWING**  
 THE TECHNICAL MATERIEL CORPORATION claims proprietary right in the material disclosed hereon. This drawing is issued in confidence for engineering information only and may not be reproduced or used to manufacture anything shown hereon without permission from THE TECHNICAL MATERIEL CORPORATION to the user. This drawing is loaned for mutual assistance and is subject to recall at any time.

UNLESS OTHERWISE SPECIFIED DIMENSIONS ARE IN INCHES AND INCLUDE CHEMICALLY APPLIED OR PLATED FINISHES		FINAL APPROVAL	DATE
DECIMALS .X ± .05 .XX ± .01 .XXX ± .005		MECH. DES.	DATE
FRACTIONS 1/64 ANGLES 0° - 30'		ELECT. DES.	DATE
MATERIAL		CHECKED	DATE
FINISH		DRAWN	DATE

THE TECHNICAL MATERIEL CORP. MAMARONECK, NEW YORK			
ASS'Y, SWITCH ROTARY MODE (SI14)			
SIZE	CODE IDENT. NO.	DWG NO.	ISSUE
B	82679	A 5753	Ø
SCALE 1:1		SHEET OF	

5

4

3

2

1