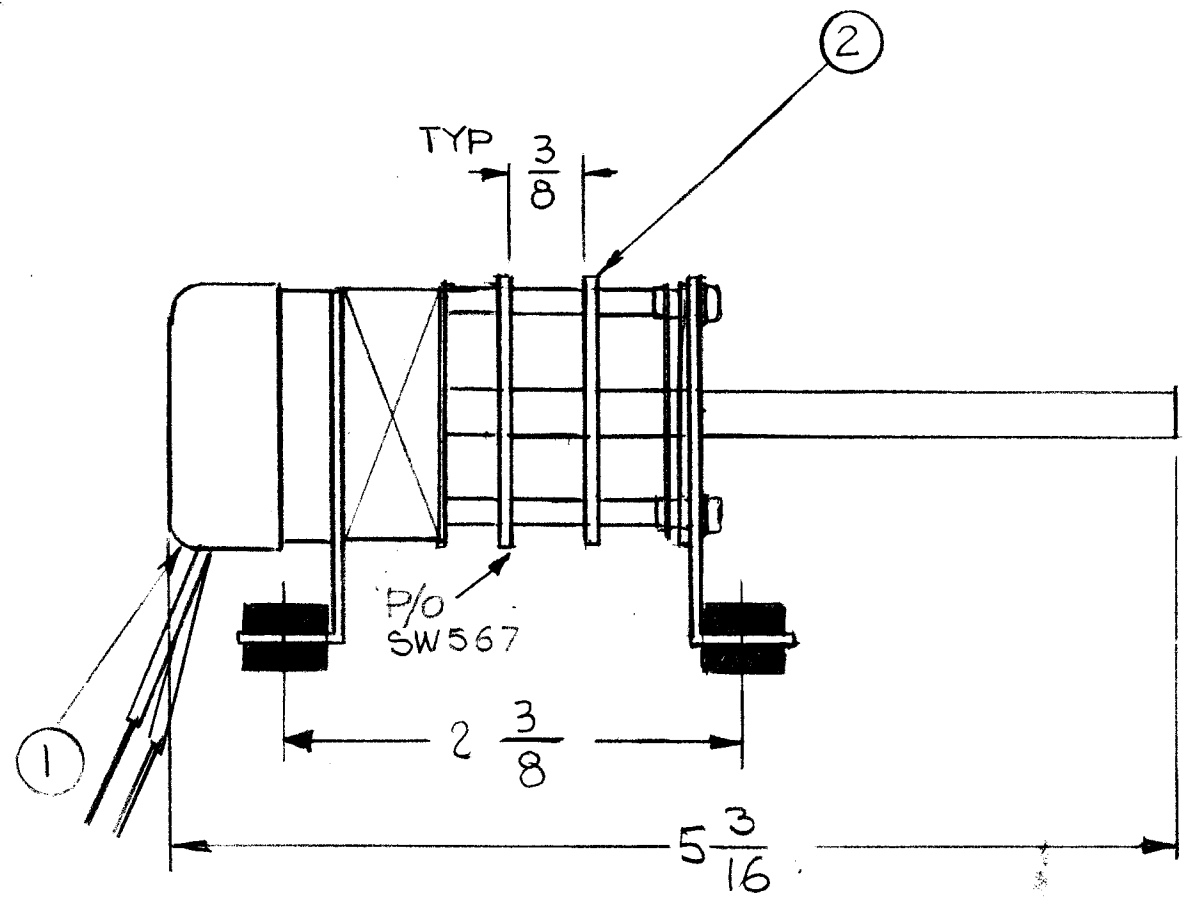


REVISIONS							
E.M.N. NO.	DRAFT	CHKD	ZONE	LTR	DESCRIPTION	DATE	APPROVED
A	GDL	WJS		Ø	ORIGINAL RELEASE FOR PRODUCTION	6-5-78	*



REQ'D	ITEM	PART NUMBER	DESCRIPTION	SYM.
1	2	WS150	WAFER SWITCH	S105B
1	1	SW567	SWITCH ROTARY	

LIST OF MATERIAL

1	MMXR-2B	
QTY / UNIT	MODEL USED ON	ASS'Y NO.
APPLICATION		
	CODE	

**NOTICE TO PERSONS RECEIVING THIS DRAWING**  
 THE TECHNICAL MATERIEL CORPORATION claims proprietary right in the material disclosed hereon. This drawing is issued in confidence for engineering information only and may not be reproduced or used to manufacture anything shown hereon without permission from THE TECHNICAL MATERIEL CORPORATION to the user. This drawing is loaned for mutual assistance and is subject to recall at any time.

UNLESS OTHERWISE SPECIFIED DIMENSIONS ARE IN INCHES AND INCLUDE CHEMICALLY APPLIED OR PLATED FINISHES		FINAL APPROVAL * [Signature]	DATE 6/2/78
DECIMALS .X ± .05 .XX ± .01 .XXX ± .005	FRACTIONS 1/64 ANGLES 0° -30'	ELECT. DES.	DATE
MATERIAL	FINISH	DRAWN GDL	DATE 9-21-77

THE TECHNICAL MATERIEL CORP. MAMARONECK, NEW YORK			
ASSY, SWITCH ROTARY 100KHZ (S105)			
SIZE B	CODE IDENT. NO. 82679	DWG NO. A 5752	ISSUE Ø
SCALE 1:1		SHEET OF	