

5

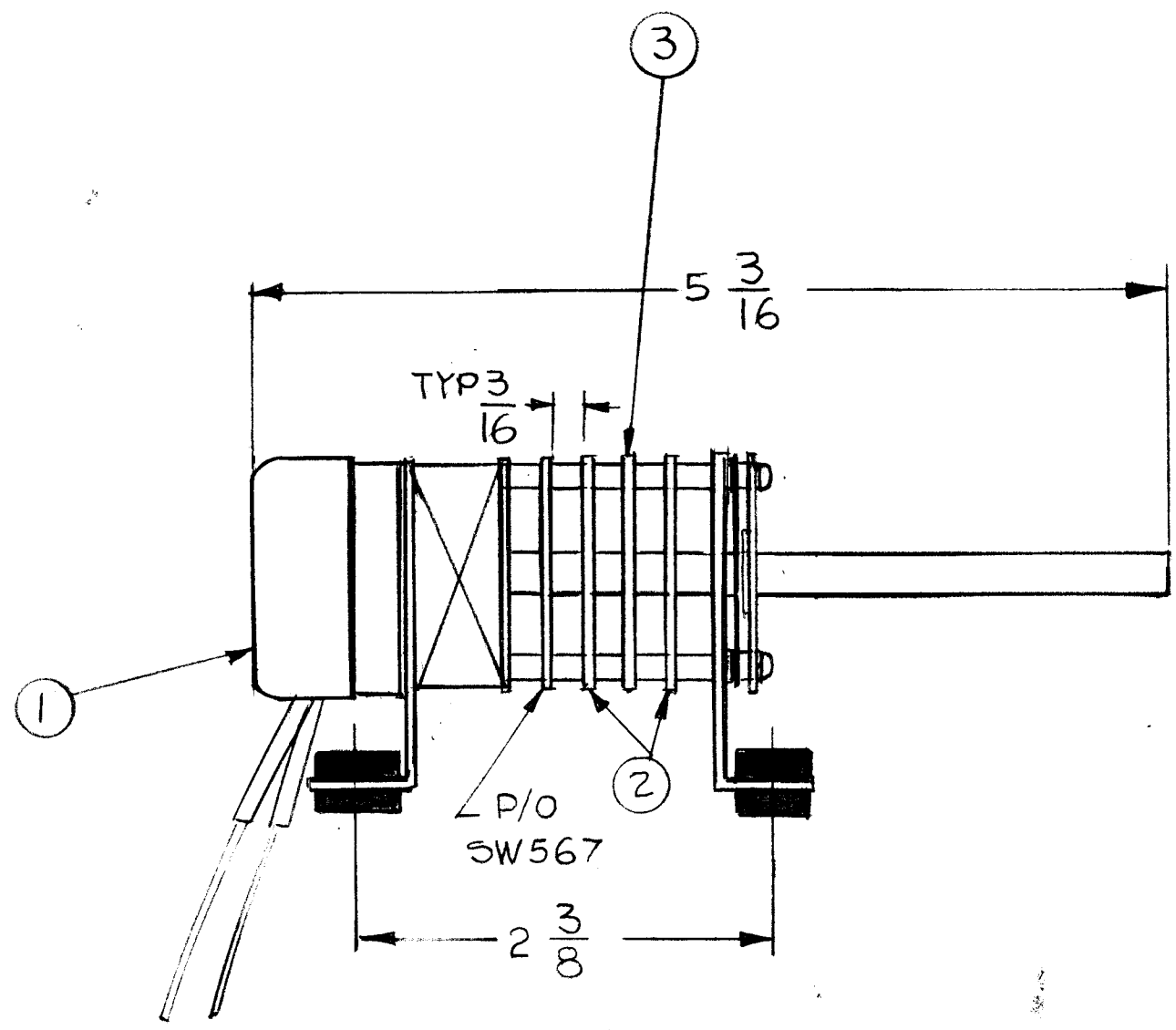
4

3

2

1

REVISIONS						DATE	APPROVED
E.M.N. NO.	DRAFT	CHKD	ZONE	LTR	DESCRIPTION		
+	GDL	WJB		Ø	ORIGINAL RELEASE FOR PRODUCTION	6-5-78	*



REQ'D ITEM	PART NUMBER	DESCRIPTION	SYM.
1	3	WS 150	WAFER, SWITCH
2	2	WS 149	WAFER, SWITCH
1	1	SW 567	SWITCH ROTARY

LIST OF MATERIAL

1	MMXR-2B	
QTY / UNIT	MODEL USED ON	ASS'Y NO.
APPLICATION		
	CODE	

NOTICE TO PERSONS RECEIVING THIS DRAWING
 THE TECHNICAL MATERIEL CORPORATION claims proprietary right in the material disclosed hereon. This drawing is issued in confidence for engineering information only and may not be reproduced or used to manufacture anything shown hereon without permission from THE TECHNICAL MATERIEL CORPORATION to the user. This drawing is loaned for mutual assistance and is subject to recall at any time.

UNLESS OTHERWISE SPECIFIED DIMENSIONS ARE IN INCHES AND INCLUDE CHEMICALLY APPLIED OR PLATED FINISHES		FINAL APPROVAL	DATE
DECIMALS .X ± .05 .XX ± .01 .XXX ± .005		* <i>[Signature]</i>	DATE
FRACTIONS 1/64 ANGLES 0° -30'			DATE
MATERIAL		DRAWN	DATE
FINISH		GDL	9-21-77

THE TECHNICAL MATERIEL CORP. MAMARONECK, NEW YORK			
ASSY, SWITCH ROTARY 1MHz			
SIZE	CODE IDENT. NO.	DWG NO.	ISSUE
B	82679	A5750	Ø
SCALE 1:1		SHEET OF	

5

4

3

2

1