

5

4

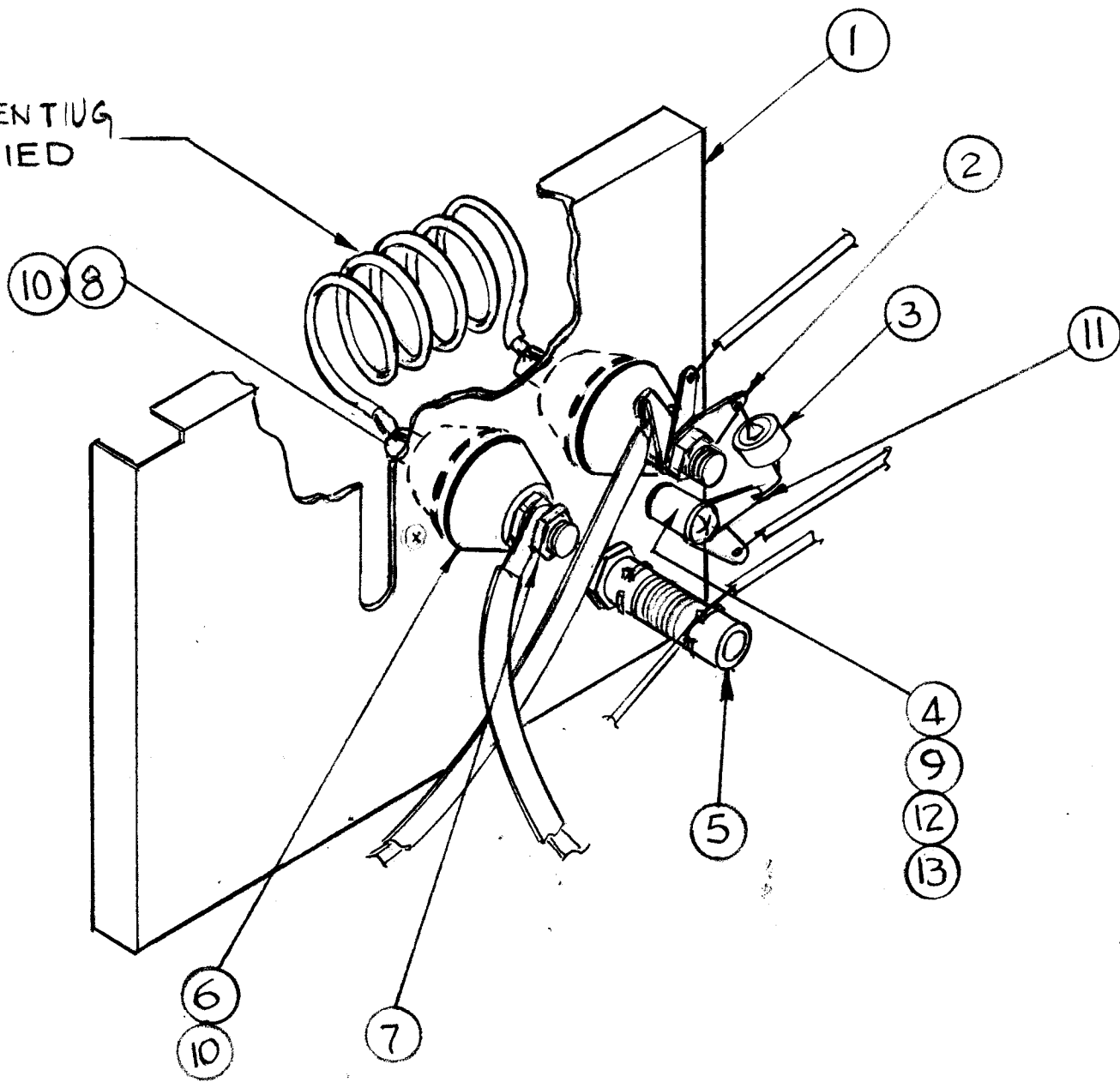
3

2

1

REVISIONS							
E.M.N. NO.	DRAFT	CHKD	ZONE	LTR	DESCRIPTION	DATE	APPROVED
				X1	ITEM 9 WAS 0632BN12 QTY WAS 1	11-4-76	
				Ø	ORIGINAL RELEASE FOR PRODUCTION	1-13-78	

USE EXISTING IUG COIL MODIFIED



1	13	NTH 632BN6	NUT, HEX	
1	12	GA 137-3	NEOPRENE GASKET	
1	11	TE104-2	TERMINAL LOCKING	
4	10	GA 138-1	GASKET	
2	9	SCBP0632BN4	SCREW, MACHINE	
2	8	NS112-1	INSULATOR, FEED THRU	
4	7	NTH10-24BN12	NUT, HEX	
2	6	NS112-2	INSULATOR, FEED THRU	
1	5	CL475-12	COIL, RF	
1	4	NS3WQ103	INSULATOR, PILLAR SQUARE	
1	3	CC109-7	CAPACITOR, FIXED	
3	2	TE104-5	TERMINAL LOCKING	
1	1	MS6744	PLATE, SHIELD TUBE	
REQ'D ITEM		PART NUMBER	DESCRIPTION	SYM.

LIST OF MATERIAL

1	TMA-1KC	
QTY / UNIT	MODEL USED ON	ASS'Y NO.
APPLICATION		
	CODE	

**NOTICE TO PERSONS RECEIVING THIS DRAWING**  
 THE TECHNICAL MATERIEL CORPORATION claims proprietary right in the material disclosed hereon. This drawing is issued in confidence for engineering information only and may not be reproduced or used to manufacture anything shown hereon without permission from THE TECHNICAL MATERIEL CORPORATION to the user. This drawing is loaned for mutual assistance and is subject to recall at any time.

UNLESS OTHERWISE SPECIFIED DIMENSIONS ARE IN INCHES AND INCLUDE CHEMICALLY APPLIED OR PLATED FINISHES		FINAL APPROVAL <i>GDL</i>	DATE <i>10-22-76</i>
DECIMALS .X ± .05 .XX ± .01 .XXX ± .005	FRACTIONS 1/64 ANGLES 0° -30'	MECH. DES.	DATE
MATERIAL		ELECT. DES.	DATE
FINISH		CHECKED	DATE
		DRAWN <i>GDL</i>	DATE <i>10-22-76</i>

THE TECHNICAL MATERIEL CORP. MAMARONECK, NEW YORK			
HIGH FREQ. TANK ASSY			
SIZE B	CODE IDENT. NO. 82679	DWG NO. A 5652	ISSUE Ø
SCALE 1/2		SHEET OF	

5

4

3

2

1