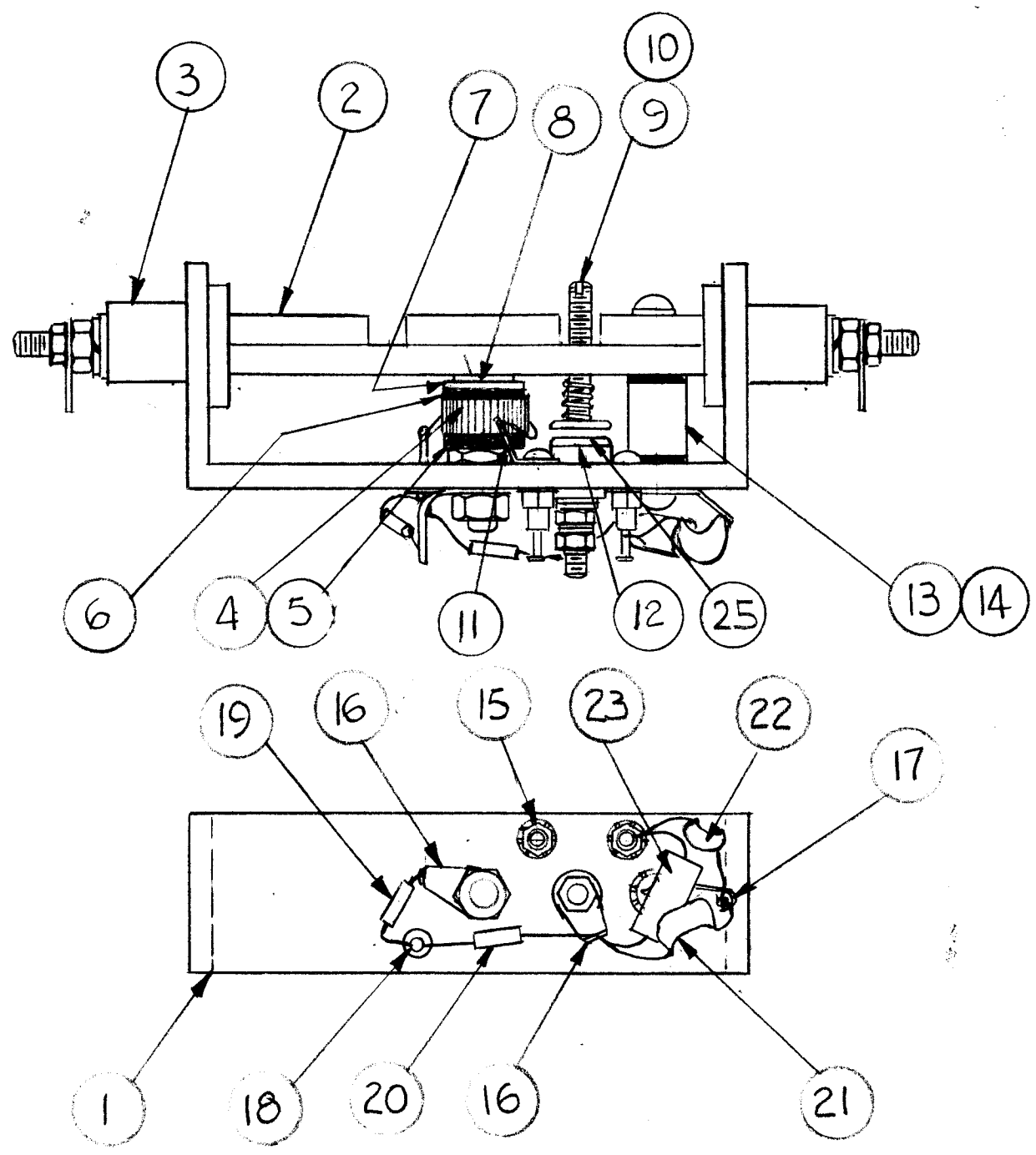


REVISIONS							
E.M.N. NO.	DRAFT	CHKD	ZONE	LTR	DESCRIPTION	DATE	APPROVED
				X	EXP. RELEASE		
	1			Ø	ORIGINAL RELEASE FOR PRODUCTION	3-13-75	



REQ'D	ITEM	PART NUMBER	DESCRIPTION	SYM.
1	25	MS6574-1	PLATE, CAPACITOR	
1	24	BS100	SOLDER TIN ALLOY	
1	23	CL275-471	COIL, RF	
1	22	CC100-43	CAPACITOR FIXED, COMP	
1	21	CMIII F221J	CAPACITOR FIXED, COMP	
1	20	IN100	SCOND, DEV. DIODE	
1	19	RC07GF100J	RESISTOR, FIXED	
1	18	TE193 B459	TERMINAL FEED THROUGH	
1	17	TE104-1	TERMINAL, LOCKING	
2	16	TE110-4	LUG, SOLDER	
2	15	TE115-1	TERMINAL, TURRET	
2	14	WA101-4	WASHER, FIBRE FLAT	
1	13	NS03W104	INSULATOR, STANDOFF ROUND	
2	12	PX1250	INSULATION CAPACITOR	
1	11	TE110-1	LUG, SOLDER	
1	10	SP147	SPRING, HELICAL, COMPR	
1	9	A5612	ASSY PISTON CAPACITOR	
1	8	SCI431032B18	SCRE MACHINE NYLON	
2	7	MS6574-2	PLATE COIL AND CAP	
1	6	WA101-6	WASHER, FIBRE FLAT	
1	5	WA101-7	WASHER, FIBRE FLAT	
1	4	TZ235	TRANSFORMER R.F.	
2	3	PX1249	INSULATOR, OUTPUT COUPLER	
1	2	MS6575	OUTPUT COUPLER FEED THRU	
1	1	MS6570	PLATE, OUTPUT MTG	

REF CK2085

1	TMAC-1K	
QTY / UNIT	MODEL USED ON	ASS'Y NO.
APPLICATION		
	CODE	
<p><b>NOTICE TO PERSONS RECEIVING THIS DRAWING</b>          THE TECHNICAL MATERIEL CORPORATION claims proprietary right in the material disclosed hereon. This drawing is issued in confidence for engineering information only and may not be reproduced or used to manufacture anything shown hereon without permission from THE TECHNICAL MATERIEL CORPORATION to the user. This drawing is loaned for mutual assistance and is subject to recall at any time.</p>		

UNLESS OTHERWISE SPECIFIED DIMENSIONS ARE IN INCHES AND INCLUDE CHEMICALLY APPLIED OR PLATED FINISHES		FINAL APPROVAL <i>[Signature]</i>	DATE 3/13/75
DECIMALS .X ± .05 .XX ± .01 .XXX ± .005	FRACTIONS 1/64 TOLS. ANGLES 0° - 30'	MECH. DES. ELECT. DES.	DATE 2-7-75
MATERIAL		CHECKED E. IANNUZZI	DATE 2-7-75
FINISH		DRAWN G.D.L.	DATE 12-5-74

LIST OF MATERIAL			
THE TECHNICAL MATERIEL CORP. MAMARONECK, NEW YORK			
ASSY D.C. COUPLER			
SIZE B	CODE IDENT. NO. 82679	DWG NO. A5611	ISSUE Ø
SCALE 1:1		SHEET OF	