

5

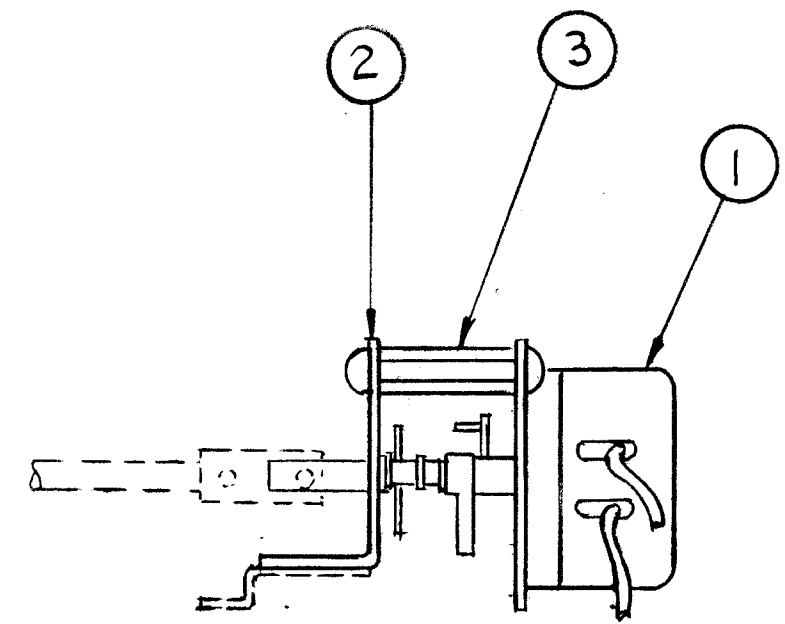
4

3

2

1

| REVISIONS  |       |      |      |     |                                 |          |          |
|------------|-------|------|------|-----|---------------------------------|----------|----------|
| E.M.N. NO. | DRAFT | CHKD | ZONE | LTR | DESCRIPTION                     | DATE     | APPROVED |
|            | GDL   |      |      | X   | EXP RELEASE                     | 10-15-74 |          |
|            | J.P.  |      |      | Ø   | ORIGINAL RELEASE FOR PRODUCTION | 5/20/75  |          |



| REQ'D | ITEM | PART NUMBER    | DESCRIPTION      | SYM. |
|-------|------|----------------|------------------|------|
| 2     | 3    | TE0440AE.750H3 | SPACER, THREADED |      |
| 1     | 2    | MS 65 61       | BRACKET, DETENT  |      |
| 1     | 1    | SZ 105         | SOLENOID, ROTARY |      |

LIST OF MATERIAL

|             |               |           |
|-------------|---------------|-----------|
| 1           | GPR-110       | (KIT404)  |
| QTY / UNIT  | MODEL USED ON | ASS'Y NO. |
| APPLICATION |               |           |
|             | CODE          |           |

**NOTICE TO PERSONS RECEIVING THIS DRAWING**  
 THE TECHNICAL MATERIEL CORPORATION claims proprietary right in the material disclosed hereon. This drawing is issued in confidence for engineering information only and may not be reproduced or used to manufacture anything shown hereon without permission from THE TECHNICAL MATERIEL CORPORATION to the user. This drawing is loaned for mutual assistance and is subject to recall at any time.

UNLESS OTHERWISE SPECIFIED DIMENSIONS ARE IN INCHES AND INCLUDE CHEMICALLY APPLIED OR PLATED FINISHES

DECIMALS: .X ± .05, .XX ± .01, .XXX ± .005  
 FRACTIONS: 1/64  
 TOLS. ANGLES: 0° - 30'

MATERIAL

FINISH

FINAL APPROVAL: *[Signature]* DATE: 5/20/75  
 MECH. DES. DATE  
 ELECT. DES. DATE  
 CHECKED: *[Signature]* DATE  
 DRAWN: G. DE LUCIA DATE: 10-18-74

**THE TECHNICAL MATERIEL CORP.**  
 MAMARONECK, NEW YORK

ASS'Y, SWITCHING  
 TUNABLE IF

|      |                 |         |       |
|------|-----------------|---------|-------|
| SIZE | CODE IDENT. NO. | DWG NO. | ISSUE |
| B    | 82679           | A 5606  | Ø     |

SCALE 1:1 SHEET OF

5

4

3

2

1