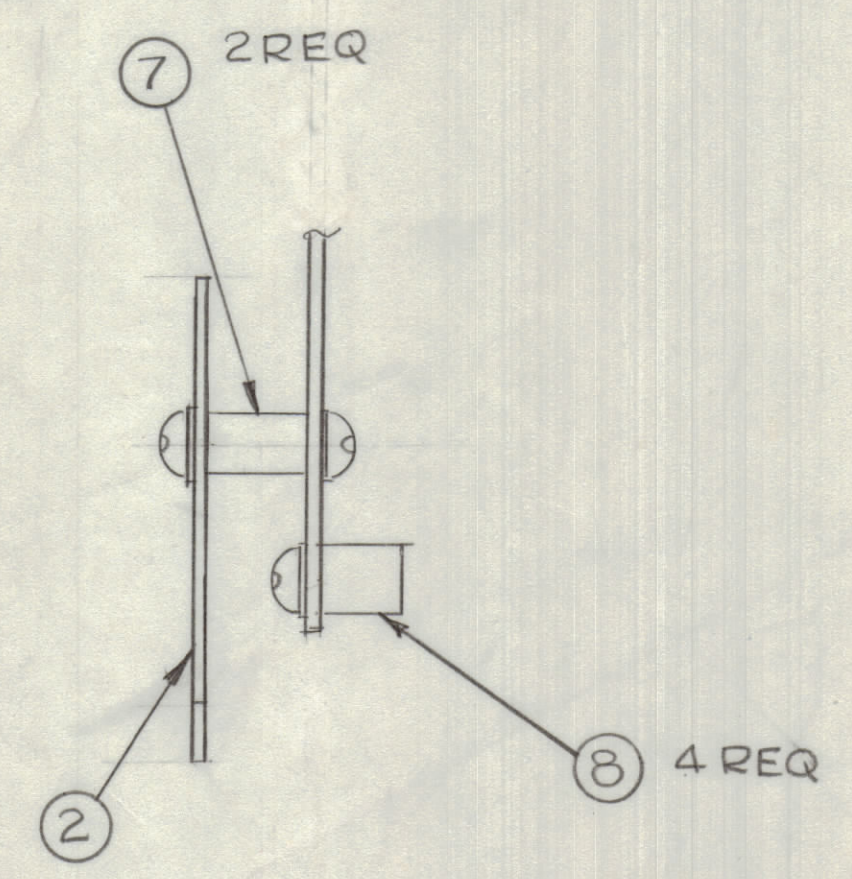
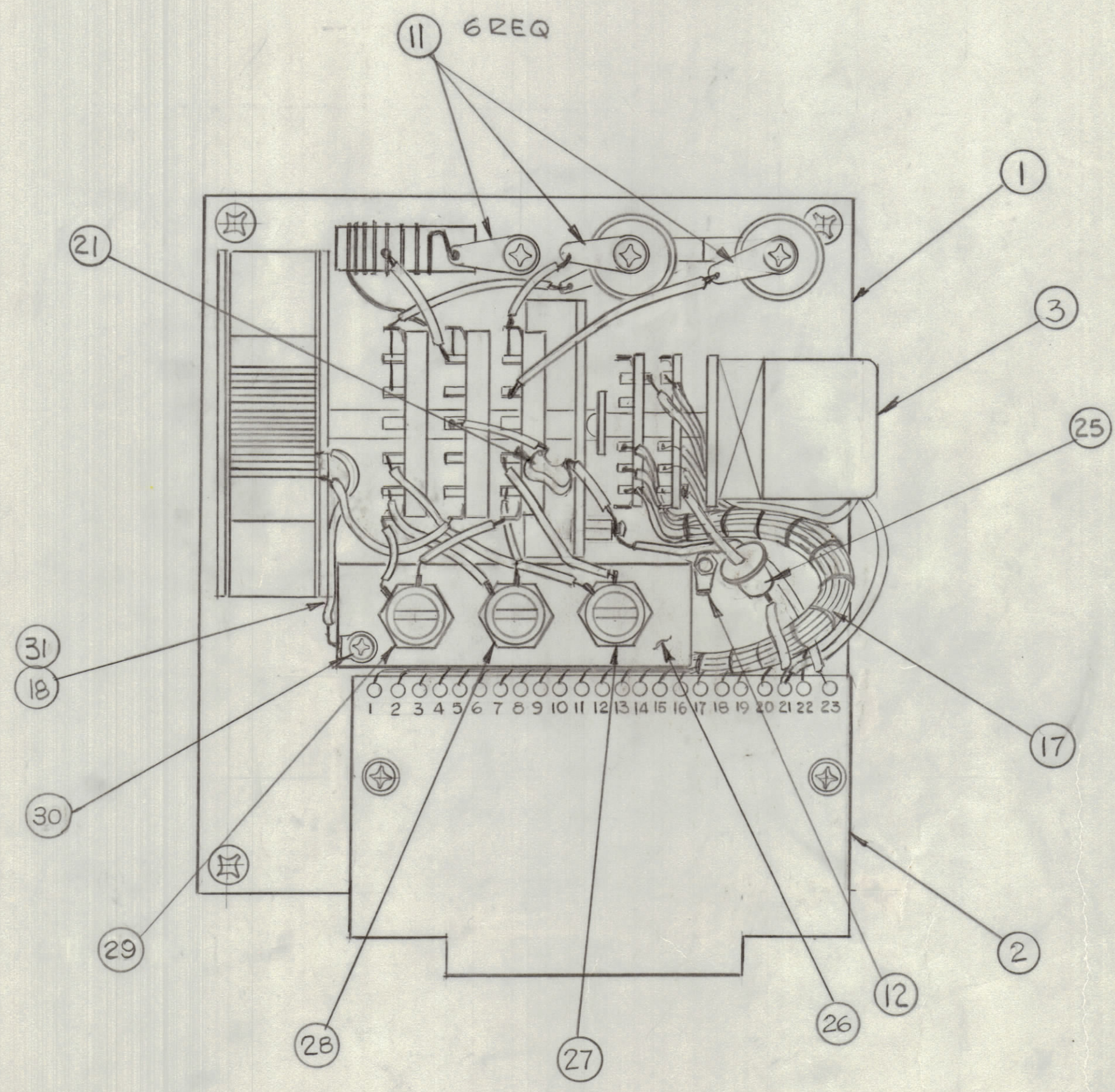
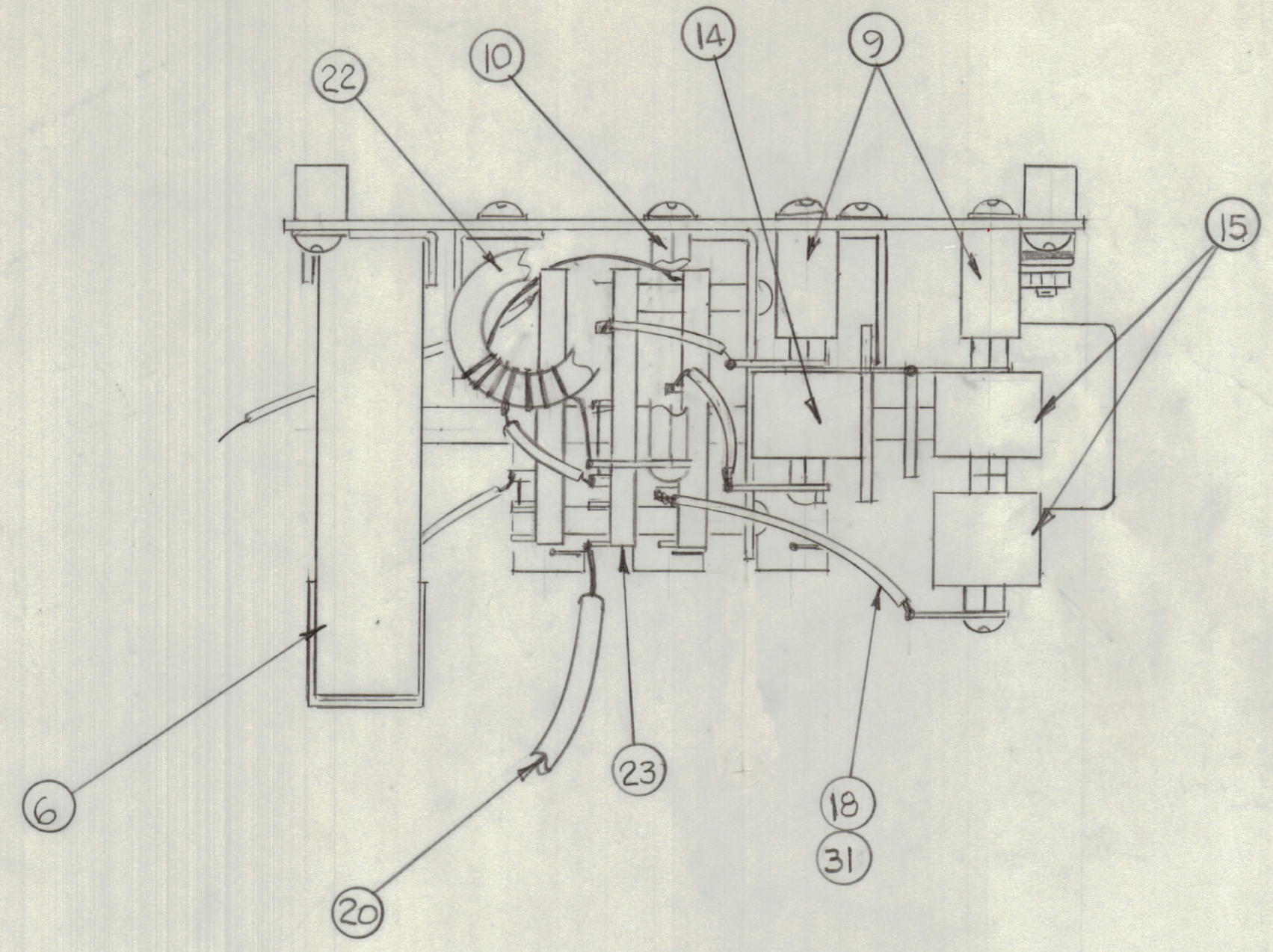


REVISIONS							
E.M.N.O	DRAFT	CHKD	ZONE	LTR	DESCRIPTION	DATE	APPROVED
21465	10/6/66	RP		B	REDRAWN WITH CHANGES	6-23-76	[Signature]
21576	11/1/66	RP		C	ITEM 5 CHANGED FR. MS6587 TO MS6588	10-26-77	*



QTY. REQ.	ITEM	PART NO.	DESCRIPTION	SYMBOL
X	31	PX 370-12-7	INSULATION, TEFLON	
1	30	TE 113-120	TERMINAL, LOCKING	
1	29	CL 475-12	COIL, RF	
1	28	CL 475-11	COIL, RF	
1	27	CL 475-10	COIL, RF	
1	26	MS 6718	BRACKET, MTG COIL	
1	25	IN 547	DIODE	
X	24	PX 104-3	INSULATION	
3	23	WS 115	WAFER, SWITCH ROTARY	
1	22	TR 207	HF OUTPUT TRANSFORMER	
1	21	CM 11C050MS	CAPACITOR	
X	20	RG 58 9U	COAXIAL CABLE	
	19	DELETED		
X	18	WI 100-5	WIRE, BUS	
1	17	CA 1765	CABLE, LEDEX ASSY	
1	16	TE 115-2	TERMINAL TURRET	
1	15	CC 109-13	CAPACITOR	
2	14	CC 109-19	CAPACITOR	
	13	DELETED	CAPACITOR	
1	12	TE 149-120	TERMINAL, LOCKING	
6	11	TE 104-2	TERMINAL, LOCKING	
1	10	TE 0632BN6H	TERMINAL, LOCKING	
2	9	TE 204-TR12E2	SPACER	
4	8	TE 0832AE46H	SPACER, THREADED	
2	7	TE 1032AE54H	SPACER, THREADED	
1	6	TR 200	TRANSFORMER OUTPUT	
1	5	MS 6588	PLATE MTG. LEDEX	
-	4	DELETED		
1	3	SW 561	SWITCH ROTARY, SOLENOID	
1	2	A 5608	ASSY PRINTED CIRCUIT BD	
1	1	MS 6568	BRACKET, MG SW	

QTY. REQ.	ITEM	PART NO.	DESCRIPTION	SYMBOL
-----------	------	----------	-------------	--------

LIST OF MATERIAL

UNLESS OTHERWISE SPECIFIED DIMENSIONS ARE IN INCHES AND INCLUDE CHEMICALLY APPLIED OR PLATED FINISHES	FINAL APPROVAL [Signature]	DATE
	MECH. DES.	DATE
	ELECT. DES.	DATE
	CHECKED [Signature]	DATE
	DRAWN G.D.L.	DATE 6-23-76

THE TECHNICAL MATERIEL CORP.
MAMARONECK, NEW YORK

ASSY OUTPUT CIRCUIT

1	KIT 421.	
1	HFL-100-A	
QTY / UNIT	MODEL USED ON	ASS'Y NO.
APPLICATION		
CODE		

MATERIAL		SIZE	CODE IDENT NO.	DWG NO.	ISSUE
FINISH		D	82679	A 5605	C
		SCALE	1:1	SHEET	OF

NOTICE TO PERSONS RECEIVING THIS DRAWING
THE TECHNICAL MATERIEL CORPORATION claims proprietary right in the material disclosed hereon. This drawing is issued in confidence for engineering information only and may not be reproduced or used to manufacture anything shown hereon without permission from THE TECHNICAL MATERIEL CORPORATION to the user. This drawing is loaned for mutual assistance and is subject to recall at any time.