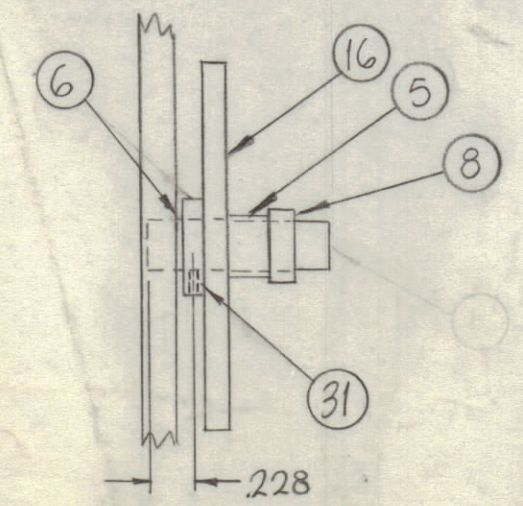
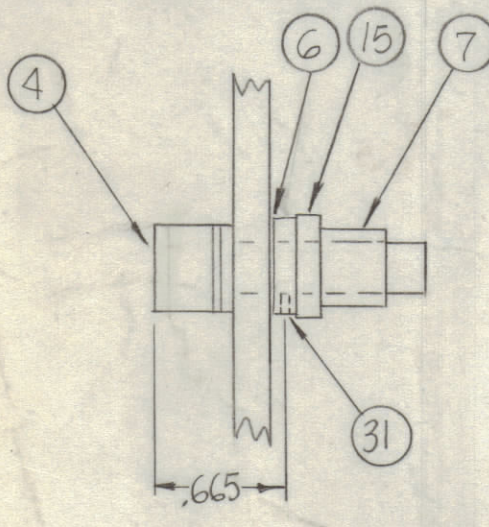
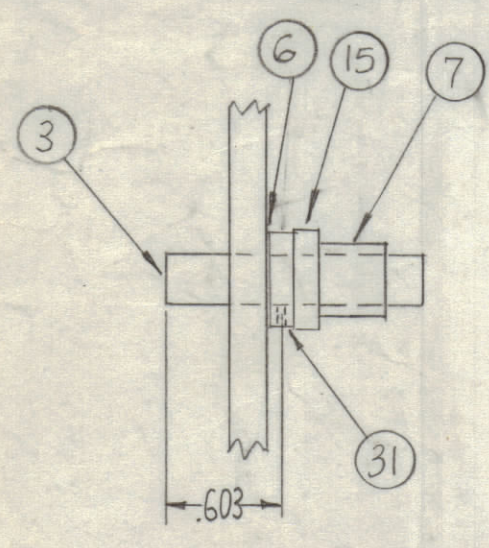
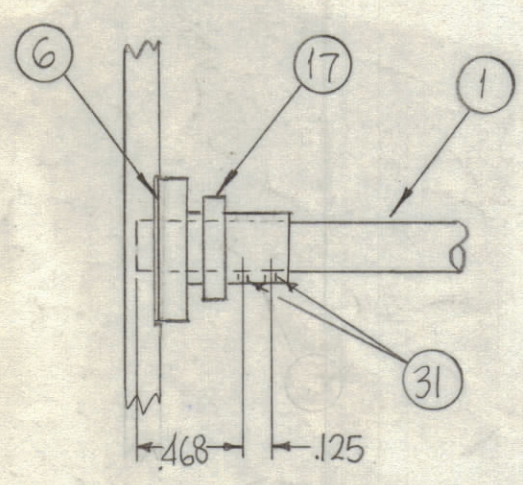
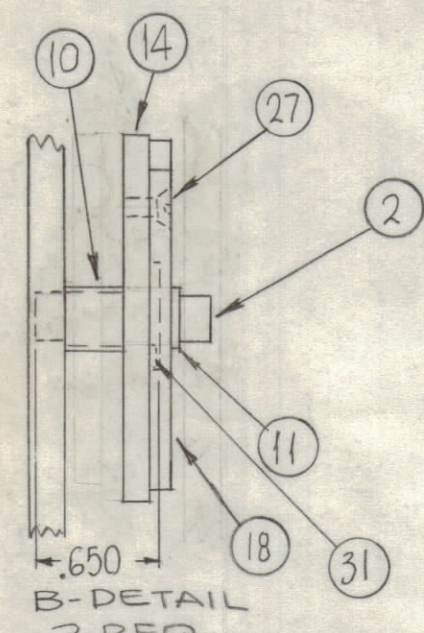
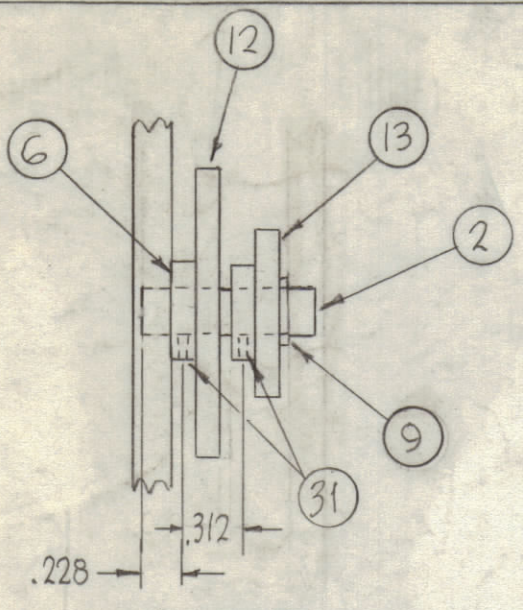
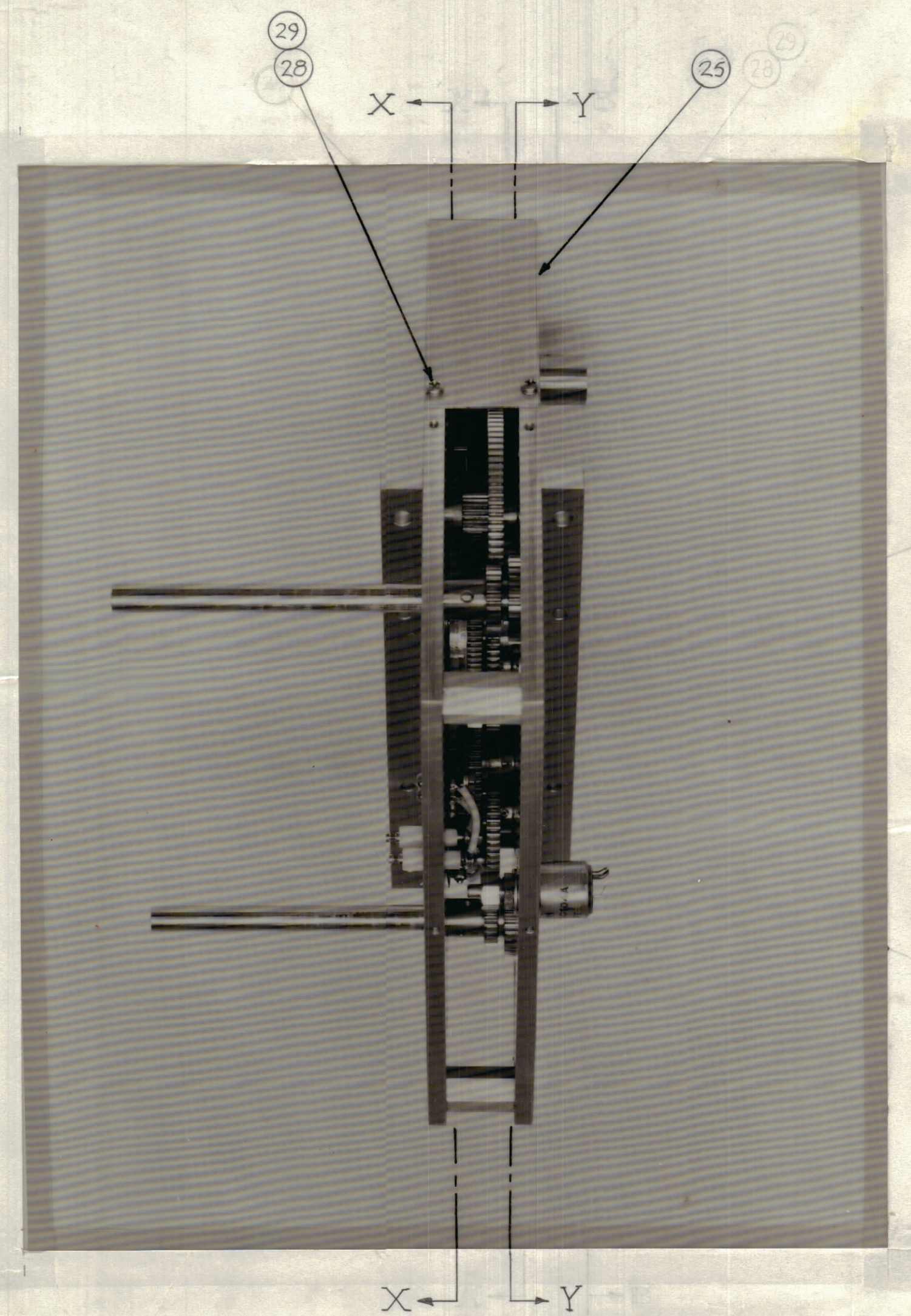
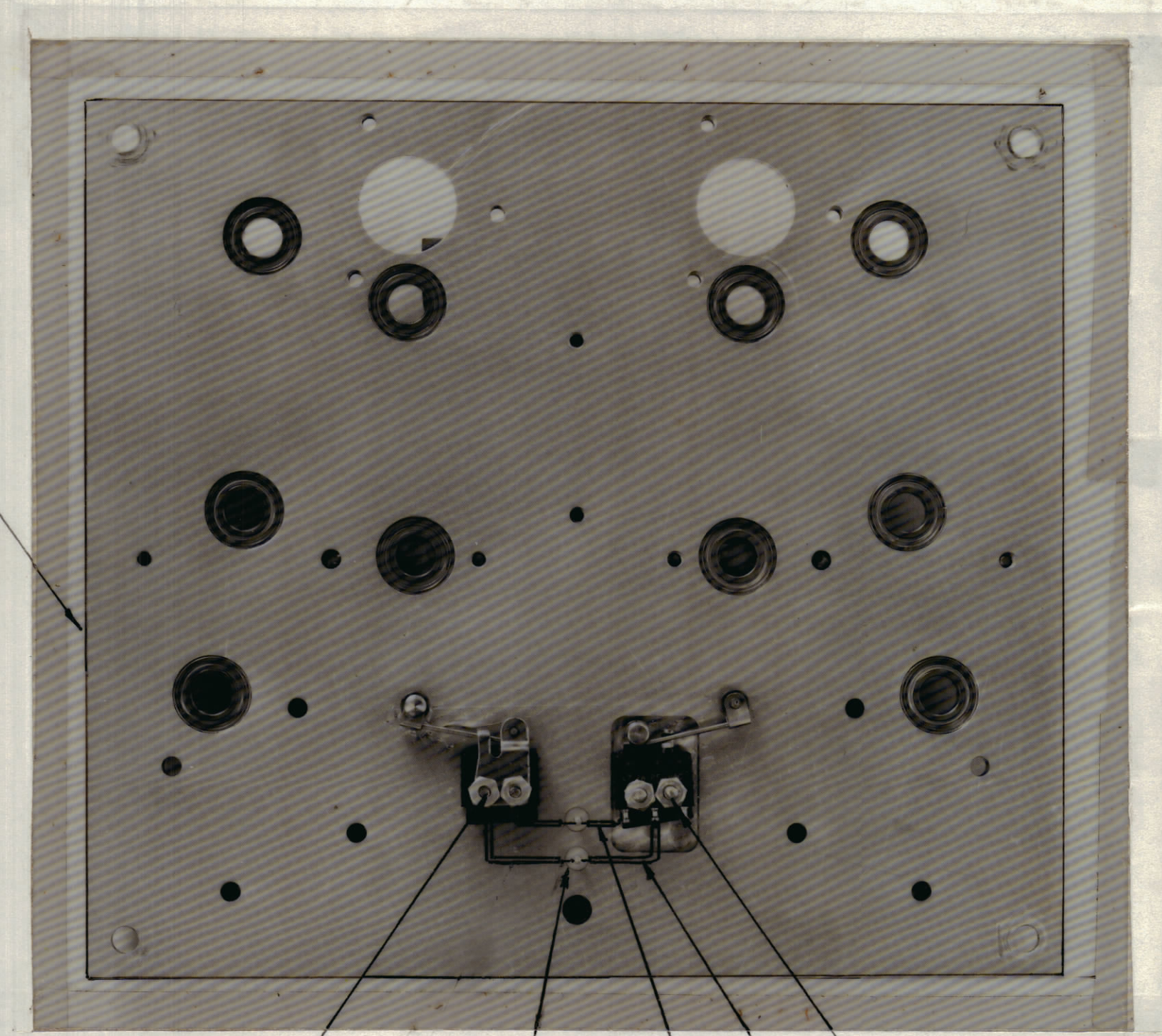


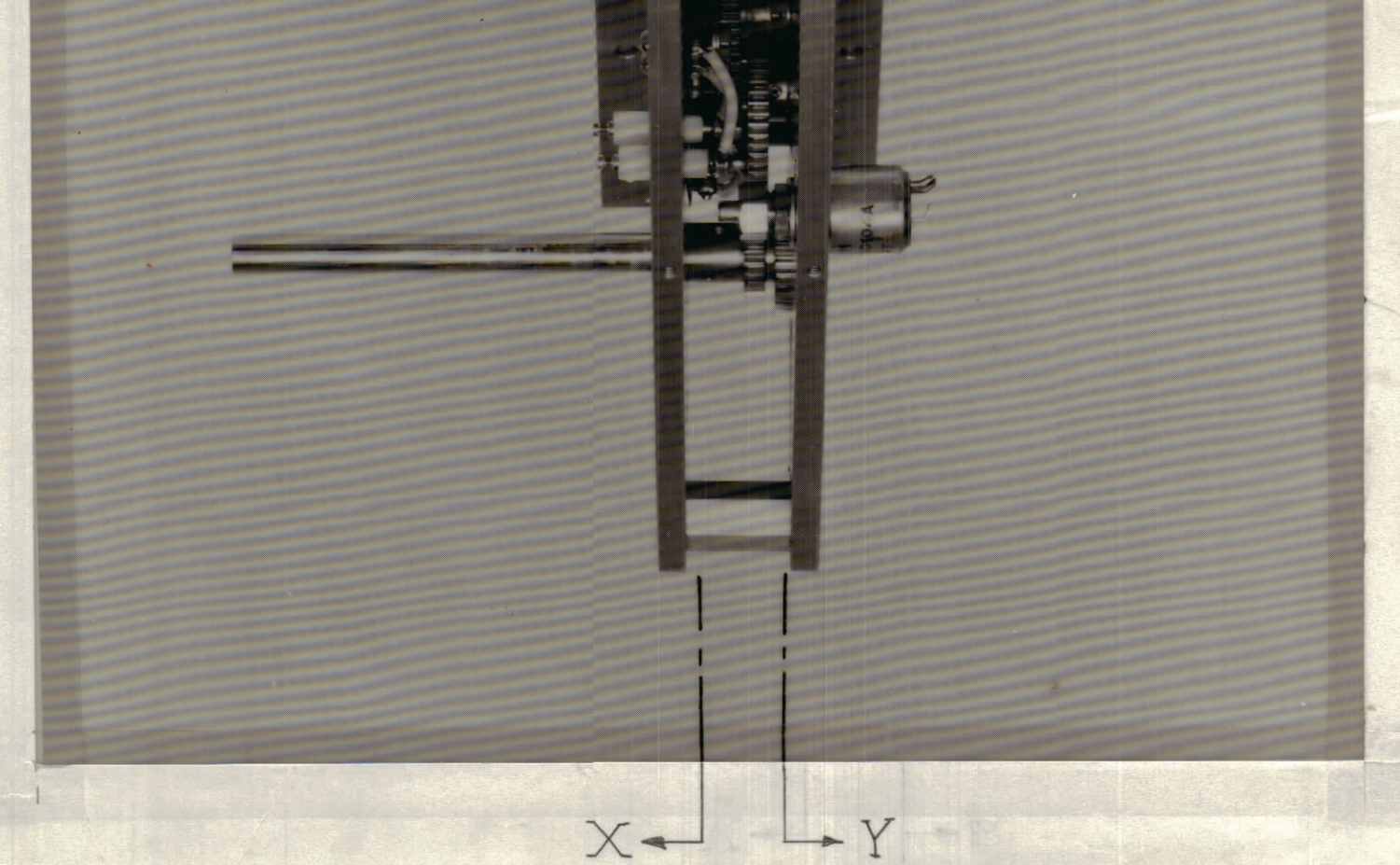
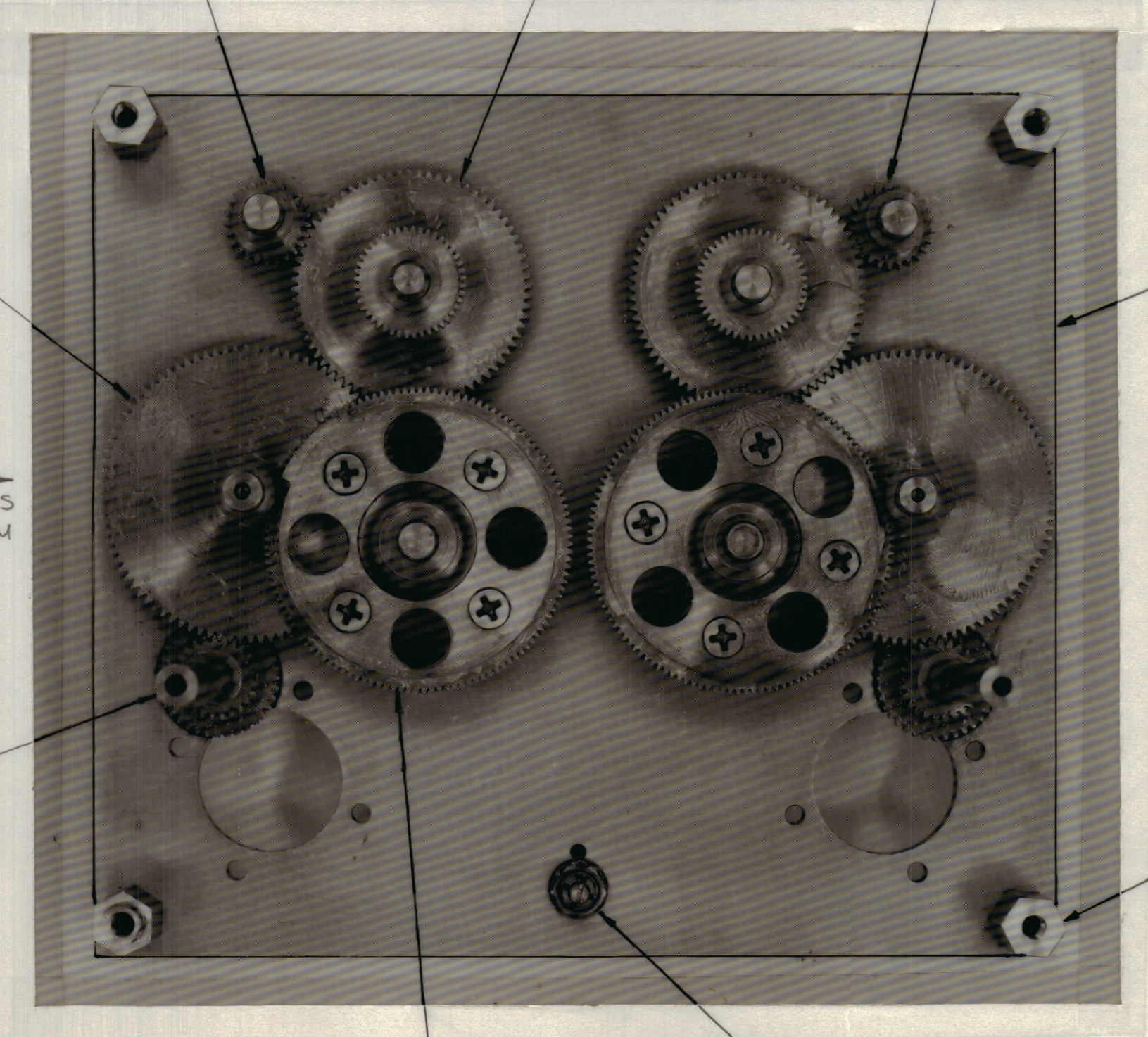
REVISIONS							
ZONE	SYM	DESCRIPTION	DATE	E.M.N. NO.	DRAFT	CHKD	APPD
X		EXP. RELEASE	11-24-66				
X		ITEM 32 ADDED	1-17-67				
Ø		ORIGINAL RELEASE FOR PRODUCTION	3-1-67				
Δ		IT. 24 WAS MS4967-1 PICTORIAL CLARIFIED, IT. 28 & 29 WAS 12 REQ. IT. 33, 34, 35 ADDED	7-2-68	18983			FB

SWITCH PLATE
VIEW X-X



30 32 33 34
TYP. TYP. TYP.

D-DETAIL A-DETAIL E-DETAIL



F-DETAIL
ALL DETAILS VIEWED FROM THIS SIDE

B-DETAIL

GEAR PLATE
VIEW Y-Y

REQ'D.	ITEM	PART NUMBER	DESCRIPTION	SYMBOL
X	35	BS100	SOLDER, TIN ALLOY	
X	34	MWC22(7)U0	WIRE, ELECTRICAL, INS	
X	33	MWC22(7)U9	WIRE, ELECTRICAL, INS	
2	32	TE169-3	TERM. FD. THRU INS.	
14	31	PN99-062-8	PIN, SPRING	
2	30	SCPP0256BR9	SCREW, MACHINE	
6	29	LWS02MRN	WASHER, LOCK, SPLIT	
6	28	SCPP0256BN4	SCREW, MACHINE	
8	27	SCFP0632BN4	SCREW, MACHINE	
4	26	SCFP0832BN5	SCREW, MACHINE	
1	25	MS4967-2	COVER, GEAR BOX	
	24	DELETED		
2	23	SW353-2	SWITCH, SENSITIVE	
1	22	RV106UX10C104A	RESISTOR VARIABLE COMP.	
4	21	TE0832-AEO.625H	SPACER, THREADED	
1	20	PM1305	PLATE, GEAR, FRONT	
1	19	PM1306	PLATE, GEAR, REAR	
2	18	PM1310	CAM	
2	17	GR230	GEAR, COMPOSITE	
2	16	GR205-36	GEAR, SPUR, HUB	
2	15	GR205-37	GEAR, SPUR, HUB	
2	14	GR229	GEAR, SPUR	
2	13	GR221-2	GEAR, SPUR, HUB	
2	12	GR205-38	GEAR, SPUR, HUB	
2	11	TE117-83	SPACER	
2	10	TE117-86	SPACER	
2	9	TE117-82	SPACER	
2	8	TE117-85	SPACER	
2	7	TE117-81	SPACER	
5	6	TE117-84	SPACER	
2	5	GR228	GEAR, PINION	
1	4	PM1067	SHAFT, COUPLING	
1	3	PM1051-RF-1.344	SHAFT, PRECISION	
4	2	PM1051-RF-.937	SHAFT, PRECISION	
2	1	PM1051-RF-3.625	SHAFT, PRECISION	

F. BUDETTI LIST OF MATERIAL			
MATERIAL		THE TECHNICAL MATERIEL CORP. MAMARONECK, NEW YORK	
FINISH		TITLE GEAR BOX ASSY TLAA-2 SK	
UNLESS OTHERWISE SPECIFIED DIMENSIONS ARE IN INCHES AND INCLUDE CHEMICALLY APPLIED OR PLATED FINISHES		DRAWN	DATE
DECIMALS 1/16 .06 1/32 .01 .005 FRACTIONS 1/64 ANGLES ± 0° 30'		CHECKED	DATE
TOLERANCES ± 1/64 ANGLES ± 0° 30'		ELECT. DES.	DATE
		MECH. DES.	DATE
		SHEET	REV. LTR.