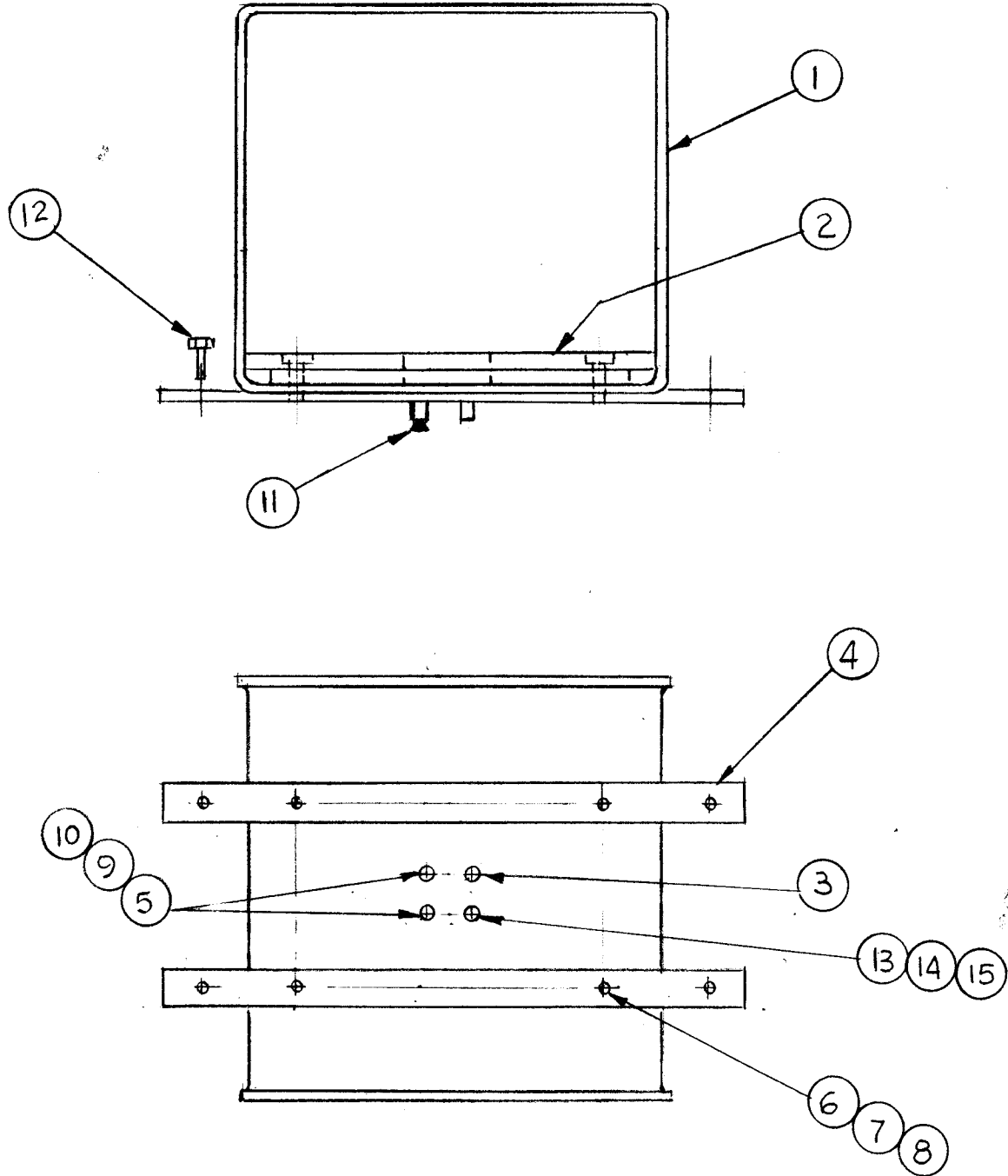


A5436



REVISIONS

| SYM | DESCRIPTION | DATE | E.M.N. NO. | DRAFT | CHKD | APPD |
|-----|---------------------------------|---------|------------|-------|------|------|
| Ø | ORIGINAL RELEASE FOR PRODUCTION | 3-28-66 | -A | HLA | | |

| 2 | 15 | GA140-12N4 | GASKET, RD. | |
|--------|------|--------------|---------------------|--------|
| 2 | 14 | FW100-24AE | WASHER, FLAT | |
| 1 | 13 | PO206-1 | STUFFING TUBE | |
| 4 | 12 | SC111-7 | BOLT, LAG | |
| 1 | 11 | RY114-77700 | RUBBER STOPPER | |
| 4 | 10 | GA140-8N4 | GASKET, RD. | |
| 4 | 9 | FW100-10AE | WASHER, FLAT | |
| 4 | 8 | LWS31MRN | WASHER, LK, SPLIT | |
| 4 | 7 | SCHH3118BN26 | BOLT, MACHINE | |
| 4 | 6 | FW31HBN | WASHER, FLAT | |
| 2 | 5 | PO206-2 | STUFFING TUBE | |
| 2 | 4 | PM1287 | PLATE, UNIT MTG. | |
| 1 | 3 | HB103 | BUTTON, PLUG, VENT | |
| 1 | 2 | WD143 | TRAY, BATTERY MOUNT | |
| 1 | 1 | PX977 | CASE / COV | |
| REQ'D. | ITEM | PART NUMBER | DESCRIPTION | SYMBOL |

*

* THESE PARTS WILL BE SHIPPED AS LOOSE ITEMS

| 1 | TOC-8 | |
|---|---------------|------------|
| Q'TY./UNIT | MODEL USED ON | ASS'Y. NO. |
| SCALE | CODE | |
| DO NOT SCALE | | |
| THE CONTENTS OF THIS DRAWING ARE THE EXCLUSIVE PROPERTY OF THE TECHNICAL MATERIEL CORP. ITS UNAUTHORIZED USE OR REPRODUCTION IN WHOLE OR IN PART IS STRICTLY FORBIDDEN. | | |

LIST OF MATERIAL

| | | | | | |
|---|--|--|-----------------|--------------------------------------|--|
| MATERIAL | | THE TECHNICAL MATERIEL CORP. MAMARONECK, NEW YORK | | | |
| FINISH | | TITLE TOC-8 FINAL ASSY | | | |
| UNLESS OTHERWISE SPECIFIED DIMENSIONS ARE IN INCHES AND INCLUDE CHEMICALLY APPLIED OR PLATED FINISHES | | DRAWN G.D.L. | DATE 3-9-66 | FINAL APPROVAL <i>[Signature]</i> | |
| DECIMALS .X ± .05 .XX ± .01 .XXX ± .005 | | CHECKED <i>[Signature]</i> | DATE 3-24-66 | DATE 3/24/66 | |
| FRACTIONS ± 1/64 ANGLES ± 0° 30' | | ELECT. DES. | DATE | A5436 | |
| TOLERANCES | | MECH. DES. | DATE | Ø | |
| | | | | SHEET | |
| | | | | REV. LTR. | |

NOTES