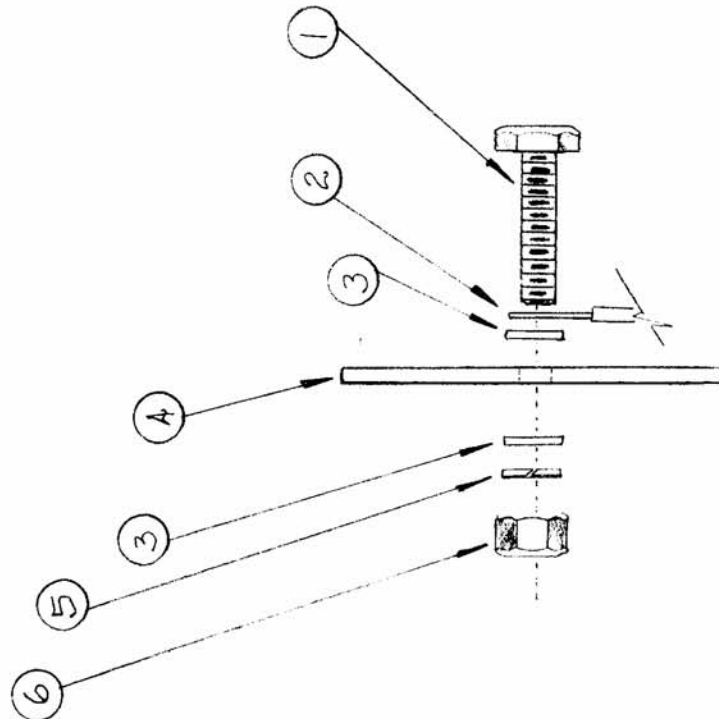


RE. PER. UNIT	MODEL	USED ON	DATE
1	AF105	ASSY. NO.	1-25-66
A5412			Ø



REQ. ITEM	PART NO.	F. BUDETTI DESCRIPTION	SYMBOL
1	NTH2520BN14	NUT, PLN, HEX	
1	LWS25MRN	WASH., LK, SPLIT	
1	PX959	INS, RF FDTHRU	
2	FW25HBN	WASH., FLAT	
1	MS3284-19	STRAP, CONNTG	
1	SCHH2520BU16	BOLT, MACH	
F. BUDETTI DESCRIPTION			
THE TECHNICAL MATERIEL CORP. MAMARONECK. NEW YORK			
TERM. ASSY, INPLT			
DRAWN: <i>Fl...</i> 1-25-66			CHECKED
TYPE & TEMPER			HEAT TREAT. SPEC.
MATERIAL			FINISH & SPEC. NO.
ELEC. DES. APP.			MECH. DES. APP.
A5412			Ø

DATE	12/1/68	CHECKER	CU	ENG. APP.	XDC
DATE	7-1-67	CHECKER	FSL	ENG. APP.	
DESCRIPTION	DO NOT SCALE				
SCALE	DO NOT SCALE				
UNLESS OTHERWISE SPECIFIED	DIMENSIONS ARE IN INCHES AND INCLUDE				
CHEMICALLY APPLIED OR PLATED FINISHES	FRACTIONS				
DECIMALS	± 1/64				
.X ± .05	ANGLES				
.XX ± .01	± 0° 30'				
.XXX ± .005					