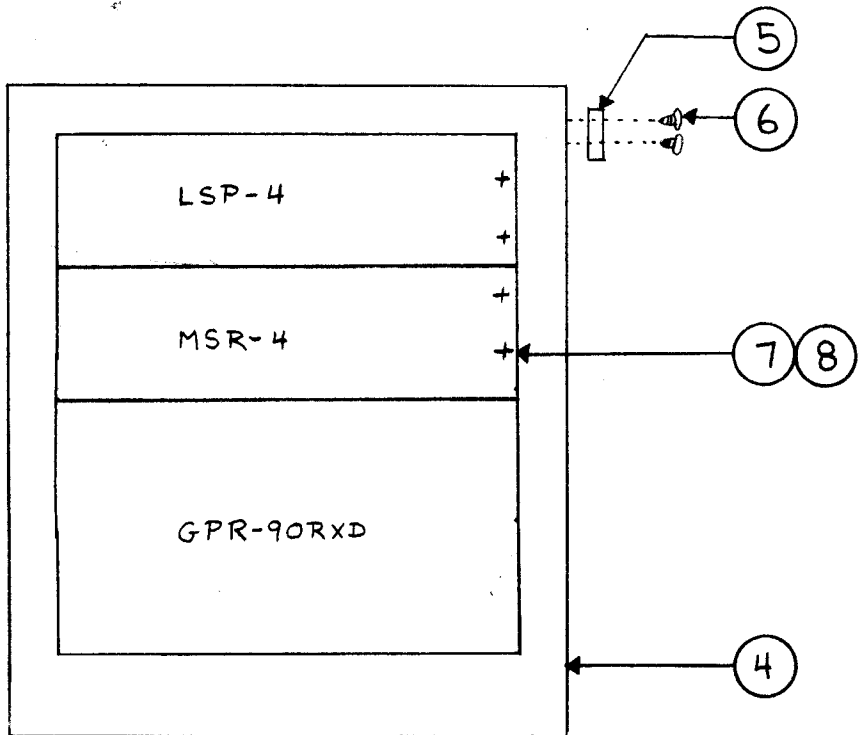


SYMBOL(S)	ITEM NO.	USED TO MOUNT	QTY
	11	CA1184	1
	12	CU102-1	1
	13	CU102-1	1
	14	CU102-1	1
	15	CU102-1	1

A5389



NOTE. ITEMS 9 AND 10 ARE WIRED TO UNITS IN REAR OF CABINET PER CK1060.

REQ'D.	ITEM	PART NUMBER	DESCRIPTION	SYMBOL
1	15	NTH1032BN12	NUT, PLN, HEX	
1	14	FW10HBN	WASH., FLAT	
1	13	LWE10MRN	WASH., LK, EXT	
1	12	SCBP1032BN7	SCR, MACH	
1	11	CU102-1	CLAMP, LOOP 1/8D	
1	10	CA1184	WRG HARN, BRCHD.	
1	9	CA1079	CBL ASSY, PWR, AC	
16	8	WA101-11	WASH., NM	
16	7	SCBP1032BN8	SCR, MACH	
4	6	SFB0256SN3	SCR TAP, THD CTG	
1	5	NP357-3	PLATE, IDENT-COML	
1	4	RAK-4	CAB., ELEC EQUIP	
1	3	LSP-4	LOUDSPKR PNL	
1	2	MSR-4	MODE SEL, RCVG	
1	1	GPR-90RXD	RCVR, RADIO	

LIST OF MATERIAL

MATERIAL		THE TECHNICAL MATERIEL CORP. MAMARONECK, NEW YORK			
FINISH		TITLE DDR-7H FNL ASSY			
UNLESS OTHERWISE SPECIFIED DIMENSIONS ARE IN INCHES AND INCLUDE CHEMICALLY APPLIED OR PLATED FINISHES		DRAWN H. SCHUCKER	DATE 20 DEC 65	FINAL APPROVAL <i>[Signature]</i>	DATE 12/24/65
		CHECKED <i>[Signature]</i>	DATE 12-20	A5389	
DECIMALS .X ± .05 .XX ± .01 .XXX ± .005	TOLERANCES		ELECT. DES.		
FRACTIONS ± 1/64 ANGLES ± 0° 30'		MECH. DES.	DATE	SHEET	REV. LTR.

1	DDR-7H	
Q'TY./UNIT	MODEL USED ON	ASS'Y. NO.
SCALE	CODE	

THE CONTENTS OF THIS DRAWING ARE THE EXCLUSIVE PROPERTY OF THE TECHNICAL MATERIEL CORP. ITS UNAUTHORIZED USE OR REPRODUCTION IN WHOLE OR IN PART IS STRICTLY FORBIDDEN.

NOTES