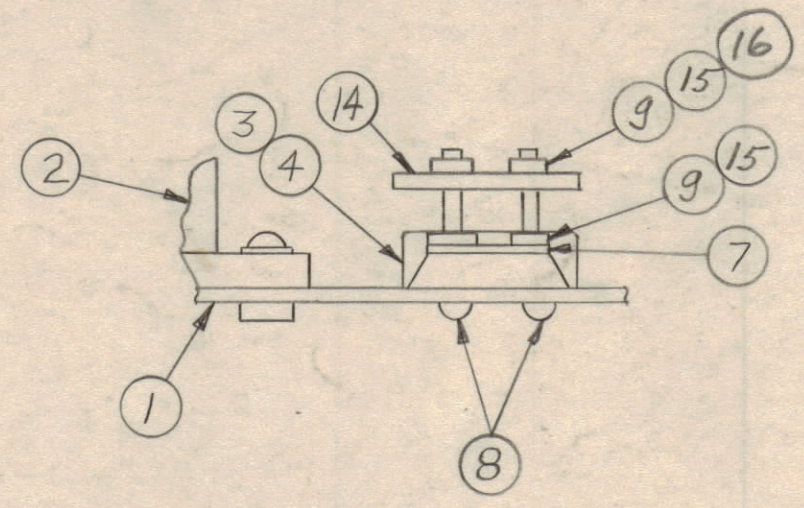
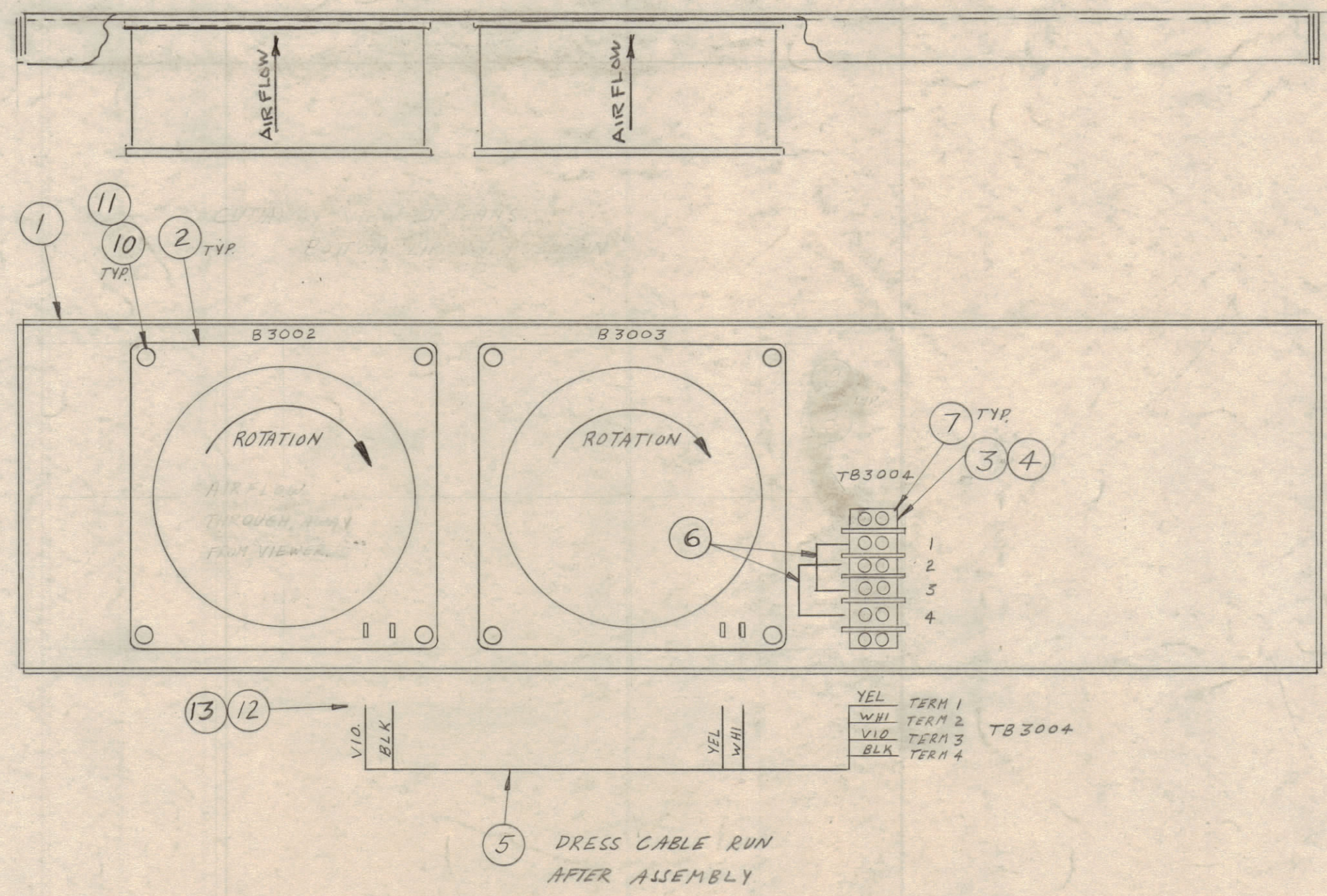


REVISIONS						
ZONE	SYM	DESCRIPTION	DATE	E.M.N. NO.	DRAFT	CHKD
	X	EXPERIMENTAL RELEASE	3-26-65		BDM	
	X1	Added Items 14, 15 Item 8 was BNB, Added detail. Item 9 REQ was 4	3-26-65		BDM	
	X2	IT. 1 WAS LD880, IT. 15 WAS BNB IT. 16 ADDED	4/15/66			
	Ø	ORIGINAL RELEASE FOR PRODUCTION	4/20/66		CV	



REQ'D.	ITEM	PART NUMBER	DESCRIPTION	SYMBOL
4	16	FWD4HBN	WASH., FLAT	
8	15	NTH0440 BNB	NUT, HEX HEAD	
1	14	LD880/PX594-1	LETTERING, INSULATOR, TERMINAL	
	13	BS 100	SOLDER, TIN ALLOY	
	12	PX B30-12-1	INSULATION, SLEEVE, SHRINK	
8	11	LWE06 MRN	LOCKWASHER, EXTERNAL	
8	10	SCBPO632 BNB	SCREW, MACHINE	
8	9	LWE04 MRN	LOCKWASHER, EXTERNAL	
4	8	SCBPO440 BNB	SCREW, MACHINE	
2	7	MS154-1	PLATE, STRADDLE	
2	6	CA409-32-2.00	CABLE	
1	5	CA550	CABLE	
1	4	PX336-4	INSULATION, PAPER	
1	3	TM102-4	TERMINAL STRIP	
2	2	BL106-2	FAN	
1	1	MS4413/LD1835	PLATE, MFG. FRONT FAN	

**LIST OF MATERIAL**

MATERIAL: **THE TECHNICAL MATERIEL CORP.**  
MAMARONECK, NEW YORK

FINISH: TITLE: **ASS'Y. FRONT FAN**

UNLESS OTHERWISE SPECIFIED DIMENSIONS ARE IN INCHES AND INCLUDE CHEMICALLY APPLIED OR PLATED FINISHES

DECIMALS: .X ± .05, .XX ± .01, .XXX ± .005  
FRACTIONS: ± 1/64, ANGLES: ± 0° 30'

TOLERANCES

DRAWN: *BDM* DATE: 26/Nov/65  
CHECKED: *BDM* DATE: 2/22/66  
ELECT. DES.: *BDM* DATE: *4/15/66*  
MECH. DES.: DATE: *4/20/66*

FINAL APPROVAL: *BDM* DATE: *4/20/66*

SHEET: **A5010** REV. LTR. *Ø*

1 TSTE 10K / AX 563

Q'TY./UNIT: 1 MODEL USED ON: ASS'Y. NO.:  
SCALE: CODE:

THE CONTENTS OF THIS DRAWING ARE THE EXCLUSIVE PROPERTY OF THE TECHNICAL MATERIEL CORP. ITS UNAUTHORIZED USE OR REPRODUCTION IN WHOLE OR IN PART IS STRICTLY FORBIDDEN.

**NOTES**

A5010