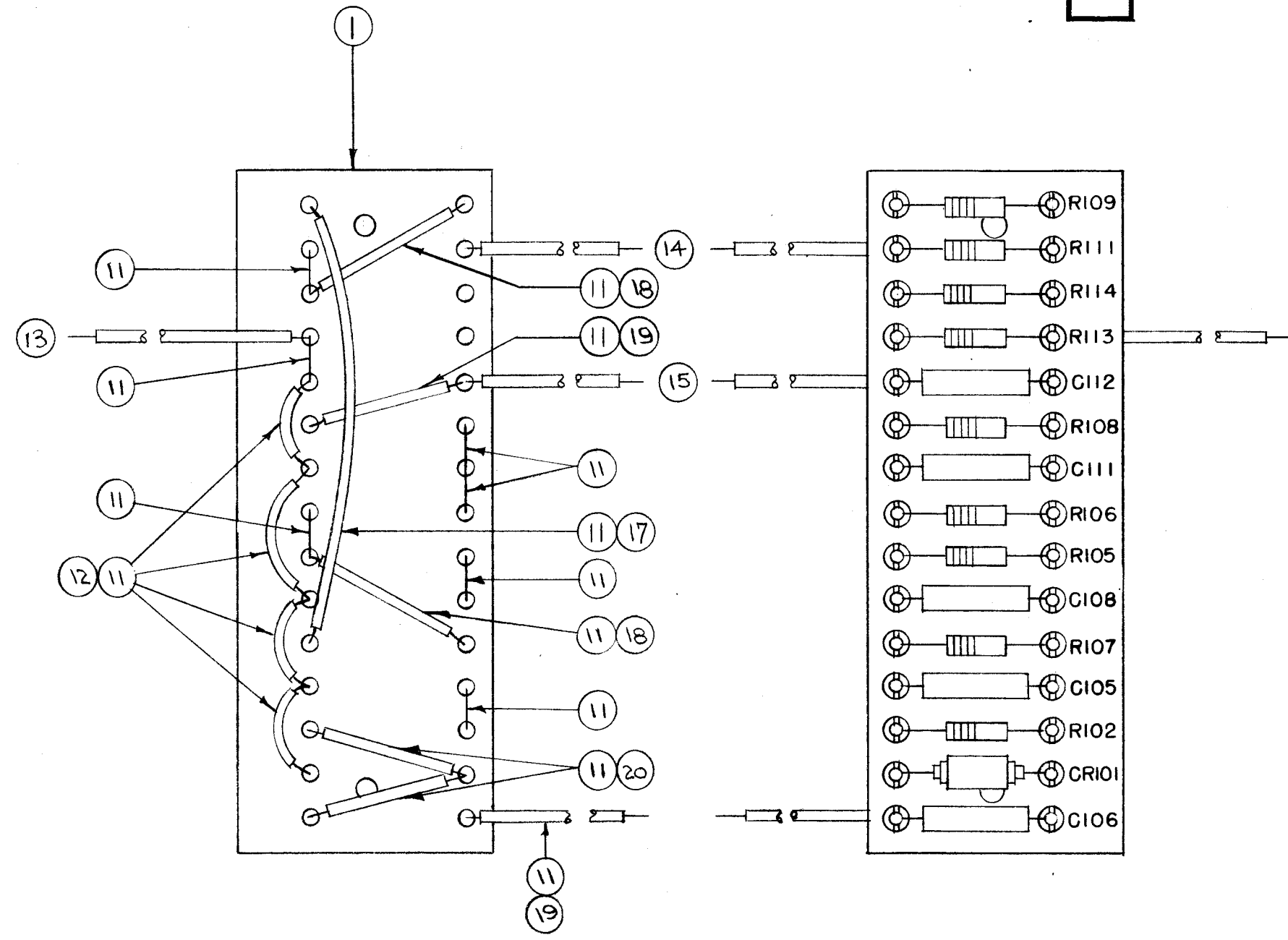


IF IT IS FOUND DESIRABLE TO CHANGE ANY TOLERANCE OR OTHER DETAIL SPECIFIED ON THIS DRAWING NOTIFY THE PURCHASER PROMPTLY.

MAXIMUM ALLOWABLE TOLERANCES HAVE BEEN DETERMINED AND DEVIATIONS WILL BE CAUSE FOR REJECTION. REMOVE ALL BURRS AND SHARP EDGES

A-596

WIRE LENGTHS SHOWN FOR ITEMS 13-14 & 15 ALLOW 3/4" EACH END FOR STRIPPING.



REQ.	ITEM	PART NO.	DESCRIPTION	SYMBOL
X	20	PX-104-6-.022	INSULATION, SLEEVING (BLUE)	
X	19	PX-104-4-.022	" " (GRN.)	
X	18	PX-104-9-.022	" " (VIO.)	
X	17	PX-104-3-.022	" " (RED)	
X	16	BS-100	SOLDER, SOFT	
5"	15	SRIR ³ / ₅ (7)22U 55	CABLE, INSULATED (GREEN)	
5"	14	SRIR ³ / ₅ (7)22U 66	" " (BLUE)	
6"	13	SRIR ³ / ₅ (7)22U 00	" " (BLACK)	
X	12	PX-104-1-.022	INSULATION, SLEEVING (BLK.)	
X	11	WL-100-7	WIRE, BUSS BAR 22 GA	
1	10	RC20GF823K	RESISTOR, FIXED	R114
1	9	RC20GF101K	RESISTOR, FIXED	R113
2	8	RC20GF104K	RESISTOR, FIXED	R108 R109
1	7	RC20GF563K	RESISTOR, FIXED	R107
2	6	RC20GF224K	RESISTOR, FIXED	R106 R111
1	5	RC20GF104K	RESISTOR, FIXED	R105
1	4	RC20GF123K	RESISTOR, FIXED	R102
1	3	IN 3A	XTAL UNIT	CR101
5	2	CM20A102K	CAPACITOR, FIXED	
1	1	A-417	TERM. BD. NO. 2. SUB ASSY	

C105
C106
C108
C111
C112

REQ.	ITEM	PART NO.	DESCRIPTION	SYMBOL
#				
STOCK SIZE				
# #				
MATERIAL WEIGHT PER PC.				
#				
TYPE & TEMPER				
#				
HEAT TREAT. SPEC.				
#				
FINISH & SPEC. NO.				

THE TECHNICAL MATERIEL CORP.		
MAMARONECK. NEW YORK		
TERM. BD. NO. 2 ASSEMBLY		
VOX		
C.D.D. 11-25-53		
DRAWN <i>PAW</i>	ELEC. DES. APP. <i>AJT</i>	MECH. DES. APP. <i>WJ</i>
CHECKED	FINAL APPROVAL	
	A-596	

ISSUE	ITEM	CHANGED FROM	DATE	CN. NO.	DRAFTS	CHECKER	ENG. APP.
TOLERANCES							
ALL OTHERS		DEC. DIM. ±	DRILL, PUNCH, COMMERCIAL STOCK SIZES AND MANUFACTURERS TOLERANCES ARE NOT INCLUDED.				
		FRAC. DIM. ±					
		ANGULAR DIM. ±					

1	VOX	101	A-629	11-25-53
REQ. PER UNIT	MODEL	PROJECT NO.	ASSY. NO.	DATE
USED ON				