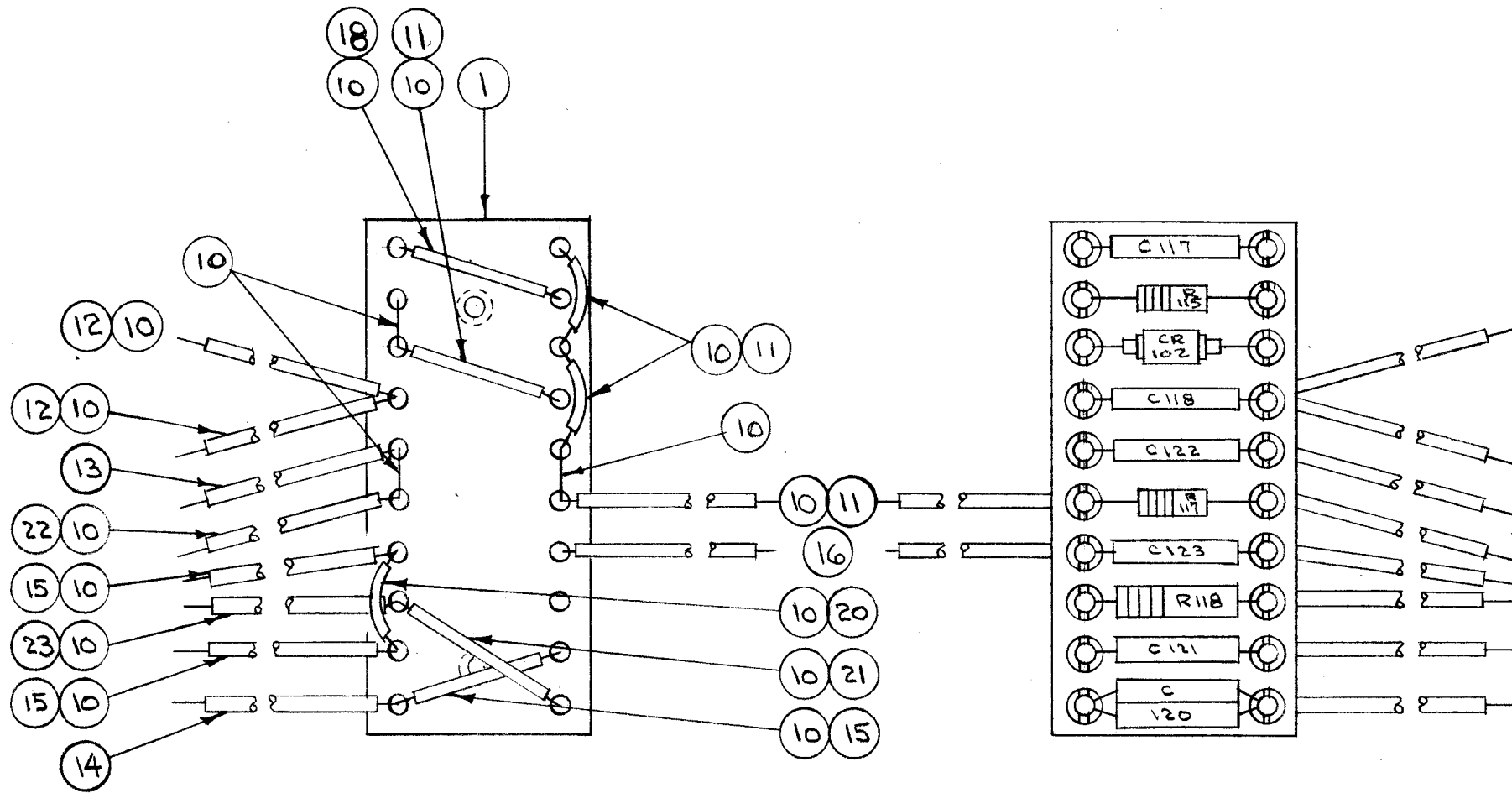


IF IT IS FOUND DESIRABLE TO CHANGE ANY TOLERANCE OR OTHER DETAIL SPECIFIED ON THIS DRAWING NOTIFY THE PURCHASER PROMPTLY.

MAXIMUM ALLOWABLE TOLERANCES HAVE BEEN DETERMINED AND DEVIATIONS WILL BE CAUSE FOR REJECTION. REMOVE ALL BURRS AND SHARP EDGES

A-595



WIRE LENGTHS SHOWN ALLOW 3/4" EACH END FOR STRIPPING.
EACH ITEM 10 LEAD IS 5" LONG.

X	23	PX-104-3-.022	INSULATION, SLEEVING (RED)	
X	22	PX-104-4-.022	" " (GRN.)	
X	21	PX-104-3-.022	" " (RED)	
X	20	PX-104-5-.022	" " (BRN.)	
X	19	---	DELETED	
X	18	PX-104-3-.022	INSULATION, SLEEVING (RED)	
X	17	BS-100	SOLDER, SOFT (CONNECTIONS)	
4"	16	SR1R 3/8(7)22U 99	CABLE, INSULATED (W.H.)	
X	15	PX-104-6-.022	INSULATION, SLEEVING (BLUE)	
7"	14	SR1R 3/8(7)22U 66	CABLE, INSULATED (BLUE)	
7"	13	SR1R 3/8(7)22U 55	" " (GRN.)	
X	12	PX-104-2-.022	INSULATION, SLEEVING (YEL.)	
X	11	PX-104-1-.022	INSULATION, SLEEVING	
X	10	NL-100-7	WIRE, BUSS BAR	
1	9	RC30GF222K	RESISTOR, FIXED	R118
1	8	RC20GF474K	RESISTOR, FIXED	R117
1	7	RC20GF243J	RESISTOR, FIXED	R115
1	6	IN 34	CRYSTAL UNIT	CR102
1	5	CM20C102J	CAPACITOR, FIXED	C121
1	4	A-452	CAPACITOR, FIXED	C120
1	3	CM20C270J	CAPACITOR, FIXED	C122
3	2	CM20A102K	CAPACITOR, FIXED	C117 C118
1	1	A-418	TERM. BD. #1, SUB. ASSY.	

REQ.	ITEM	PART NO.	DESCRIPTION	SYMBOL
#				
STOCK SIZE				
#				
MATERIAL WEIGHT PER PC.				
#				
TYPE & TEMPER				
#				
HEAT TREAT. SPEC.				
#				
FINISH & SPEC. NO.				

THE TECHNICAL MATERIEL CORP.		
MAMARONECK. NEW YORK		
TERM. BD. NO. 1 ASSEMBLY		
VOX		
CDR 11-24-53		
DRAWN <i>FAW</i>	ELEC. DES. APP. <i>AJJ</i>	MECH. DES. APP. <i>WDC</i>
CHECKED	FINAL APPROVAL	
	A-595	

ISSUE	ITEM	CHANGED FROM	DATE	CN. NO.	DRAFTS	CHECKER	ENG. APP.
TOLERANCES							
DEC. DIM. ±				SCALE: #			
FRAC. DIM. ±				DRILL, PUNCH, COMMERCIAL STOCK			
ANGULAR DIM. ±				SIZES AND MANUFACTURERS			
				TOLERANCES ARE NOT INCLUDED.			

1	VOX	101	A-629	11-24-53
REQ. PER UNIT	MODEL	PROJECT NO.	ASS'Y. NO.	DATE
USED ON				