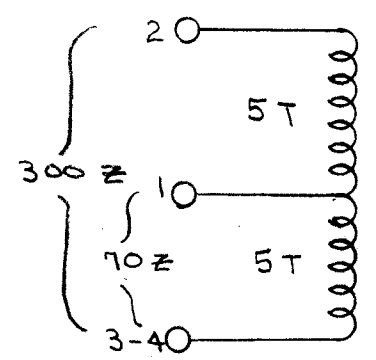
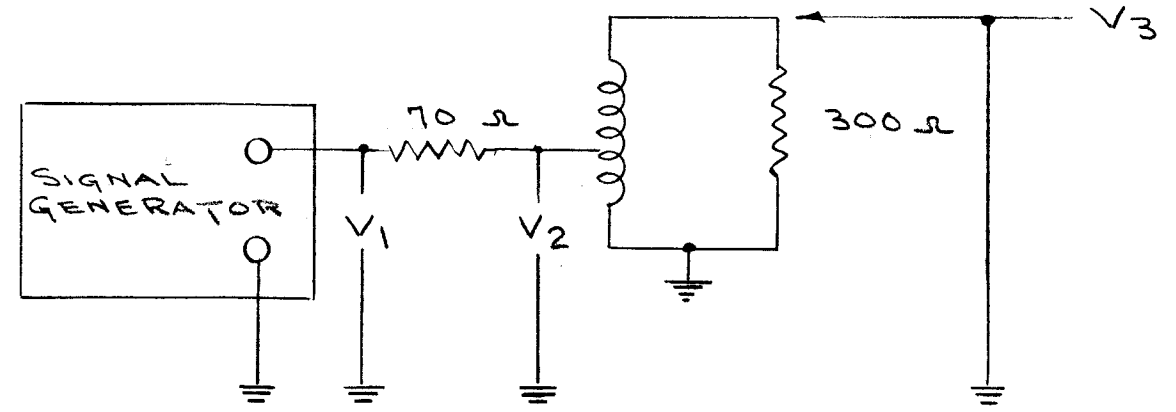


IF IT IS FOUND DESIRABLE TO CHANGE ANY TOLERANCE OR OTHER DETAIL SPECIFIED ON THIS DRAWING NOTIFY THE PURCHASER PROMPTLY.

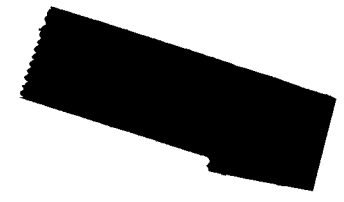
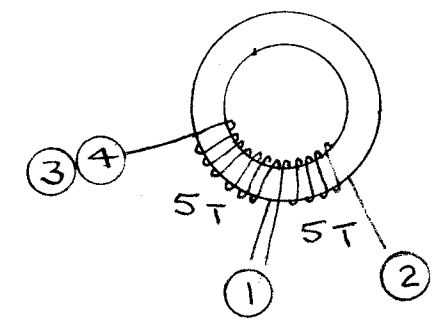
MAXIMUM ALLOWABLE TOLERANCES HAVE BEEN DETERMINED AND DEVIATIONS WILL BE CAUSE FOR REJECTION. REMOVE ALL BURRS AND SHARP EDGES

A-587

ELECTRICAL TEST DATA



F. MC	R. F. VOLTS *		
	V <sub>1</sub>	V <sub>2</sub>	V <sub>3</sub>
2	1.0	.49	.97
8	1.0	.51	.98
32	1.0	.56	.95
50	1.0	.6	.9



**NOT TO BE RELEASED  
W/O AUTHORIZATION**

AUTH. BY: \_\_\_\_\_

DATE: \_\_\_\_\_

X	6	WL-100-7	WIRE, BUSSBAR	
X	5	GL-100	POTTING, COMPOUND	
X	4	BS-100	SOLDER, SOFT	
X	3	WI-102-9	WIRE	
1	2	CI-104	CORE	
1	1		CASE, TRANSFORMER	
REQ.	ITEM	PART NO.	DESCRIPTION	SYMBOL
			THE TECHNICAL MATERIEL CORP. MAMARONECK. NEW YORK	
STOCK SIZE			TRANSFORMER, ANT. MATCHING	
MATERIAL			TR-043	
WEIGHT PER PC.			OMP	
TYPE & TEMPER			OMP	
HEAT TREAT. SPEC.			DRAWN	
FINISH & SPEC. NO.			ELEC. DES. APP.	
			MECH. DES. APP.	
			CHECKED	
			FINAL APPROVAL	
			A-587	

ISSUE	ITEM	CHANGED FROM	DATE	CN. NO.	DRAFTS	CHECKER	ENG. APP.
TOLERANCES		SCALE:					
ALL OTHERS	DEC. DIM. ± FRAC. DIM. ± ANGULAR DIM. ±	DRILL, PUNCH, COMMERCIAL STOCK SIZES AND MANUFACTURERS TOLERANCES ARE NOT INCLUDED.					

MODEL	PROJECT NO.	ASS'Y. NO.	DATE
			11-10-53

USED ON