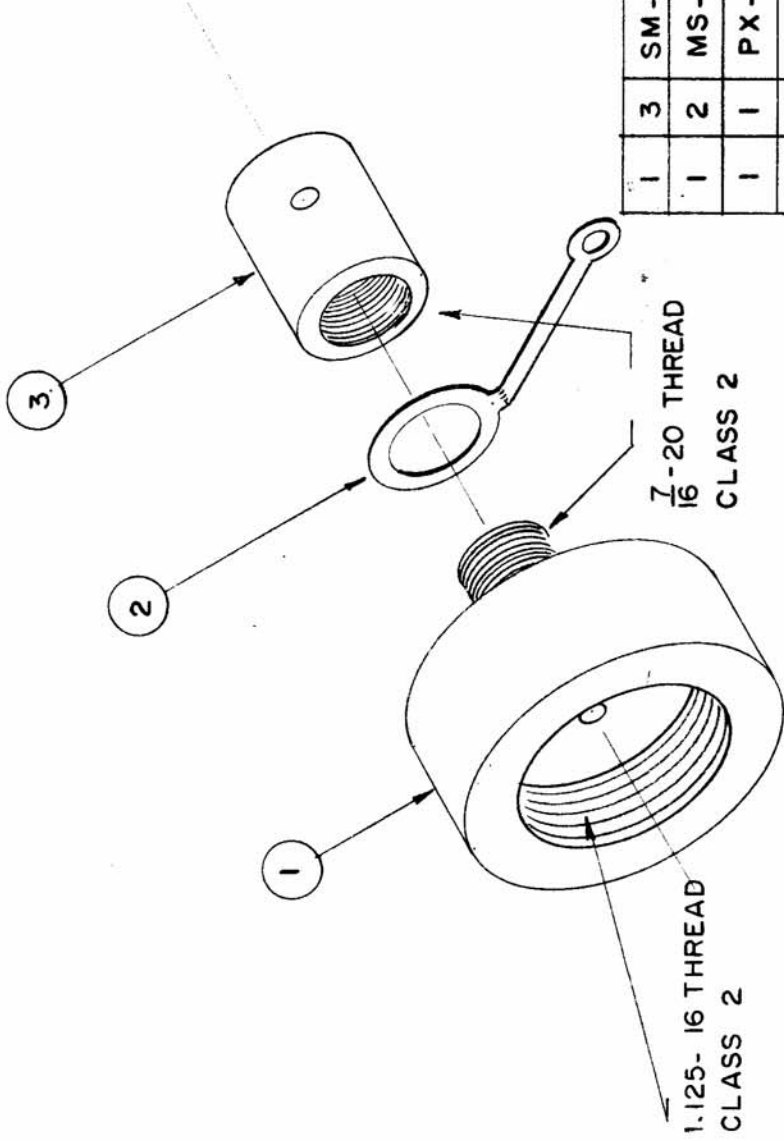


IF IT IS FOUND DESIRABLE TO CHANGE ANY TOLERANCE OR OTHER DETAIL SPECIFIED ON THIS DRAWING NOTIFY THE PURCHASER PROMPTLY.

MAXIMUM ALLOWABLE TOLERANCES HAVE BEEN DETERMINED AND DEVIATIONS WILL BE CAUSE FOR REJECTION. REMOVE ALL BURRS AND SHARP EDGES



A-575

USED ON

MODEL	PROJECT NO.	ASSY. NO.	DATE
ES 85 / U		A-113	10-23-53

REQ. ITEM	SM-104	NUT, CAP	SYMBOL
1	MS-108	LUG	
1	PX-102	CAP	
PART NO.		DESCRIPTION	
		THE TECHNICAL MATERIEL CORP.	
		MAMARONECK. NEW YORK	
STOCK SIZE		TEFLON CAP ASSEMBLY	
MATERIAL			
WEIGHT PER PC.			
TYPE & TEMPER		DRAWN <i>JAD</i> 10-23-53	
HEAT TREAT. SPEC.		ELEC. DES. APP.	
FINISH & SPEC. NO.		MECH. DES. APP. <i>WJC</i>	
		CHECKED	
		FINAL APPROVAL	
		A-575	

ISSUE ITEM	CHANGED FROM	DATE	CN. NO.	DRAFTS	CHECKER	ENG. APP.
				SCALE	FULL	
TOLERANCES						
DEC. DIM. ±						
ALL FRAC. DIM. ±						
OTHERS ANGULAR DIM. ±						
DRILL, PUNCH, COMMERCIAL STOCK SIZES AND MANUFACTURERS TOLERANCES ARE NOT INCLUDED.						