

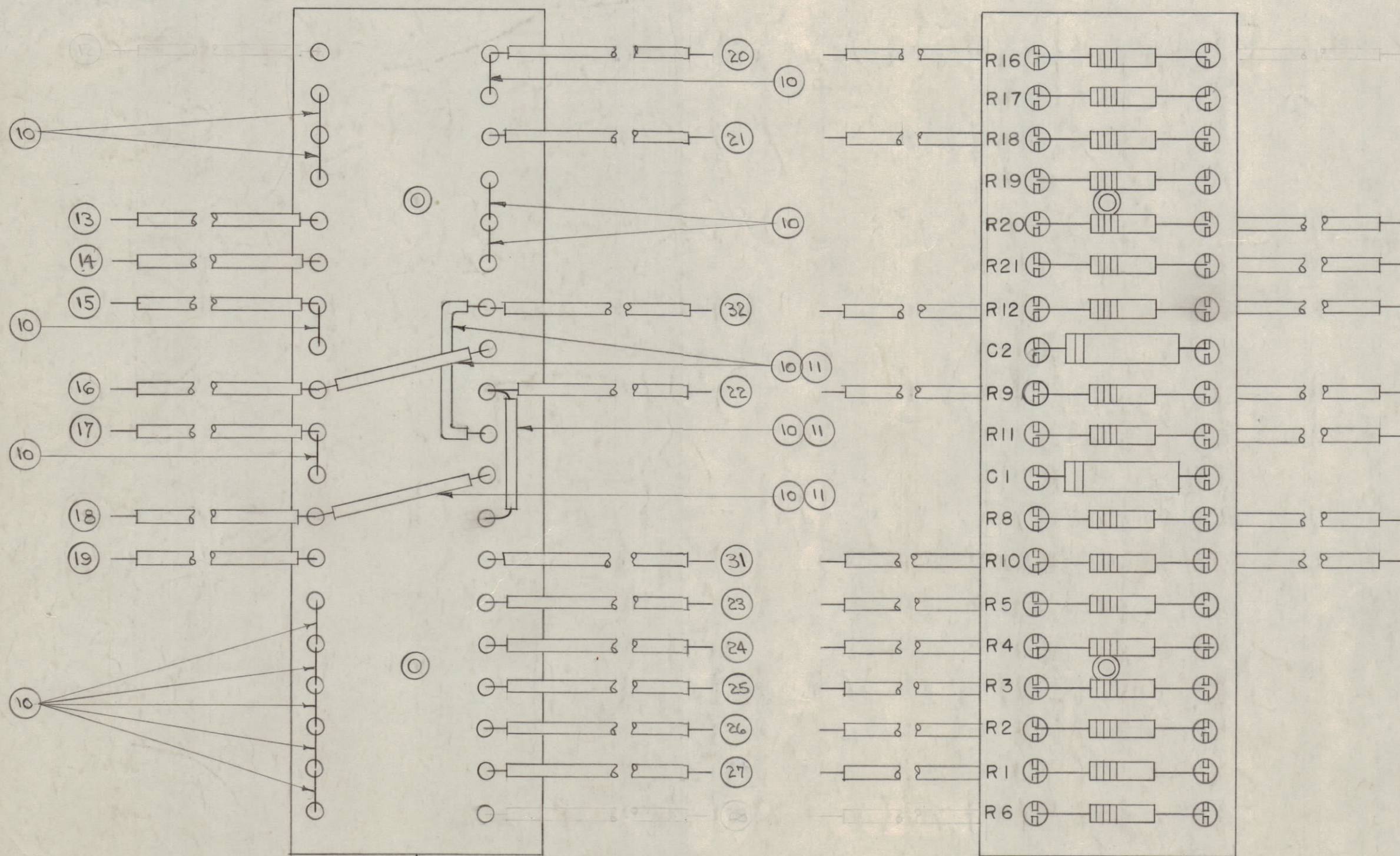
IF IT IS FOUND DESIRABLE TO CHANGE ANY TOLERANCE OR OTHER DETAIL SPECIFIED ON THIS DRAWING NOTIFY THE PURCHASER PROMPTLY.

MAXIMUM ALLOWABLE TOLERANCES HAVE BEEN DETERMINED AND DEVIATIONS WILL BE CAUSE FOR REJECTION. REMOVE ALL BURRS AND SHARP EDGES

NOTICE TO PERSONS RECEIVING THIS DRAWING

THE TECHNICAL MATERIEL CORPORATION claims proprietary right in the material disclosed hereon. This drawing is issued in confidence for engineering information only and may not be reproduced or used to manufacture anything shown hereon without permission from THE TECHNICAL MATERIEL CORPORATION to the user. This drawing is loaned for mutual assistance and is subject to recall at any time.

Property of:
THE TECHNICAL MATERIEL CORPORATION
MAMARONECK, NEW YORK



WIRE LENGTHS FOR MWC ARE TOTAL LENGTHS AND INCLUDE 3/4" EACH END FOR STRIPPING.

5 1/2"	32	MWC22(7)U0	WIRE, ELECTRICAL (BLK.)	
5 1/2"	31	MWC22(7)U0	WIRE, ELECTRICAL (BLK.)	
1"	30	RC20GF561K	RESISTOR, FIXED	R6
X	29	BS-100	SOLDER, SOFT (ALL CONNECTIONS)	
#	28	DELETED	"	
3 1/2"	27	MWC22(7)U3	WIRE, ELECTRICAL (OR.)	
3 1/2"	26	U3	" , " (OR.)	
3 3/4"	25	U3	" , " (OR.)	
4"	24	U3	" , " (OR.)	
4 1/4"	23	U3	" , " (OR.)	
7"	22	U2	" , " (RED)	

A-539 H

5"	21	U6	" , " (BLUE)	
5 1/2"	20	U3	" , " (OR.)	
3"	19	U4	" , " (YEL.)	
3"	18	U6	" , " (BLUE)	
4 1/2"	17	U5	" , " (GRN.)	
5"	16	U6	" , " (BLUE)	
4 1/4"	15	U5	" , " (GRN.)	
6"	14	U6	" , " (BLUE)	
6"	13	MWC22(7)U3	" , " (OR.)	
	12			

X	11	PX-100-1-022	INSULATION, SLEEVING, (BLK.)	
X	10	WL-100-8	WIRE, BUSS BAR 24 GA.	
1	9	RC20GF431J	RESISTOR, FIXED	R19
4	8	RC20GF161J	" , "	
1	7	RC20GF113J	" , "	R16
2	6	RC20GF474K	" , "	R12 R11
1	5	RC20GF821K	" , "	R10
2	4	RC20GF104K	" , "	R9 R8
5	3	RC20GF391K	" , "	
2	2	CN-100-3	CAPACITOR, MICA	C2 C1
1	1	A-559	TERM. BD. SUB-ASSY.	

R21
R20
R18
R17
R15
R14
R13
R11

ISSUE	ITEM	CHANGED FROM	DATE	CN. NO.	DRAFTS	CHECKER	ENG. APP.
H	2	RSM-3 REF ADDED	6-4-63	9198	1	gmy	MJE
G	1	WIRE PART NOS UPDATED & STANDARDIZED	8/1/66	7	1	gmy	AJJ
F	2	ITEM 12 DELETED	11/20/54	6	1	gmy	AJJ
F	1	ITEM 28 WAS SCR 3/16/22U3	11/20/54	6	1	gmy	AJJ
E	1	ITEM 12 WAS 10V2		5	1	gmy	WJE
E	1	ITEM 3 WAS RC20GF391J	8/20/55	5	1	gmy	WJE
D	2	ITEM 32 ADDED		4	1	gmy	KZ
D	1	WIRE LENGTHS CHANGED	9-6-55	4	1	gmy	KZ
D	1	ITEM 2 CM35B103K		4	1	gmy	KZ
C	2	ITEM 31 ADDED	10/1/54	3	1	gmy	KZ
C	1	JUMPER ADDED		3	1	gmy	KZ
B	1	ITEM 2 WAS CN-100-3	11-5-54	2	1	gmy	KZ
A	1	ITEM 30 WAS ITEM 3	9-20-53	1	1	gmy	KZ

TOLERANCES		SCALE:	
ALL OTHERS	DEC. DIM. ± FRAC. DIM. ± ANGULAR DIM. ±	DRILL, PUNCH, COMMERCIAL STOCK SIZES AND MANUFACTURERS TOLERANCES ARE NOT INCLUDED.	

RSM-3		A-832	6-4-63
RSM-2	170	A-840	9-20-54
MODEL	PROJECT NO.	ASS'Y. NO.	DATE
USED ON			

REQ.	ITEM	PART NO.	DESCRIPTION	SYMBOL
THE TECHNICAL MATERIEL CORP. MAMARONECK, NEW YORK				
TERM. BOARD ASSEMBLY				
RSM				
TYPE & TEMPER		CDD. 10-5-53	P.R.K. 10-5-53	WJE
DRAWN		ELEC. DES. APP.		MECH. DES. APP.
CHECKED		A. J. J.		KZ
HEAT TREAT. SPEC.		SUPERCEDES		FINAL APPROVAL
FINISH & SPEC. NO.		RSM-1		A-539 H