

IF IT IS FOUND DESIRABLE TO CHANGE ANY TOLERANCE OR OTHER DETAIL SPECIFIED ON THIS DRAWING NOTIFY THE PURCHASER PROMPTLY.

MAXIMUM ALLOWABLE TOLERANCES HAVE BEEN DETERMINED AND DEVIATIONS WILL BE CAUSE FOR REJECTION. REMOVE ALL BURRS AND SHARP EDGES

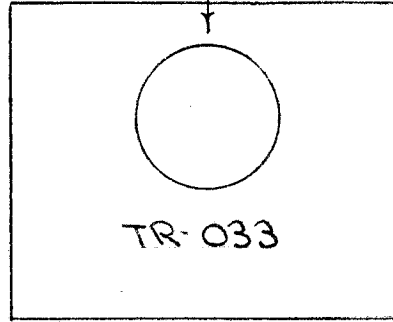
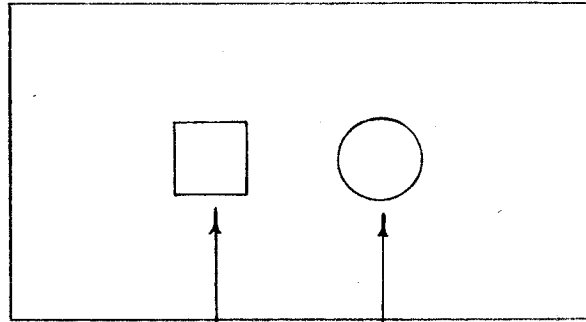
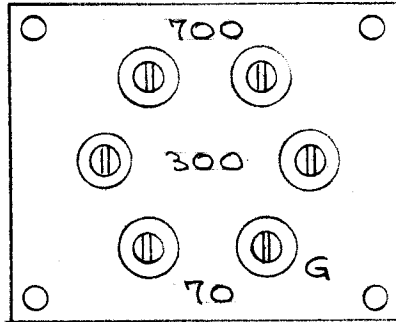
STAMP AS SHOWN

NP-136 TMC INSIGNIA

BOTTOM

SIDE

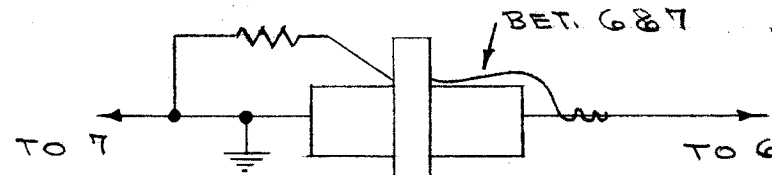
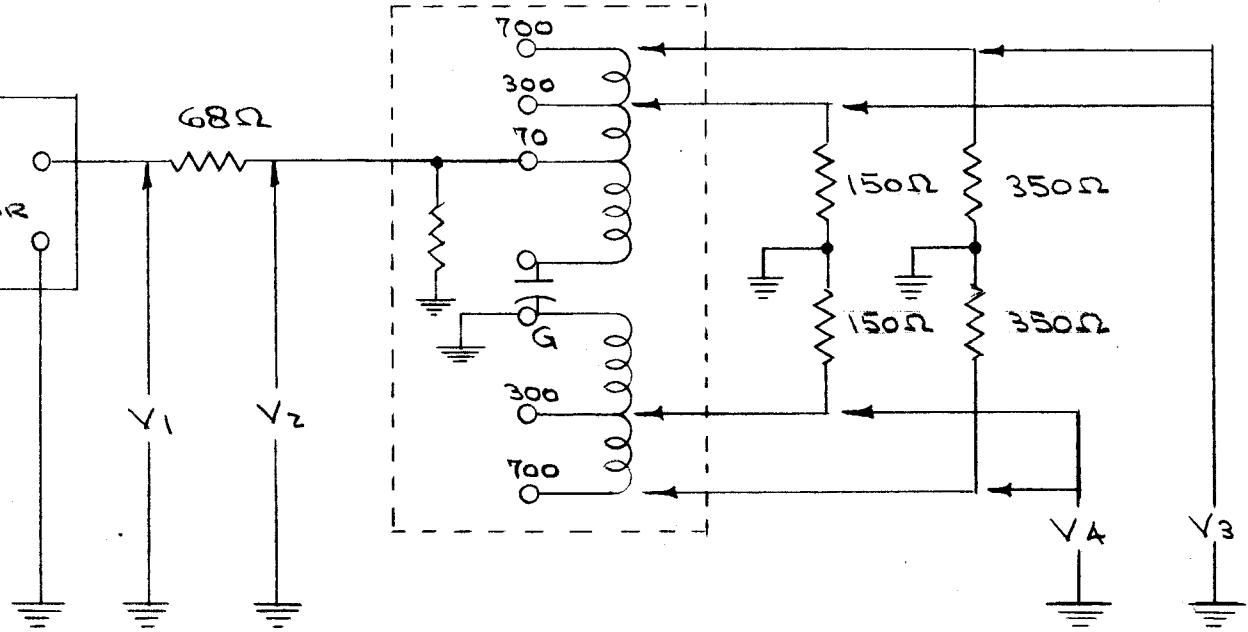
TOP



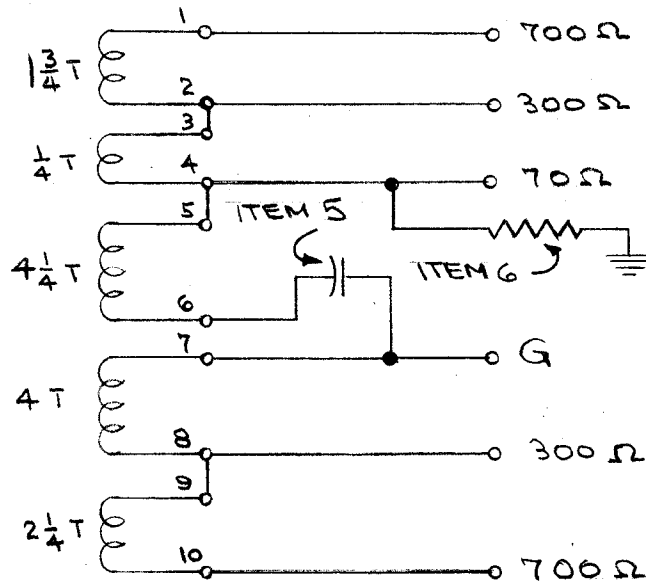
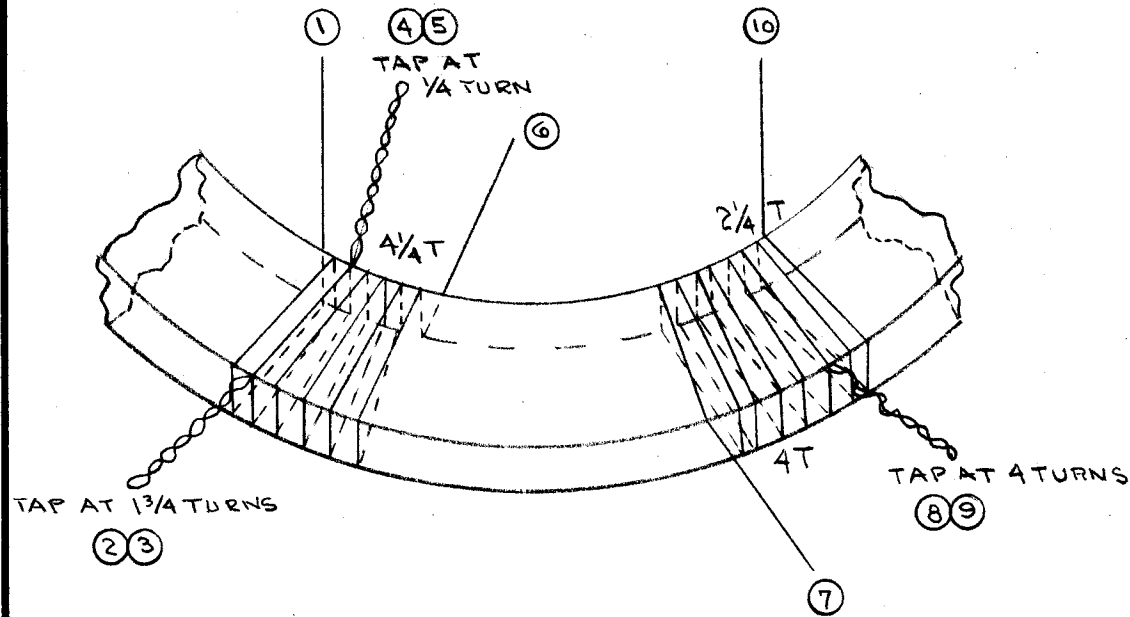
APPROVAL STAMP
INSPECTION STAMP

A-513 B

SIGNAL GENERATOR



f.m.c.	700 Ω TERM.				300 Ω TERM			
	V ₁	V ₂	V ₃	V ₄	V ₁	V ₂	V ₃	V ₄
2.0	1.0	.48	.76	.72	1.0	.48	.50	.48
8.0	1.0	.50	.78	.74	1.0	.48	.50	.48
32.0	1.0	.58	.72	.81	1.0	.56	.43	.56
54.0	1.0	.63	.67	.86	1.0	.58	.40	.58



REQ.	ITEM	PART NO.	DESCRIPTION	SYMBOL
1	7	NP-136	TMC INSIGNIA	
1	6	RC30GF103K	RESISTOR, FIXED	
1	5	CN-100-3	CAPACITOR, FIXED	
X	4	GL-100	POTTING COMPOUND	
X	3	WI-102-9	WIRE	
1	2	GI-104	CORE	
1	1	BX-107	CASE, COVER,	

REQ.	ITEM	PART NO.	DESCRIPTION	SYMBOL
THE TECHNICAL MATERIEL CORP. MAMARONECK, NEW YORK				
ANTENNA COUPLER				
TR-033 700/300/70				
C.D.D. 3-15-54				
DRAWN: <i>RFB</i> ELEC. DES. APP. <i>WDE</i>				
CHECKED: <i>WDE</i> FINAL APPROVAL <i>RFB</i>				
A-513 B				

**NOT TO BE RELEASED
W/O AUTHORIZATION**

AUTH. BY: _____
DATE: _____

ISSUE	ITEM	CHANGED FROM	DATE	CN. NO.	DRAFTS	CHECKER	ENG. APP.
B	17(1)	WAS BX100-B	5.17.68	18930	HS	<i>[Signature]</i>	EFM
A	1	REDRAWN - ITEM 7 ADDED	3-15-54	1	C.D.D.	<i>[Signature]</i>	<i>[Signature]</i>

TOLERANCES		SCALE:
ALL OTHERS	DEC. DIM. ± FRAC. DIM. ± ANGULAR DIM. ±	DRILL, PUNCH, COMMERCIAL STOCK SIZES AND MANUFACTURERS TOLERANCES ARE NOT INCLUDED.

MODEL	PROJECT NO.	ASSY. NO.	DATE

USED ON

FINISH & SPEC. NO.