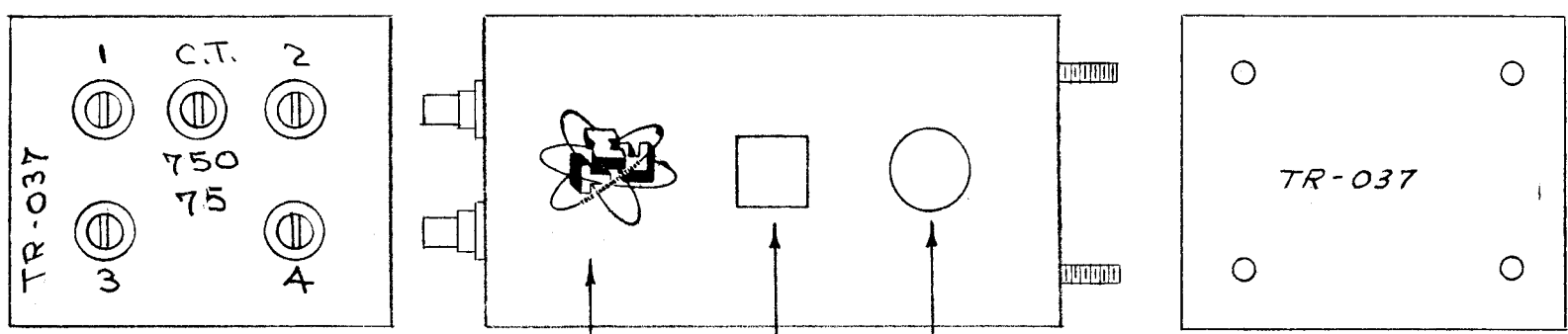


IF IT IS FOUND DESIRABLE TO CHANGE ANY TOLERANCE OR OTHER DETAIL SPECIFIED ON THIS DRAWING NOTIFY THE PURCHASER PROMPTLY.

MAXIMUM ALLOWABLE TOLERANCES HAVE BEEN DETERMINED AND DEVIATIONS WILL BE CAUSE FOR REJECTION. REMOVE ALL BURRS AND SHARP EDGES

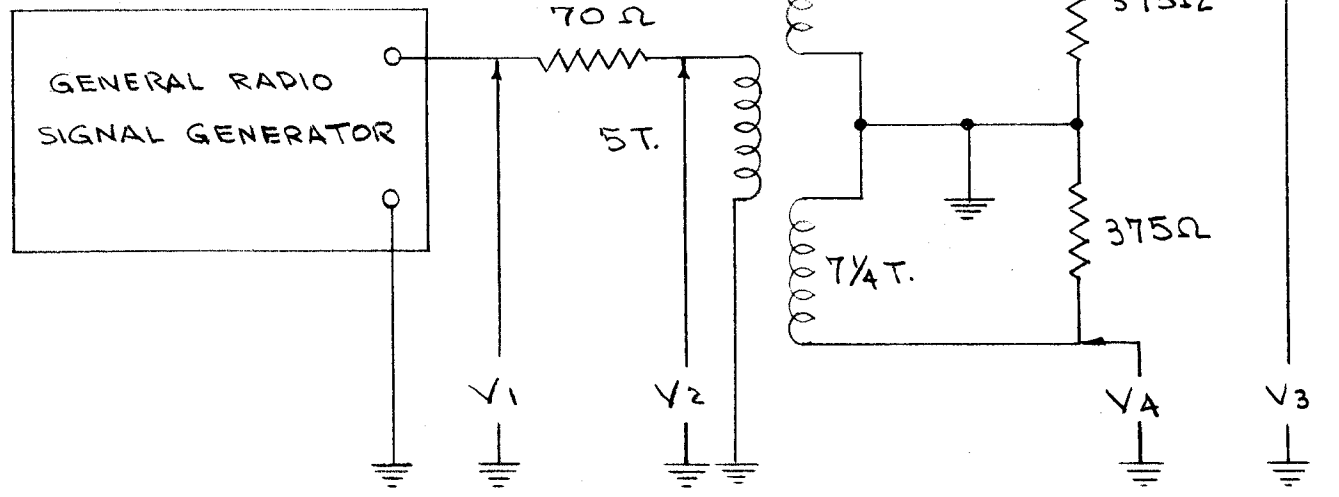
A-508 B

STAMP TOP & CASE AS SHOWN
(METAL STAMP BEFORE PAINTING - 1/8 BLACK GOTHIC AFTER PAINTING)



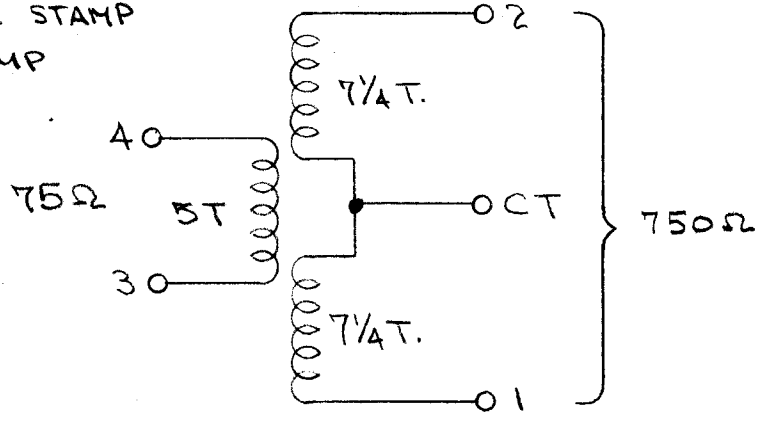
NOTE: FINISH
S-114 ZINC CHROMATE PRIMER
S-115 SMOOTH GREY ENAMEL

STAMP T.M.C. INSIGNIA
INSPECTION STAMP
APPROVAL STAMP



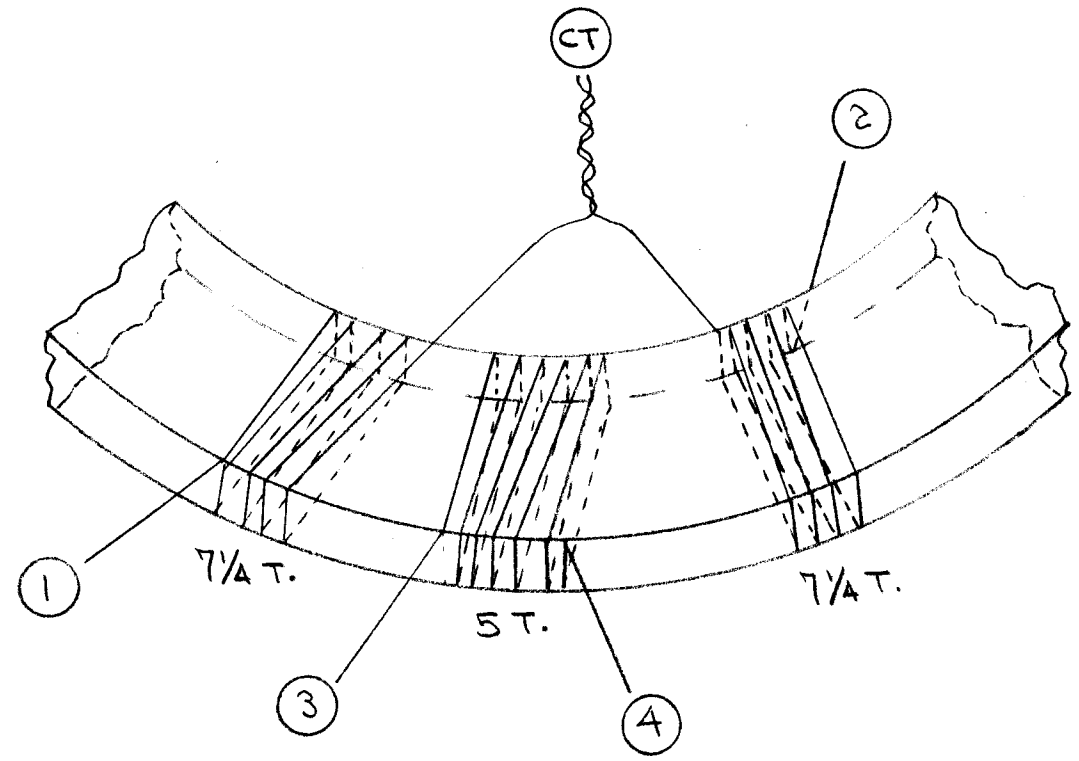
f.m.c.	RF VOLTS *			
	V1	V2	V3	V4
1.5	1.0	.52	.78	.8
2.1	1.0	.52	.78	.8
3.0	1.0	.52	.78	.8

* H.P. VTVM

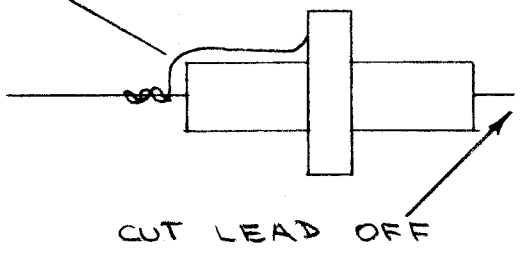


f.m.c.	IMPEDANCE *	
	R	XL
1.5	68	23
2.1	71	20
3.0	73	20

* GEN. RADIO SIGNAL



ONE END OF 75Ω WINDING



CUT LEAD OFF

CONDENSER USED AS SUPPORT ONLY

**NOT TO BE RELEASED
W/O AUTHORIZATION**

AUTH. BY:
DATE:

REQ.	ITEM	PART NO.	DESCRIPTION	SYMBOL
1	5	NP-117	T.M.C. INSIGNIA	
1	4	CN-100-3	CAPACITOR, FIXED	
X	3	WE-102-11	WIRE	
1	2	CI-104	CORE	
1	1	BX-110	CASE	
THE TECHNICAL MATERIEL CORP.				
MAMARONECK, NEW YORK				
TRANSFORMER				
TR-037				
C.I.D.D. 3-15-54			ARB	WOC
DRAWN		ELEC. DES. APP.		MECH. DES. APP.
CHECKED		FINAL APPROVAL		
SEE NOTE				A-508 B
FINISH & SPEC. NO.				

ISSUE	ITEM	CHANGED FROM	DATE	CN. NO.	DRAFTS	CHECKER	ENG. APP.
B	1	FINISH ADDED	3-15-54	2	ARB	WOC	
A	1	REDRAWN - ITEM 5 ADDED	3-15-54	1	CDD	ARB	

TOLERANCES		SCALE:
ALL OTHERS	DEC. DIM. ± FRAC. DIM. ± ANGULAR DIM. ±	DRILL, PUNCH, COMMERCIAL STOCK SIZES AND MANUFACTURERS TOLERANCES ARE NOT INCLUDED.

REQ. PER UNIT	MODEL	PROJECT NO.	ASS'Y. NO.	DATE