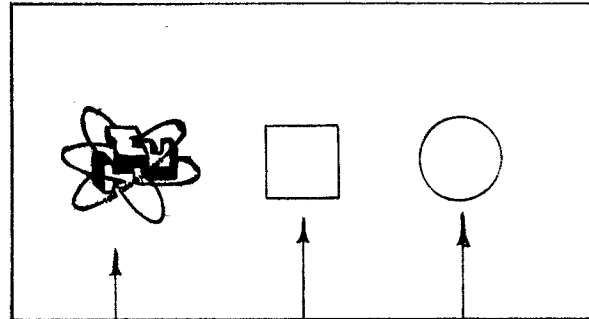
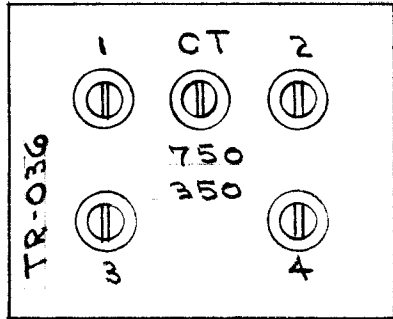


IF IT IS FOUND DESIRABLE TO CHANGE ANY TOLERANCE OR OTHER DETAIL SPECIFIED ON THIS DRAWING NOTIFY THE PURCHASER PROMPTLY.

MAXIMUM ALLOWABLE TOLERANCES HAVE BEEN DETERMINED AND DEVIATIONS WILL BE CAUSE FOR REJECTION. REMOVE ALL BURRS AND SHARP EDGES

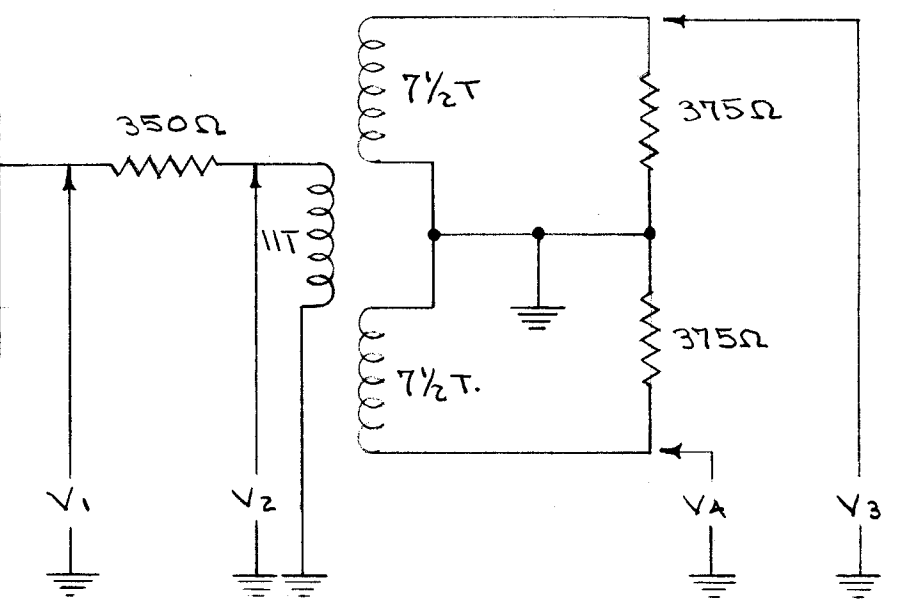
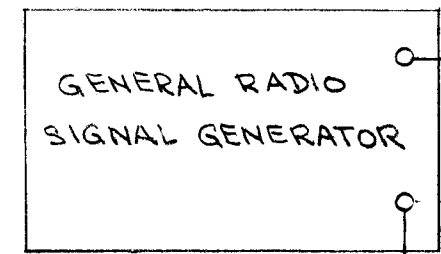
A-507 B

METAL STAMP BEFORE PAINTING
 1/8 HIGH BLACK GOTHIC STAMPING
 AFTER PAINTING.



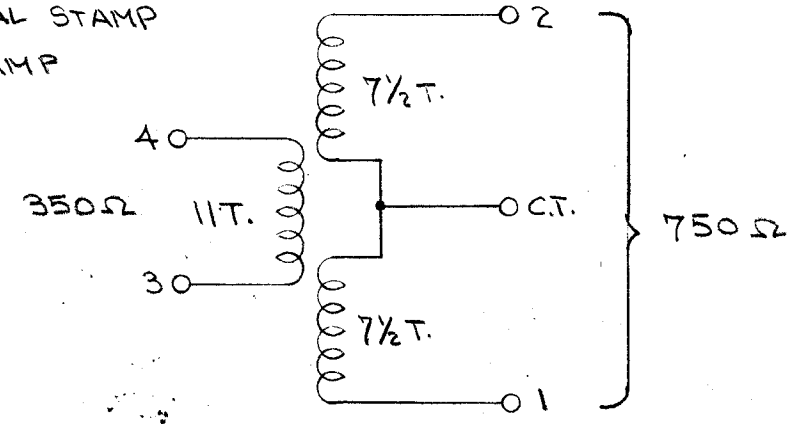
FINISH:
 S-114 - ZINC CHROMATE PRIMER
 S-115 - SMOOTH GRAY ENAMEL

APPROVAL STAMP
 INSPECTION STAMP
 NP-117 T.M.C. INSIGNIA



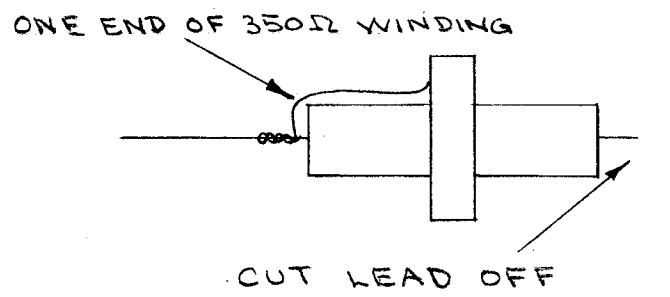
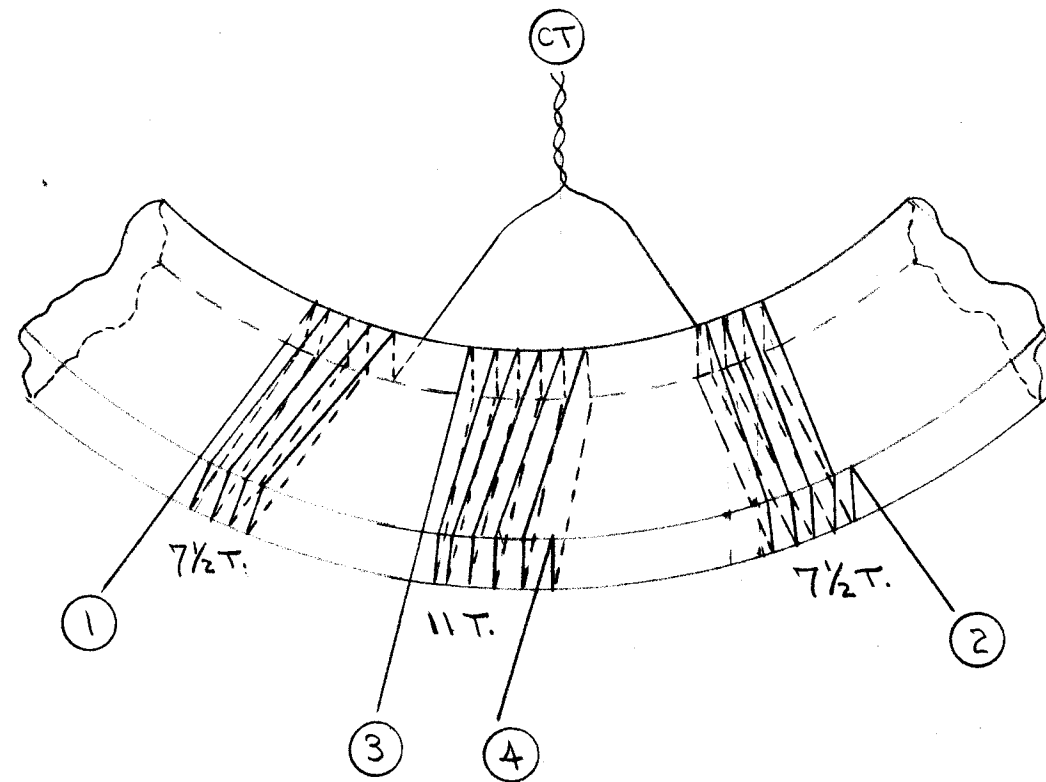
f.m.c.	R.F. VOLTS			
	V1	V2	V3	V4
1.5	1.0	.49	.34	.32
2.1	1.0	.49	.34	.32
3.0	1.0	.49	.35	.32

H.P. VTVM.



f.m.c.	IMPEDANCE	
	R	XL
1.5	330	92
2.1	340	76
3.0	348	63

GEN. RADIO SIGNAL



CONDENSER USED AS SUPPORT ONLY

REQ.	ITEM	PART NO.	DESCRIPTION	SYMBOL
1	5	NP-117	T.M.C. INSIGNIA	
1	4	CN-100-3	CAPACITOR, FIXED	
X	3	WI-102-11	WIRE	
1	2	CI-10A	CORE	
1	1	BX-110	CASE	

**NOT TO BE RELEASED
 W/O AUTHORIZATION**

AUTH. BY.....
 DATE:.....

ISSUE	ITEM	CHANGED FROM	DATE	CN. NO.	DRAFTS	CHECKER	ENG. APP.
B	1	NP-117 WAS NP-136	5/12/54	2	JAD		
A	1	REDRAWN - ITEM 5 ADDED	3/15/54	1	CAD		

TOLERANCES		SCALE:
ALL OTHERS	DEC. DIM. ± FRAC. DIM. ± ANGULAR DIM. ±	DRILL, PUNCH, COMMERCIAL STOCK SIZES AND MANUFACTURERS TOLERANCES ARE NOT INCLUDED.

MODEL	PROJECT NO.	ASS'Y. NO.	DATE

REQ.	ITEM	PART NO.	DESCRIPTION	SYMBOL
#				
STOCK SIZE				
#				
MATERIAL WEIGHT PER PC.				
#				
TYPE & TEMPER				
#				
HEAT TREAT. SPEC.				
SEE NOTE				
FINISH & SPEC. NO.				

THE TECHNICAL MATERIEL CORP. MAMARONECK, NEW YORK		
TRANSFORMER		
TR-036		
ADD. 3-15-54	ARB	WJC
DRAWN	ELEC. DES. APP.	MECH. DES. APP.
JAD	ARB	
CHECKED	FINAL APPROVAL	
	A-507	B