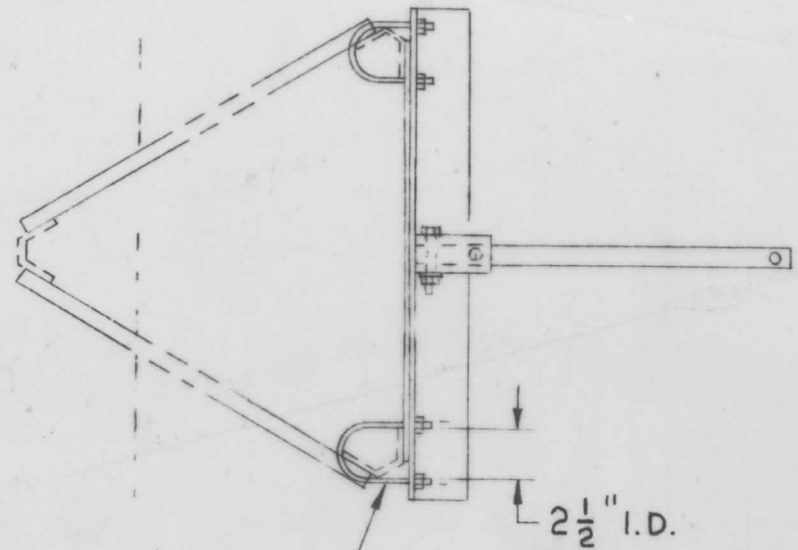
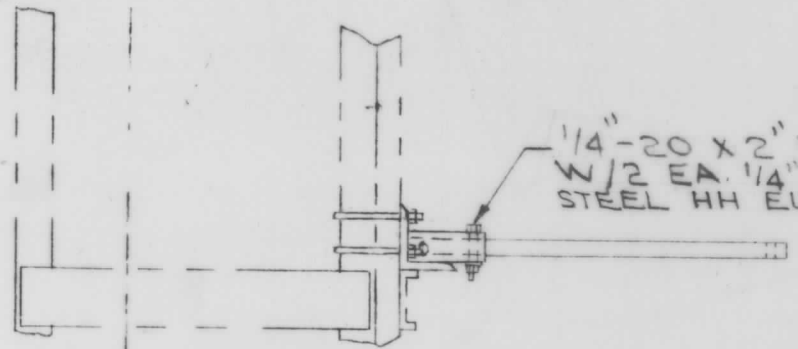


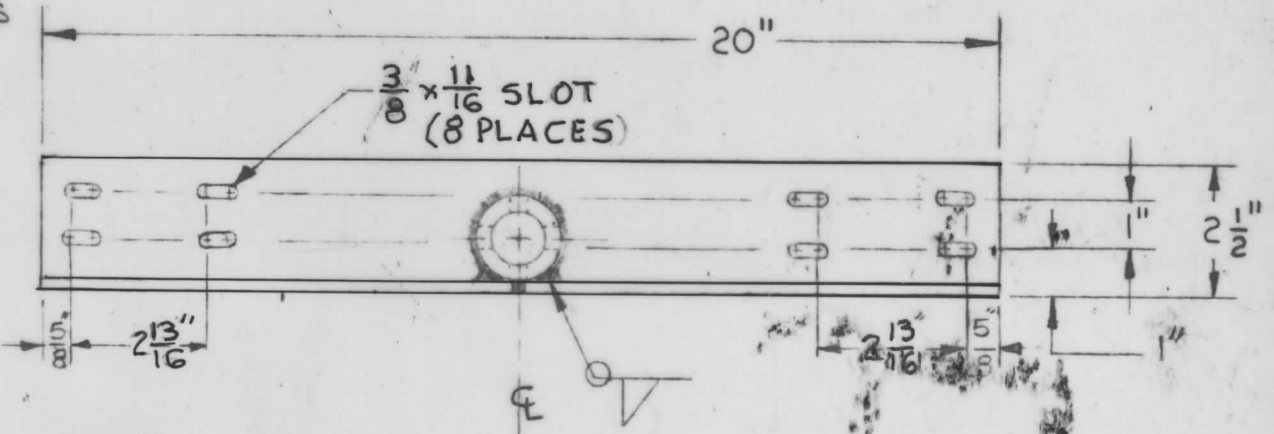
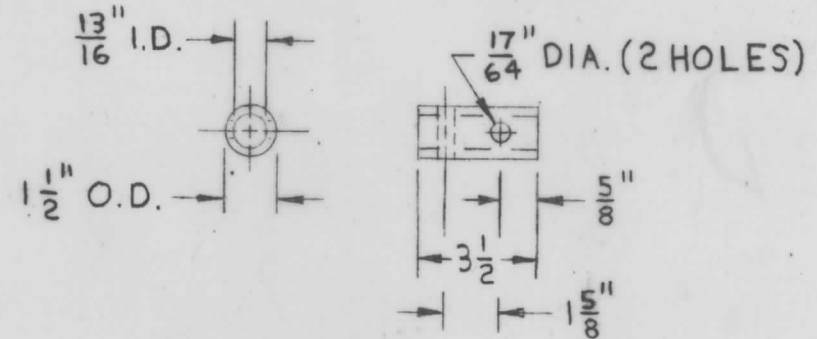
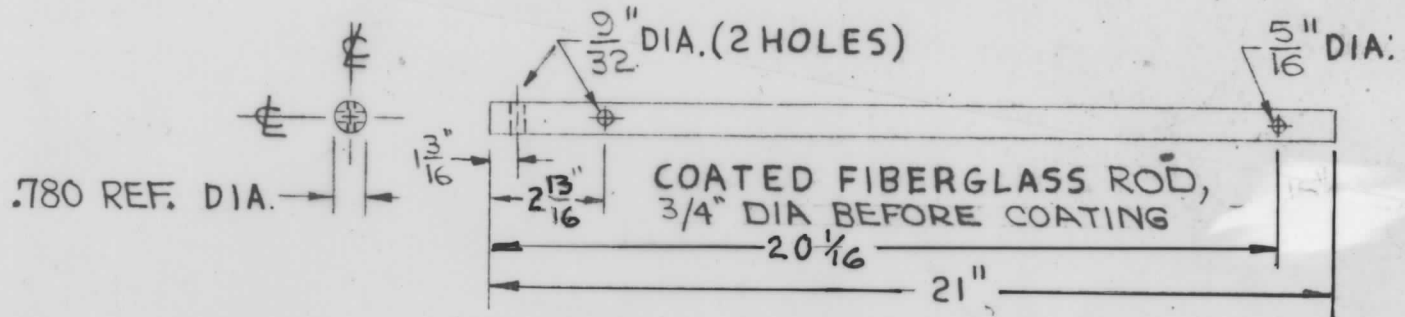
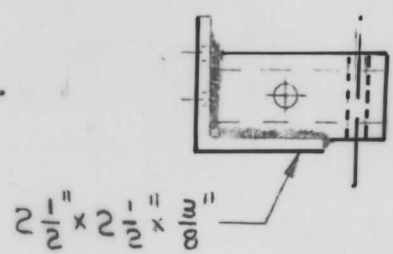
REVISIONS				
ZONE	SYM.	DESCRIPTION	DATE	APPROVAL
	A	5/16" WAS 3/32", 15/16" WAS 3/4", 2 13/16" WAS 2 7/8", 1 3/16" WAS 1 1/4", 780 WAS 3/4", 3/8" X 2 1/2" X 4" WAS 5/16" X 4"	10-27-66	JJK
F3	B	DIM ADDED (20 1/4)	11/7/66	



U-BOLT
3/8" x 2 1/2" x 4"
GALV. STEEL W/ 3/8"-16 NC THREAD AND
NUTS AND FLAT WASHERS
4 REQD.



1/4"-20 x 2" LG HH STAINLESS STEEL BOLT
W/ 2 EA. 1/4" SS FLAT WASHER AND STAINLESS
STEEL HH ELASTIC STOP NUT (2 PLACES)



REQD.	PART NO.	ITEM	DESCRIPTION	MATL. OR MFR.	MATL. SPEC. OR CAT. NO.	CKT. SYM.	UNIT WT.	ZONE
LIST OF MATERIAL								

UNLESS OTHERWISE SPECIFIED DIMENSIONS ARE IN INCHES	SIGNATURE	DATE
	QR. <i>Ewing B Taylor</i>	3/13/66
	CHK. <i>R. Weller</i>	3/15/66
	ENGR. <i>P.V. Gureckis</i>	3/15/66
TOLERANCES ON: DEC. FRACT. ANG. RMS. FIN.		
MATERIAL: ALUMINUM 6061-T6		
FINISH: ETCH & IRIDITE		
USED ON	PROJ. APPD.	

**INSULATOR
STANDOFF BRACKET**

T.M.C. KIT # 312
FOR UTILITY TOWER
TYPE "170 K.D."

SCALE: NONE JOB # 237-7

THE TECHNICAL MATERIEL CORP.
700 FENIMORE ROAD
MAMARONECK, N. Y.

A4814

B237704 REV. B

SHEET 1 OF 1