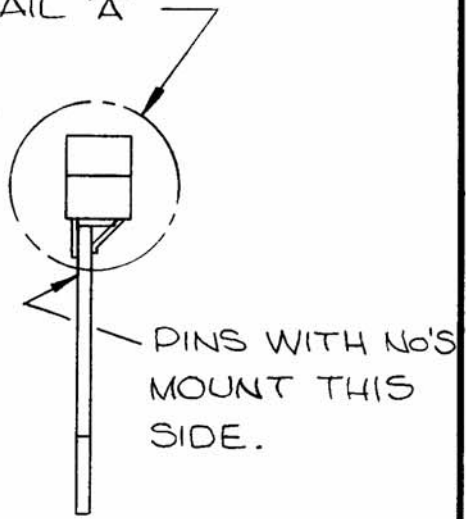
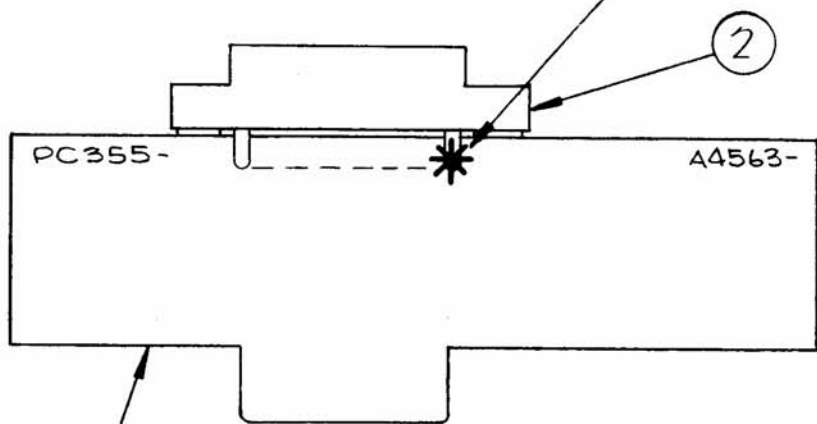


APPLICATION			REVISIONS						
QTY	MODEL USED ON	ASS'Y NO.	LTR	DESCRIPTION	DATE	E.M.N. NO	DRAFT	CHKD	APPD
1	VOX-7	AX651	X	EXP. RELEASE	1-24-67		WHD		
1	MMX-1	AX652	X1	IT. 2 WAS JJ319A-6D-T-E	2-17-67		RME		
1	MMX-1		X2	REMOVED HFSR-4 (MMX-1) ADD.	11-10-67		HS		
			Ø	ORIG. RELEASE FOR PROD	12-8-67		RG		

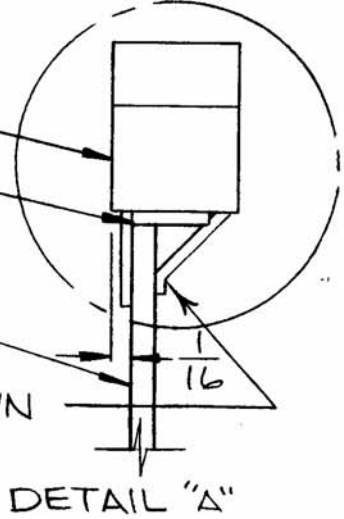
SOLDER AS SHOWN BOTH SIDES. TYPICAL ALL PINS.

SEE DETAIL "A"



1

CONNECTOR
CONNECTOR MUST SIT FLUSH ON P.C. BOARD
PRINTED CIRCUIT BOARD
CRIMP PINS EVENLY AS SHOWN



REQ'D	ITEM	PART NUMBER	DESCRIPTION	SYM.
X	3	BS100	SOLDER, TIN ALLOY	
1	2	JJ319-6D-P-E	CONNECTOR, RECEPTACLE	
1	1	PC355	PRINTED CIRCUIT BOARD	

UNLESS OTHERWISE SPECIFIED DIMENSIONS ARE IN INCHES AND INCLUDE CHEMICALLY APPLIED OR PLATED FINISHES

DECIMALS	FRACTIONS	TOLS.	ANGLES
.X ± .05	1/64		
.XX ± .01			0°-30'
.XXX ± .005			
MATERIAL	4		
FINISH	4		
S401-451			

O. POSE		LIST OF MATERIAL	
APPROVAL	DATE	12-9-67	
MECH. DES.	DATE	12/7/67	
ELECT. DES.	DATE	12-7-67	
CHECKED	DATE	12-7-67	
DRAWN	DATE	1-24-67	

THE TECHNICAL MATERIEL CORP.
MAMARONECK, NEW YORK

ASS'Y PRINTED CIRCUIT BD
TEST CARD

NOTICE TO PERSONS RECEIVING THIS DRAWING
THE TECHNICAL MATERIEL CORPORATION claims proprietary right in the material disclosed hereon. This drawing is issued in confidence for engineering information only and may not be reproduced or used to manufacture anything shown hereon without permission from THE TECHNICAL MATERIEL CORPORATION to the user. This drawing is loaned for mutual assistance and is subject to recall at any time.

SIZE	CODE IDENT. NO.	DWG NO.	ISSUE
A	82679	A4563	Ø
SCALE 1:1	SHEET OF		