

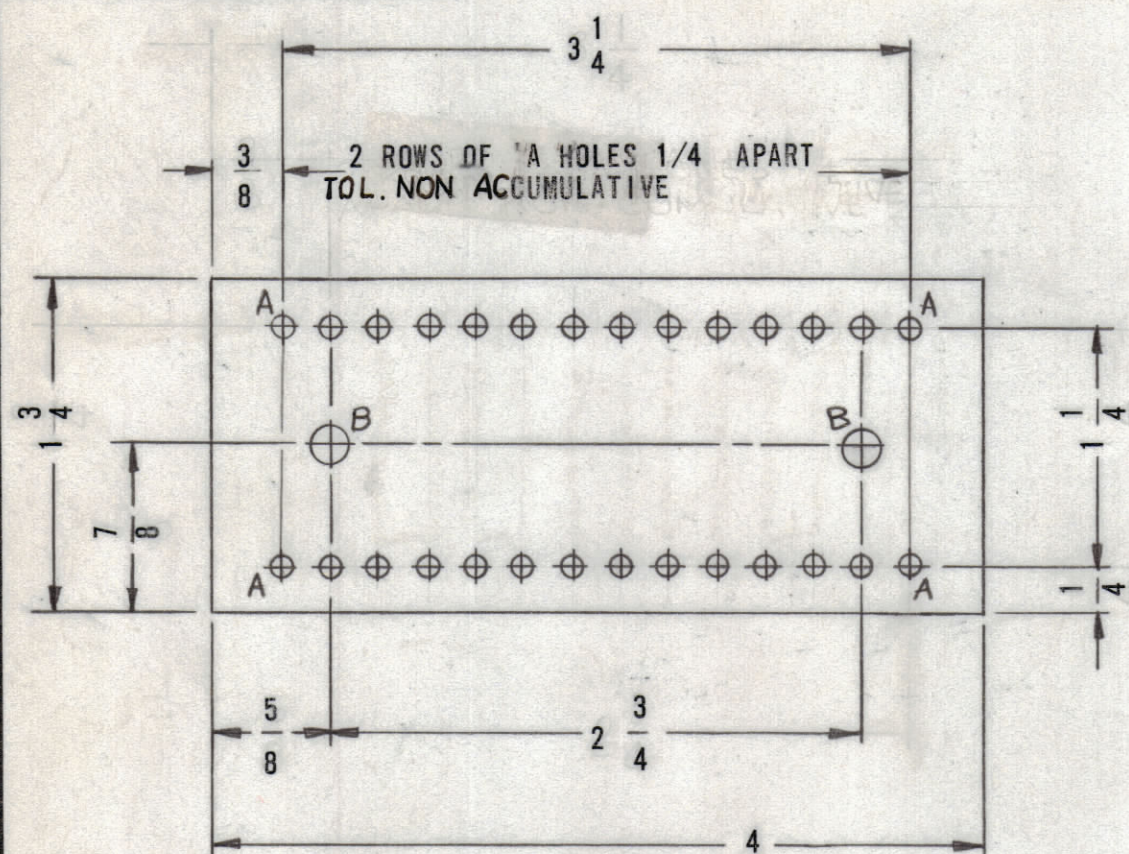
HOLES	DESCRIPTION	REQ
A	#32 DRILL	28
B	.189 DIA	2

MATERIAL:  
1/8 THICK PHENOLIC XXXP

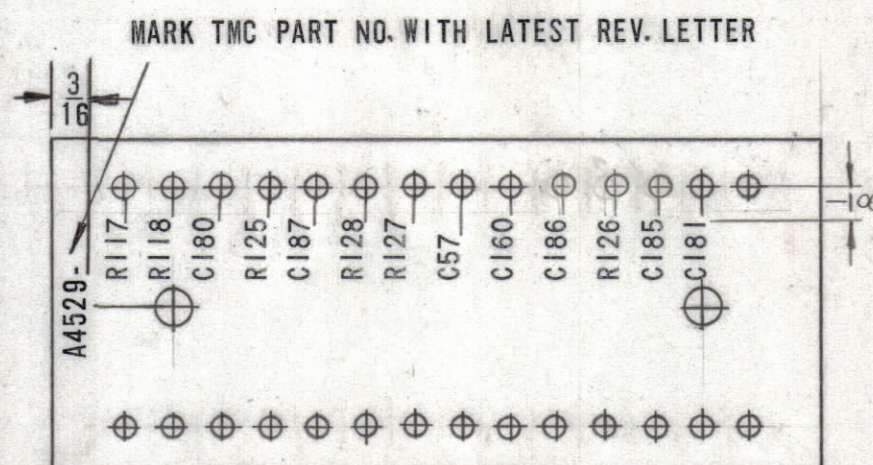
FINISH:  
FUNGUS PROOFING PER TMC SPECIFICATION S113

REVISIONS

ZONE	LTR	DESCRIPTION	DATE	E.M.N.NO	DRAFT	CHKD	APPD
	B	REDRAWN W/REVISIONS (WAS 2512)	6-6-67	18148	WHO	RH	
	C	ADD. 17, 14 & 15 2" LG	6-6-71	18388	RZ	W. G. P.	



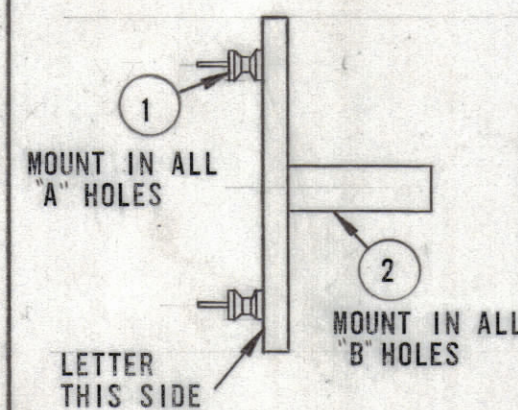
MACHINING  
A4529-1



MARKING PROCESS: AS PER TMC SPECIFICATION S727.

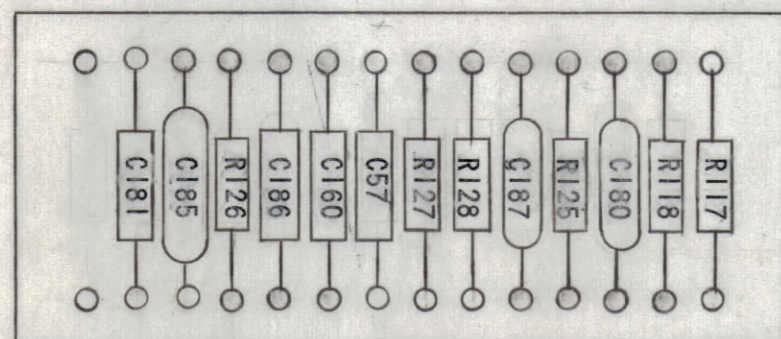
LETTERING: 1/8 HIGH BLACK GOTHIC

LETTERING  
A4529-2

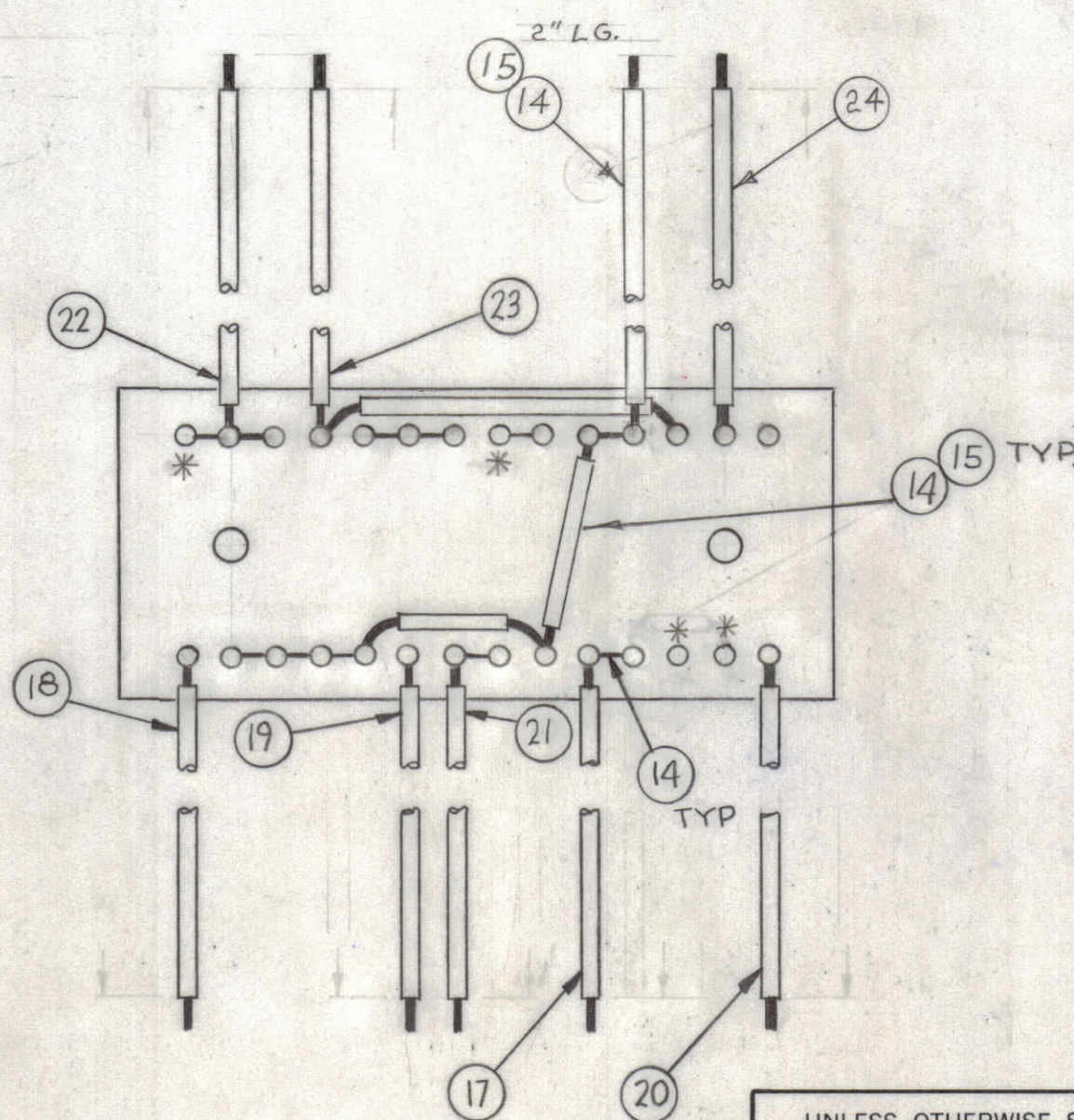


SUB ASS'Y  
A4529-3

FINAL ASS'Y  
A-4529-4



UNLESS OTHERWISE SPECIFIED  
\* DO NOT SOLDER. SOLDER



6 1/2	24	MWC22(7)U5	WIRE, ELECTRICAL INS	
5 1/2	23	U06		
5 1/2	22	U93		
8 1/2	21	U6		
7 1/2	20	U4		
8 1/2	19	U2		
8 1/2	18	U92		
7 1/2	17	MWC22(7)U1	WIRE, ELECTRICAL INS	
X	16	BS100	SOLDER, TIN ALLOY	
X	15	WL100-7	WIRE, ELEC. BUSS	
X	14	PX104-1-.022	INSULATION, SLEEVING ELEC.	
1	13	CM15C100J03YY	CAPACITOR, FIXED MICA	C181
1	12	CC100-28	CAPACITOR, FIXED CERAMIC	C185
1	11	RC20GF684J	RESISTOR, FIXED COMP	R126
1	10	CM15C680J03	CAPACITOR, FIXED MICA	C186
1	9	CM15E501603YY	CAPACITOR, FIXED MICA	C180
1	8	CC215L470K	CAPACITOR, FIXED CERAMIC	C57
1	7	RC20GF472J	RESISTOR, FIXED COMP	R127
1	6	RC20GF153J	RESISTOR, FIXED COMP	R128
1	5	RC20GF122J	RESISTOR, FIXED COMP	R125
2	4	CC100-16	CAPACITOR, FIXED COMP	C180, 187
2	3	RC20GF124J	RESISTOR, FIXED COMP	R117, 118
2	2	TE108-24	NUT, PLAIN, CLINCH	B
28	1	TE109-3	TERMINAL, STUD	A

QTY. REQ.	ITEM	PART NO.	DESCRIPTION	SYMBOL
-----------	------	----------	-------------	--------

LIST OF MATERIAL

UNLESS OTHERWISE SPECIFIED  
DIMENSIONS ARE IN INCHES  
AND INCLUDE CHEMICALLY APPLIED  
OR PLATED FINISHES

FINAL APPROVAL	DATE
O.P. R.H.	11/8/66
MECH. DES.	DATE
ELECT. DES.	DATE
EH	10/26/66
CHECKED	DATE
DRAWN	DATE
RME	10.25.66

THE TECHNICAL MATERIEL CORP.  
MAMARONECK, NEW YORK

TERMINAL BOARD ASS'Y

1	GPR-90RXDS	ASS'Y NO.
QTY / UNIT	MODEL USED ON	
APPLICATION		
CODE	5401-451	
A		
NOTICE TO PERSONS RECEIVING THIS DRAWING		
THE TECHNICAL MATERIEL CORPORATION claims proprietary right in the material disclosed hereon. This drawing is issued in confidence for engineering information only and may not be reproduced or used to manufacture anything shown hereon without permission from THE TECHNICAL MATERIEL CORPORATION to the user. This drawing is loaned for mutual assistance and is subject to recall at any time.		
MATERIAL	SEE PICTORIAL	
FINISH	SEE PICTORIAL	

SIZE	CODE IDENT. NO.	DWG NO.	ISSUE
C	82679	A4529	C
SCALE	1:1	SHEET	OF