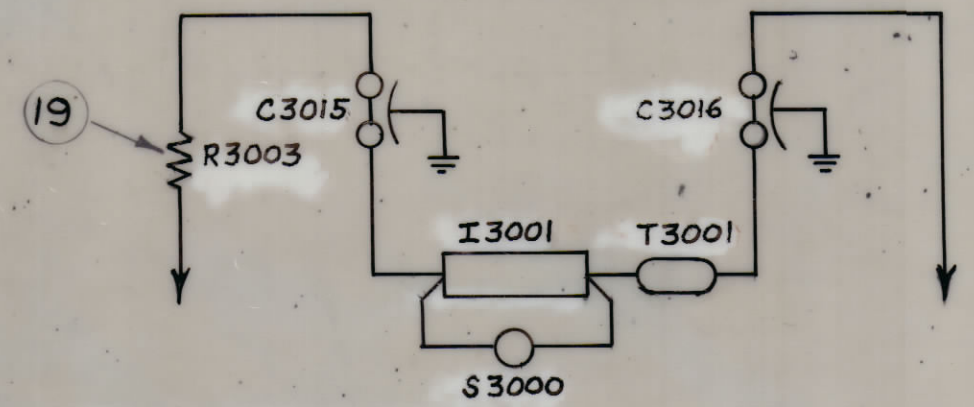
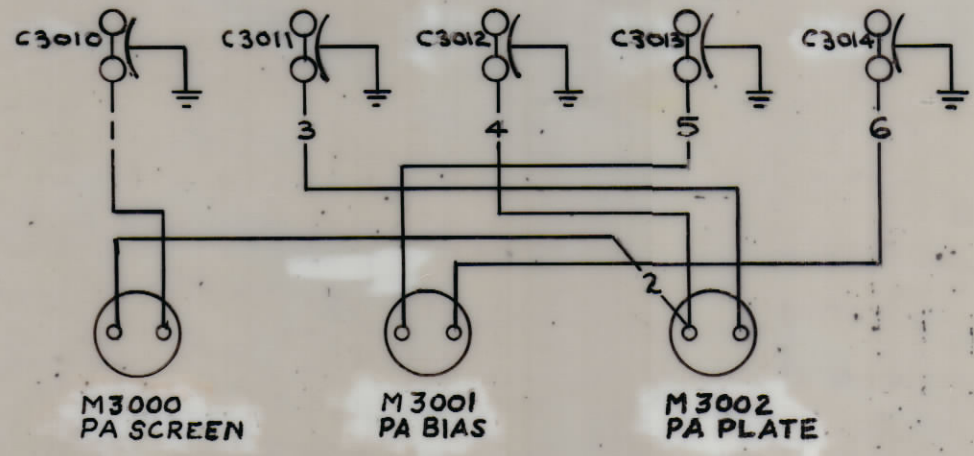
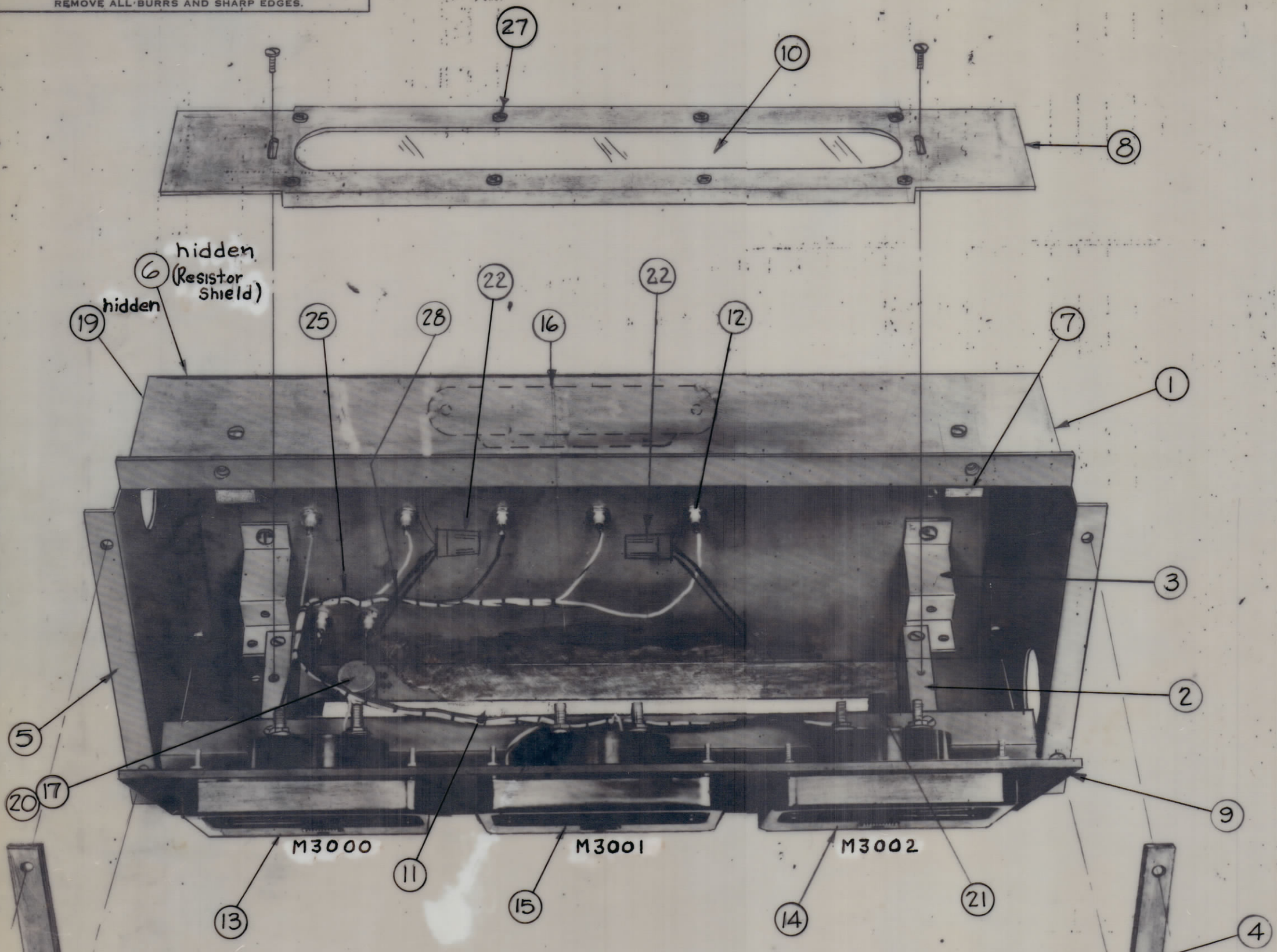


IF IT IS FOUND DESIRABLE TO CHANGE ANY TOLERANCE OR OTHER DETAIL SPECIFIED ON THIS DRAWING NOTIFY THE PURCHASER PROMPTLY.

MAXIMUM ALLOWABLE TOLERANCES HAVE BEEN DETERMINED AND DEVIATIONS WILL BE CAUSE FOR REJECTION. REMOVE ALL BURRS AND SHARP EDGES.



USE NPL-AX-107 FOR MTG HARDWARE

2 Hidden

Hidden

C3010, 3011, 3012, 3013, 3014, 3015, 3016

LD 1487

Hidden

LD-550

LD-549

REQ. ITEM	PART NO.	DESCRIPTION	SYMBOL
6"	28	MWC 18(16)00	CABLE, INSULATED
8	27	EY-100-1	Eyelet
X	26	BS-100	Solders Soft
1	25	CA-433	CABLE, METER BOX
	24	DELETED	
	23	DELETED	
4	22	NT-121-71B	Nuts Wire
2	21	TS-141	Socket, Lamp
			XI-3001A8
			A4483
1	20	TS-140	Socket, Starter
1	19	RW-102	Resistor, Wire Wound
	18	DELETED	
1	17	PO-170	Starter
1	16	PO-169	Ballast
1	15	MR-118	Meter, FIL, PRIMARY
1	14	MR-121	Meter, PA Plate
1	13	MR-173	Meter, PA Screen
7	12	CK70A102M	Capacitor, Feedthru
1	11	BI-107	Flourescent Lamp
1	10	PX-467	Window, Meter Light
1	9	PX-450	Meter Panel
1	8	MS-1705	Window Box
2	7	MS-1684	Bracket Panel Support (Top)
1	6	MS-1610	Cover, Meter Box
2	5	MS-1580	End Plate, Meter Box
2	4	MS-1579	Shim, Meter Box
2	3	MS-1554	Bracket, Panel Support (Bottom)
1	2	MS-1553	Chassis Meter Light
1	1	MS-1551	Meter Box
THE TECHNICAL MATERIEL CORP. MAMARONECK, NEW YORK			
AM 125 ASS'Y. (METER BOX, AUX. FRAME)			
DRAWN		ELEC. DES. APP.	
CHECKED		FINAL APPROVAL	
M/L DA		A 4483	

ORIGINAL RELEASE FOR PRODUCTION	5/18/67	CV	Eng. App.
ISSUE	ITEM	CHANGED FROM	DATE
TOLERANCES		SCALE: NONE	
ALL OTHERS	DEC. DIM. ±	DRILL, PUNCH, COMMERCIAL STOCK SIZES AND MANUFACTURERS TOLERANCES ARE NOT INCLUDED.	

1	GPT 10K LF	AM 125	9-8-66
REQ. PER UNIT	MODEL	PROJECT NO.	DATE
USED ON			