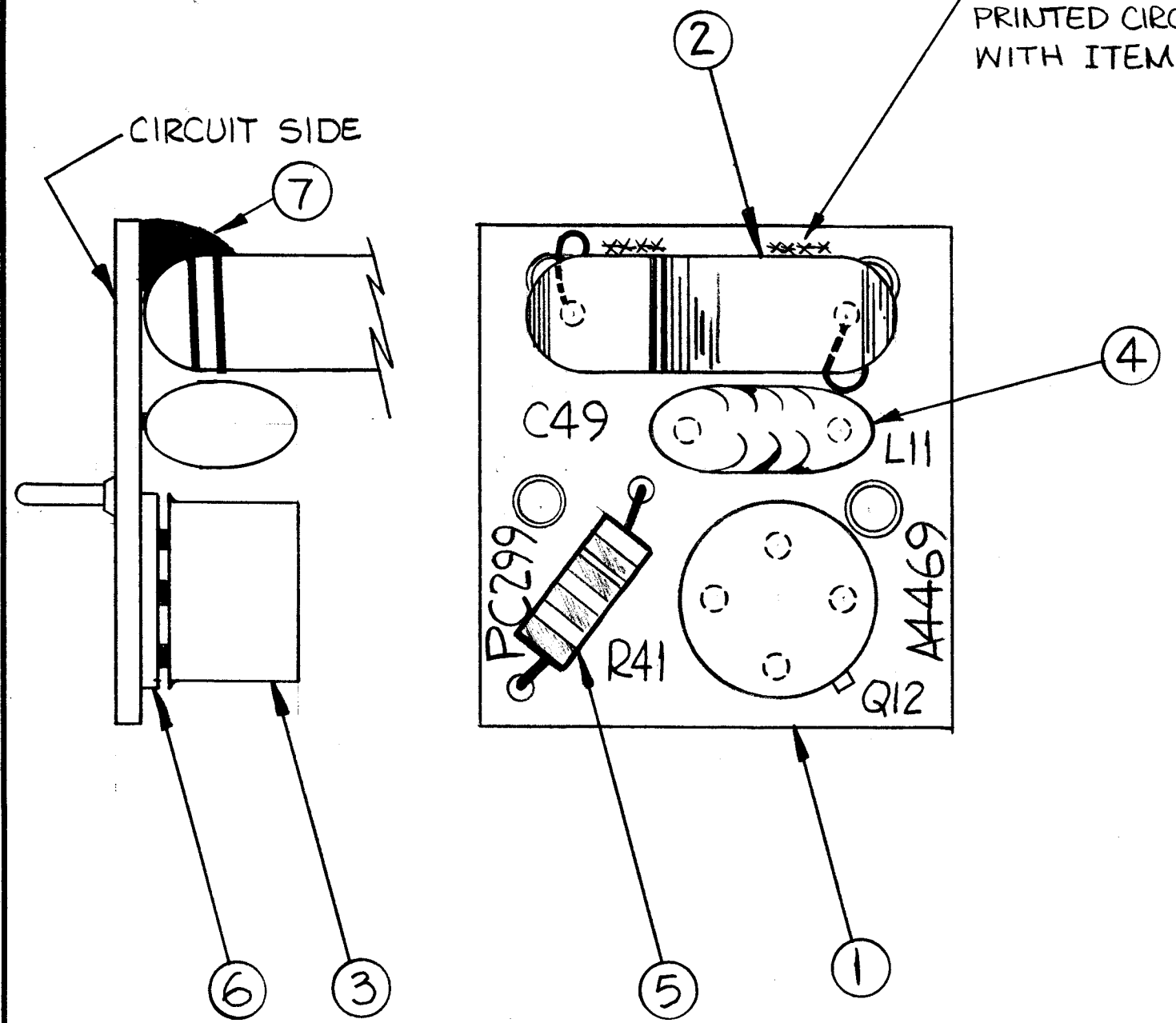


B  
A4469

REVISIONS

SYM	DESCRIPTION	DATE	E.M.N. NO.	DRAFT	CHKD	APPD
X	EXPERIMENTAL RELEASE	6/24/66	Ø			
Ø	ORIGINAL RELEASE FOR PRODUCTION	9/27/66	Ø			
A	SYMBOLS ADDED, ITEM (8) ADDED	8/18/66	16698			
B	IT 5 ADD R41. DELE SYM IT 1. IT. 2,3,4 SYM WERE Q12, C1849, R1841	10/10/66	17196	RME		

WELD ITEM 2 TO PRINTED CIRCUIT BD. WITH ITEM 7.



NOTES:

1. TO MOUNT COMPONENTS INSERT LEAD THRU-HOLES.
2. APPLY HEAT AND SOLDER TO LEAD & FOIL. CAUTION: TOO MUCH HEAT WILL CAUSE THE FOIL TO SEPARATE FROM THE BOARD.
3. CLEAN AND INSPECT PER S676.
4. FUNGUS PROOFING PER TMC SPEC S113.

REQ'D.	ITEM	PART NUMBER	DESCRIPTION	SYMBOL
X	8	BS100	SOLDER, SOFT	
X	7	GL125	EPOXY, ADHESIVE SEALANT	
1	6	PX829-3	PAD, MTG. TRAN.	
1	5	RC07GF473J	RESISTOR, FIXED COMP.	R41
1	4	CM111C100J5S	CAPACITOR, FIXED; MICA DIELECTRIC	C49
1	3	2N2084	TRANSISTOR	Q12
1	2	CL400	COIL, FREQ. INTERMEDIATE	L11
1	1	PC299	PRINTED CIRCUIT BOARD	

LIST OF MATERIAL

MATERIAL	THE TECHNICAL MATERIEL CORP. MAMARONECK, NEW YORK		
FINISH	TITLE ASS'Y, PRINTED BOARD, I.F.		
UNLESS OTHERWISE SPECIFIED DIMENSIONS ARE IN INCHES AND INCLUDE CHEMICALLY APPLIED OR PLATED FINISHES	DRAWN E. W. 220	DATE 6-24-66	FINAL APPROVAL [Signature]
DECIMALS .X ± .05 .XX ± .01 .XXX ± .005	TOLERANCES	FRACTIONS ± 1/64 ANGLES ± 0° 30'	DATE 6-24-66 A4469 B
THE CONTENTS OF THIS DRAWING ARE THE EXCLUSIVE PROPERTY OF THE TECHNICAL MATERIEL CORP. ITS UNAUTHORIZED USE OR REPRODUCTION IN WHOLE OR IN PART IS STRICTLY FORBIDDEN.		DATE 6-24-66	REV. LTR.

STR1,2,SMR,TTR10		
Q'TY./UNIT	MODEL USED ON	ASS'Y. NO.
SCALE 4:1	CODE	

NOTES