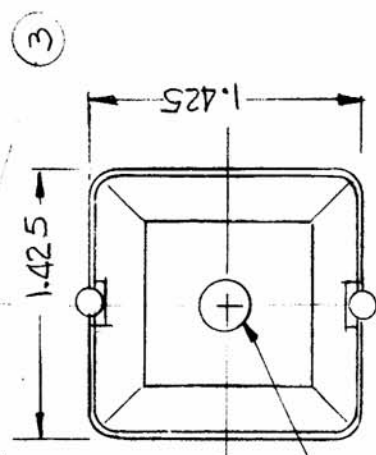
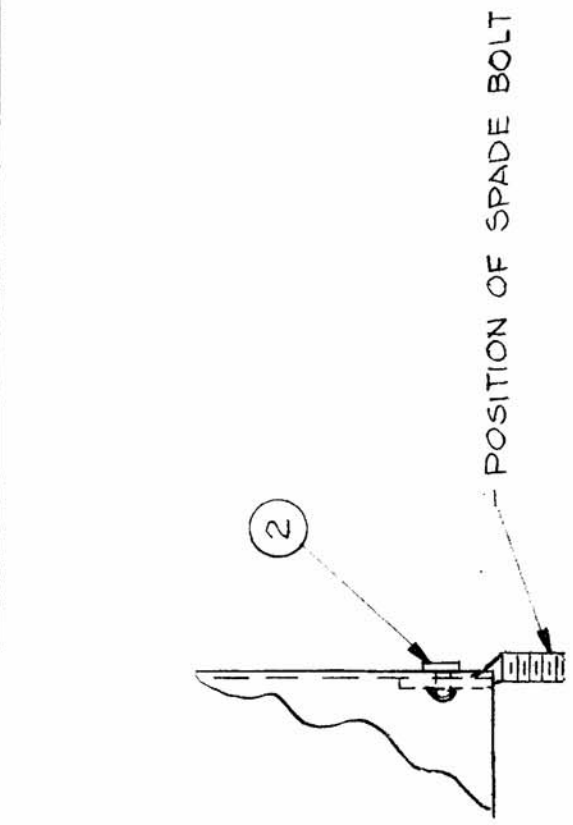


REQ. PER UNIT: 3
 MODEL: FFR-3
 ASSY. NO.:
 DATE: 3-11-66
 USED ON: A4427



REQ. ITEM	PART NO.	DESCRIPTION	SYMBOL
2	3 SC107-1	SPADE BOLT	
2	2 EY100-1	EYELET	
1	1 FP108-1	CAN (MODIFIED AS SHOWN)	
		POSE	
		THE TECHNICAL MATERIEL CORP. MAMARONECK. NEW YORK	
		I, F. CAN ASSEMBLY	
		G.D.L. 3-11-66	
		DRAWN	CHECKED
		HEAT TREAT. SPEC.	FINAL APPROVAL
		MATERIAL	
		FINISH & SPEC. NO.	A4427
		ELEC. DES. APP.	MECH. DES. APP.

SYM	DESCRIPTION	DATE	CH. NO.	DRAFTS	CHECKER	ENG. APP.
Ø	ORIG RELEASE FOR PROB	2/2/67	Ø	CV		
	UNLESS OTHERWISE SPECIFIED DIMENSIONS ARE IN INCHES AND INCLUDE CHEMICALLY APPLIED OR PLATED FINISHES	SCALE	1:1			
	DECIMALS					
	.X ± .05					
	.XX ± .01					
	.XXX ± .005					
	FRACTIONS					
	± 1/64					
	ANGLES					
	± 0° 30'					