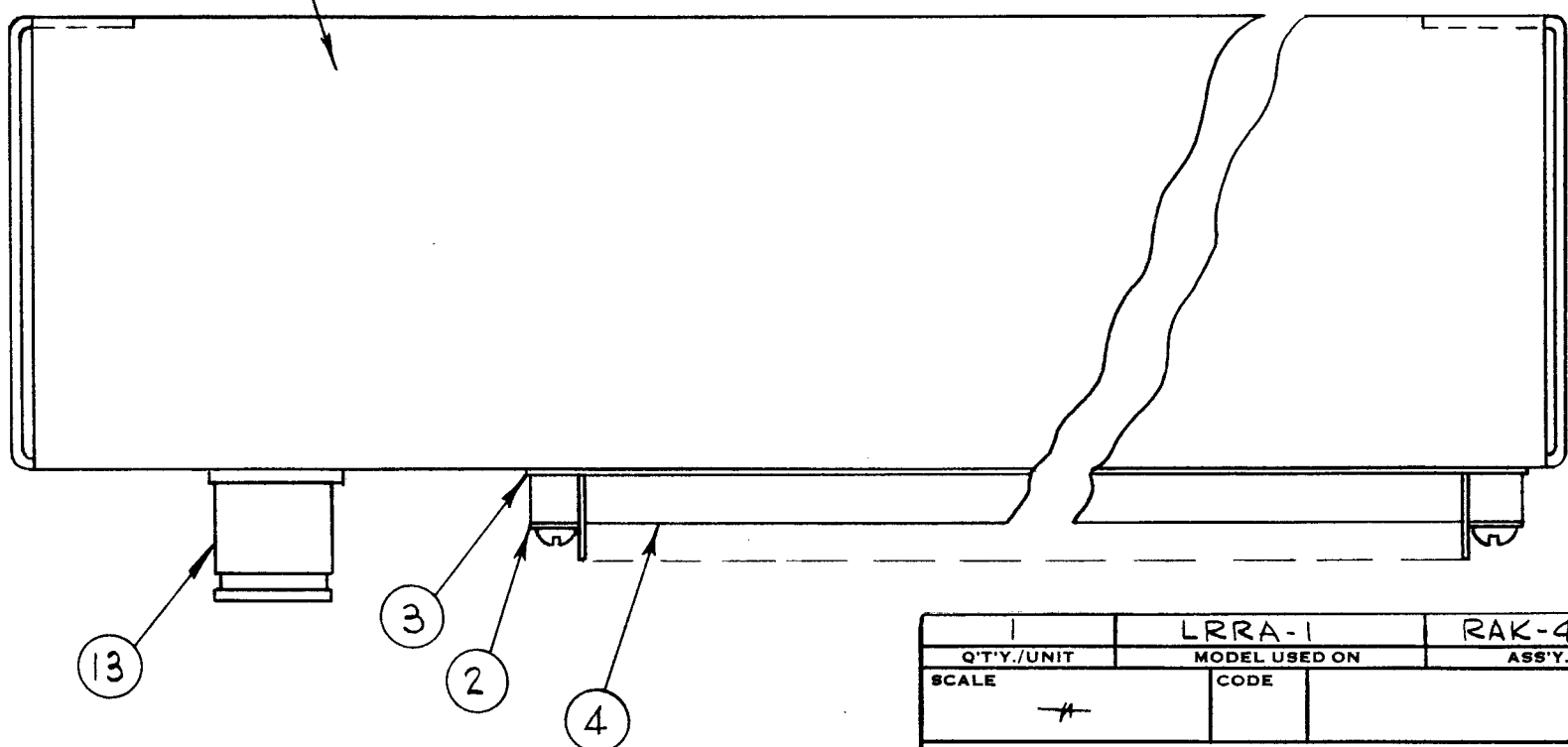
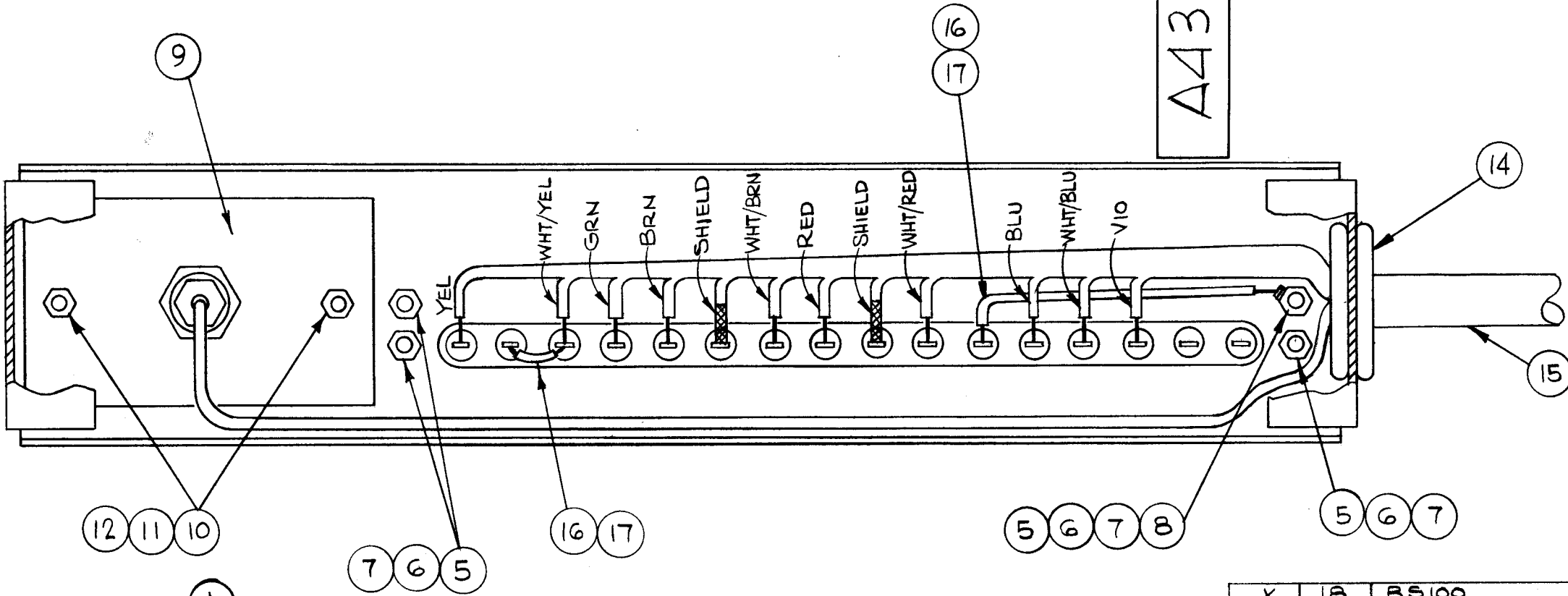


A4308

REVISIONS

SYM	DESCRIPTION	DATE	E.M.N. NO.	DRAFT	CHKD	APPD
8	ORIGINAL RELEASE FOR PRODUCTION	8-4-65	Ø	RVV		



QTY	ITEM	PART NUMBER	DESCRIPTION	SYMBOL
X	18	BS100	SOLDER, TIN ALLOY	
6	17	WL100-6	WIRE, ELEC, BUSS, 5220	
6	16	PX104-1-034	INSULATION, SLEEVING -SZ 20 BLACK	
1	15	CA931	WIRING HARNESS BRANCHED	
1	14	EY102-14	GROMMET, RUBBER, 3/4 D.	
1	13	JJ213	ADAPTER, CONNECTOR, RF BNC/QDS	
2	12	NTH032BNS	NUT, PLAIN, HEX	
2	11	LWE04MRN	WASHER, LOCK, EXTERNAL	
2	10	SCBP0632BNS	SCREW, MACHINE	
1	9	PX667	INSULATION, ADAPTER	
1	8	TE149-120	TERMINAL LUG -NO.4	
4	7	NTH0440BNS	NUT, PLAIN, HEX.	
4	6	LWE04MRN	WASHER, LOCK, EXTERNAL	
4	5	SCBP0440BNS	SCREW, MACHINE	
2	4	MS154-1	PLATE, MTG. TERMINAL BOARD	
1	3	PX337-16	INSULATION, TERMINAL BOARD	
1	2	TM100-16	TERMINAL BOARD-BARRIER	
1	1	MS4686/LDI970	CHASSIS, OUTPUT	

REQ'D.	ITEM	PART NUMBER	DESCRIPTION	SYMBOL
POSE LIST OF MATERIAL				
MATERIAL			THE TECHNICAL MATERIEL CORP. MAMARONECK, NEW YORK	
FINISH				
TITLE			OUTPUT CHASSIS ASS'Y.	
UNLESS OTHERWISE SPECIFIED DIMENSIONS ARE IN INCHES AND INCLUDE CHEMICALLY APPLIED OR PLATED FINISHES			DRAWN H. AUSTIN	DATE 7-30-65
			CHECKED <i>[Signature]</i>	DATE 8-3-65
			ELECT. DES.	DATE
			MECH. DES.	DATE
DECIMALS .X ± .05 .XX ± .01 .XXX ± .005			A4308	
			SHEET	
FRACTIONS ± 1/64 ANGLES ± 0° 30'			REV. LTR.	

Q'TY./UNIT	MODEL USED ON	ASS'Y. NO.
SCALE	LRRA-1	RAK-44
#	CODE	

NOTES

THE CONTENTS OF THIS DRAWING ARE THE EXCLUSIVE PROPERTY OF THE TECHNICAL MATERIEL CORP. ITS UNAUTHORIZED USE OR REPRODUCTION IN WHOLE OR IN PART IS STRICTLY FORBIDDEN.