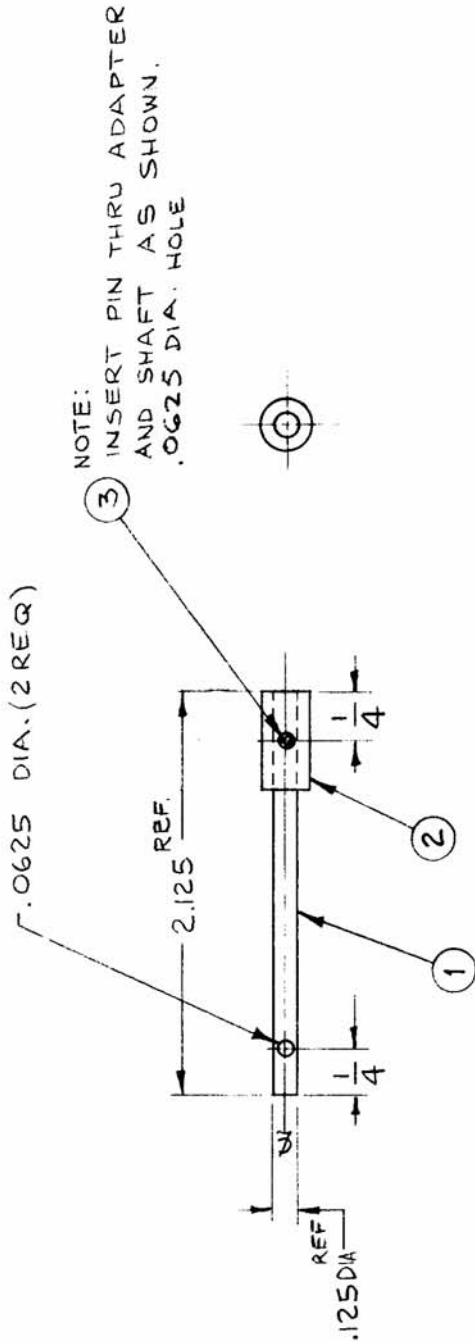


REQ. PER UNIT	1	MODEL	RFTA-1	ASSY. NO.	A 4255	DATE	5.3.65
USED ON				A 4300			



REQ. ITEM	1 3	PN 99-062-4	PIN, SPRING	SYMBOL	
	1 2	TE 117-75	SPACER		
	1 1	PM 4-60-2.125-SS	SHAFT .125 DIA		
PART NO.		THE TECHNICAL MATERIEL CORP. MAMARONECK. NEW YORK			
STOCK SIZE		ADAPTER, POT, ASSEMBLY			
MATERIAL		JCS			
TYPE & TEMPER		DRAWN			
HEAT TREAT. SPEC.		CHECKED			
FINISH & SPEC. NO.		MECH. DES. APP.			
		A 4300			

ORIGINAL RELEASE FOR PRODUCTION	3-3-66	Jc	Jc	CHKR	ENG. APP.
ITEM 2 WAS PM 117-75 (ERROR)	10/25/65	Jc	Jc		
PM 117 WAS PM 1259	9-14-65	X1	JCS		
DESCRIPTION	DATE	CH. NO.	DRAFTS	CHECKER	ENG. APP.
UNLESS OTHERWISE SPECIFIED DIMENSIONS ARE IN INCHES AND INCLUDE CHEMICALLY APPLIED OR PLATED FINISHES	SCALE	1:1			
TOLERANCES	CODE	A			
FRACTIONS ± 1/64 ANGLES ± 0° 30'					
DECIMALS .X ± .05 .XX ± .01 .XXX ± .005					