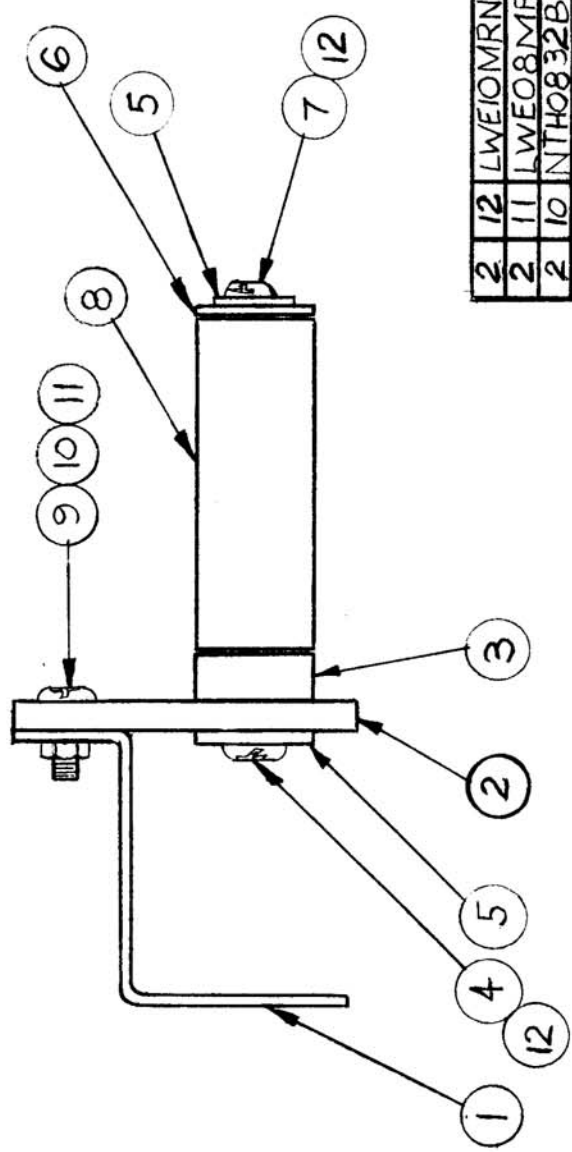


REQ. PER UNIT	MODEL	USED ON	DATE
	GPT200K	ASS'Y. NO.	6-10-65
TMC PART NO.		A4289	
A4289-1		MS2274	
A4289-2		MS4616	

TMC PART NO.	ITEM	USED ON
A4289-1	1	GPT40K AX212
A4289-2		GPT200K AX398



REQ. ITEM	PART NO.	DESCRIPTION	SYMBOL
2	12	LWEIOMRN	WASH., LK, EXT
2	11	LWEO8MRN	WASH., LK, EXT
2	10	NTHO832BN10	NUT, PLN, HEX
2	9	SCBP0832BN8	SCR, MACH
1	8	RAI08-252-25	RESISTOR
1	7	SCBP1032BN18	SCR, MACH
1	6	WAI09-54	WASH., NM
2	5	FWIOHBN	WASH., FLAT
1	4	SCBP1032BN8	SCR, MACH
1	3	PX931	STANDOFF, RESISTOR MTG
1	2	PX947	INSULATOR, POTENTIOMETER
1	1	SEE CHART	BRACKET, INSULATOR MTG

REQ. ITEM	PART NO.	DESCRIPTION	SYMBOL
		BUDETTI	
THE TECHNICAL MATERIEL CORP. MAMARONECK, NEW YORK			
ASSEMBLY, TRIGGER ADJ.			
TYPE & TEMPER	HEAT TREAT. SPEC.	DRAWN	CHECKED
		DW	JCB
MATERIAL			
FINISH & SPEC. NO.			
ELEC. DES. APP. MECH. DES. APP.			
FINAL APPROVAL			
A4289			

DATE	CH. NO.	DRAFTS	CHECKER	ENG. APP.
6-15-65	44	JC		
SCALE FULL SCALE				
DESCRIPTION				
ORIGINAL RELEASE FOR PRODUCTION				
UNLESS OTHERWISE SPECIFIED DIMENSIONS ARE IN INCHES AND INCLUDE CHEMICALLY APPLIED OR PLATED FINISHES				
TOLERANCES				
DECIMALS				
.X ± .05				
.XX ± .01				
.XXX ± .001				
FRACTIONS				
± 1/64				
ANGLES				
± 0° 30'				