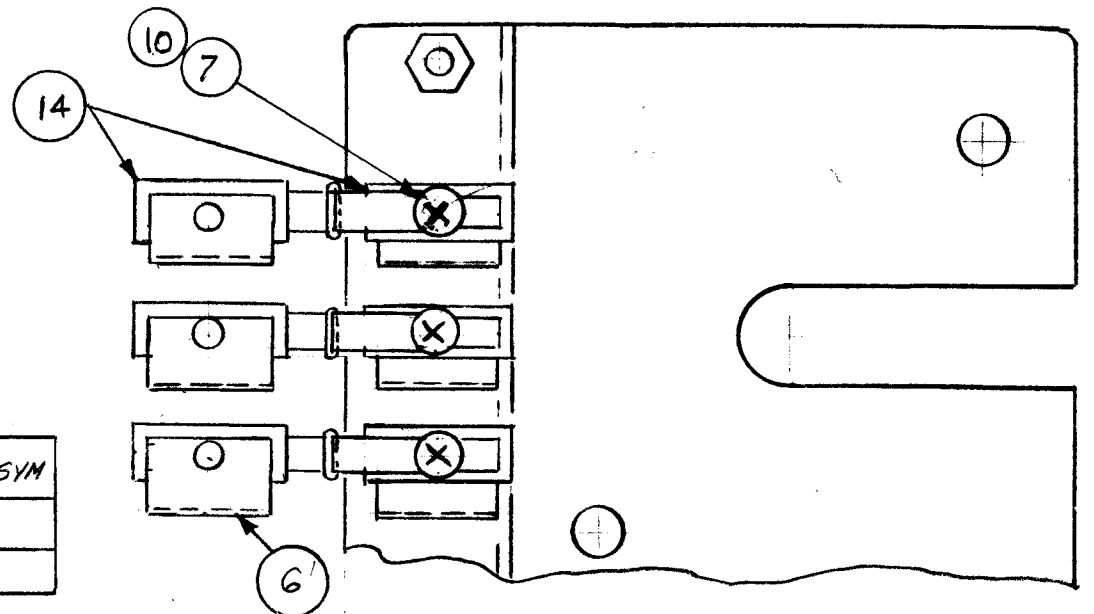


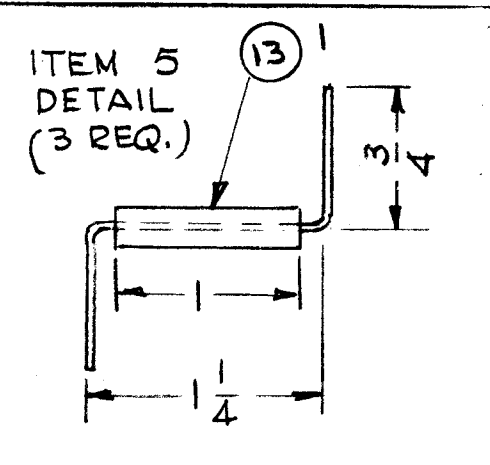
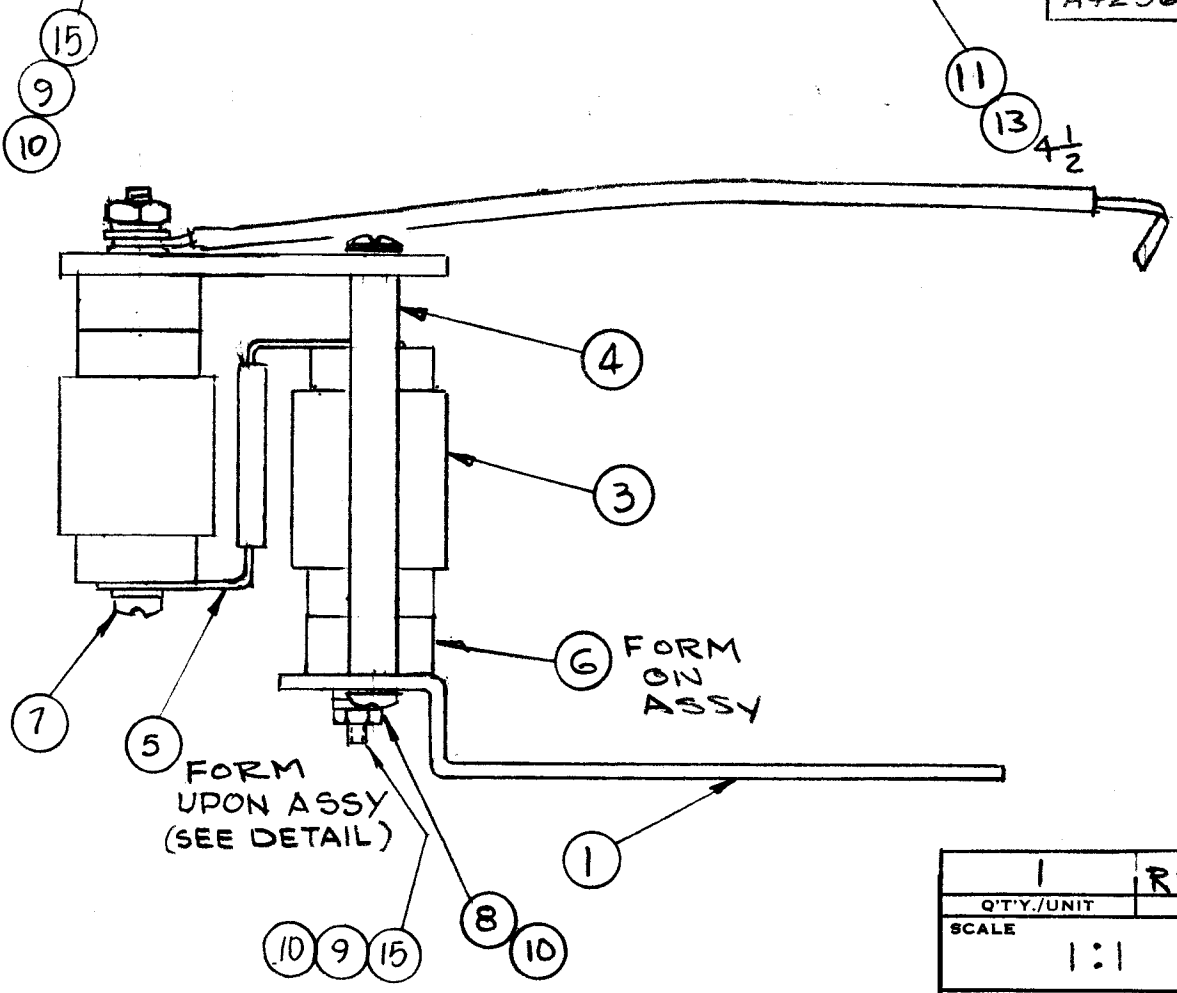
A4256 C

REVISIONS						
SYM	DESCRIPTION	DATE	E.M.N. NO.	DRAFT	CHKD	APPD
Ø	ORIGINAL RELEASE FOR PRODUCTION	5-21-65		CJV		
A	IT. 3. WAS CCI13-2-102J	6/23/65	14363	D.V.V.		
B	IT 2. WAS PX945. IT 14 ADDED. IT 3 QTY WAS 6	9/15/65	14797	D.V.V.		
C	ITEM 13 ADDED, IT. 8 WAS 7 REQ.	6-17-66	16406	AKB	ACB	BOB

- SHOWN W/ ITEM 2 REMOVED FOR CLARITY -



TMC PART NUMBER	ITEM 2	ITEM 3 SYM	ITEM 14 SYM
A4256	PX945-2	C296,7 C300,1	C298 C299
A4256-2	PX945-3	C291,2 C295,6	C293 C294



6	15	NTH0632BN8	NUT, PLAIN HEX	
2	14	CC113-1-1Ø2J	CAP., FXD, CER	SEE CHART
13 1/2	13	PX 370-4-7	INSULATION, SLEEVING, TEFLON	
1	12	MS 203-9-2.75	LEAD, ELEC	
2	11	MS 203-9-6.00	LEAD, ELEC	
22	10	LWS 06 MRN	LOCK WASHER, SPRING	
8	9	FW 06 HBN	WASHER, FLAT	
4	8	SCBP0632 BN 7	SCREW, MACHINE	
12	7	SCBP 0632 BN 3	SCREW, MACHINE	
6	6	MS 4592	STRAP, CAPACITOR	
3	5	MS 203-6-2.75	LEAD, ELEC. (1/4 WIDE)	
2	4	TE0632AE-18H	SPACER, THREADED	
4	3	CC113-2-202J	CAPACITOR, FIXED, CERAMIC	SEE CHART
1	2	SEE CHART	BOARD, MTC. CAPACITOR (LETTER)	
1	1	MS 4593	BRACKET, MTC. CAPACITOR	

LIST OF MATERIAL

MATERIAL	THE TECHNICAL MATERIEL CORP. MAMARONECK, NEW YORK			
FINISH	TITLE KIT-187 ASSY			
UNLESS OTHERWISE SPECIFIED DIMENSIONS ARE IN INCHES AND INCLUDE CHEMICALLY APPLIED OR PLATED FINISHES	DRAWN	DATE	FINAL APPROVAL	
	G.D.L.	5-19-65	[Signature]	
DECIMALS .X ± .05 .XX ± .01 .XXX ± .005	CHECKED	DATE	DATE	
	[Signature]	5/19/65	5/25/65	
FRACTIONS ± 1/64 ANGLES ± 0° 30'	ELECT. DES.	DATE	SHEET	
	[Signature]		A4256 C	
TOLERANCES	MECH. DES.	DATE	REV. LTR.	

NOTES

1	RFC-1B (KIT 187)	ASS'Y. NO.
Q'TY./UNIT	MODEL USED ON	
SCALE 1:1	CODE A	
THE CONTENTS OF THIS DRAWING ARE THE EXCLUSIVE PROPERTY OF THE TECHNICAL MATERIEL CORP. ITS UNAUTHORIZED USE OR REPRODUCTION IN WHOLE OR IN PART IS STRICTLY FORBIDDEN.		