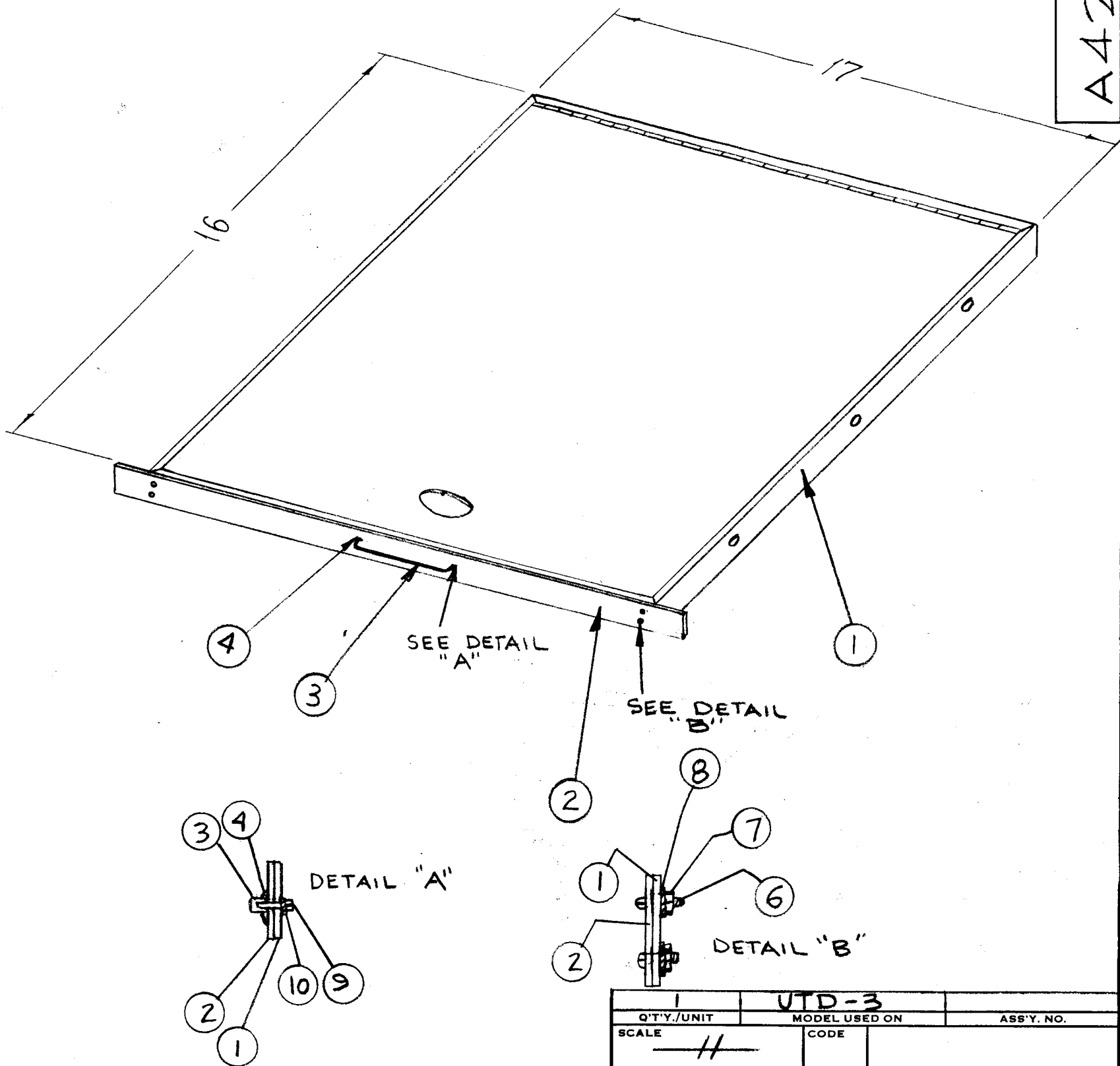


A4209



REVISIONS					
SYM	DESCRIPTION	DATE	E.M.N. NO.	DRAFT	CHKD APPD
X	EXPERIMENTAL RELEASE	3-11-65	—	JM.	
XI	ITEM #5, EY102-22 DELETED, ITEM 10 WAS LWE, ITEM 9, BNS	3-16-65	—	JR	
Ø	ORIGINAL RELEASE FOR PRODUCTION	9/24/69		W	

REQ'D.	ITEM	PART NUMBER	DESCRIPTION	SYMBOL
2	10	LWSIOMRN	WASHER, LOCK, SPLIT	
2	9	SCHH1032BN8	BOLT, MACHINE	
4	8	LWE06MRN	WASHER, LOCK, EXTERNAL	
4	7	NTH0632BN8	NUT, PLAIN, HEX	
4	6	SCBP0632BN6	SCREW, MACHINE	
M	5	M	M	
2	4	CU139-2B	FERRULE, HANDLE	
1	3	HA102-16BN	HANDLE, BOW	
1	2	MS4435	PANEL, FRONT	
1	1	MS4259-1	DRAWER, ACCESSORY	

LIST OF MATERIAL				
MATERIAL	THE TECHNICAL MATERIEL CORP. MAMARONECK, NEW YORK			
FINISH	TITLE FINAL ASS'Y UTD-3			
UNLESS OTHERWISE SPECIFIED DIMENSIONS ARE IN INCHES AND INCLUDE CHEMICALLY APPLIED OR PLATED FINISHES	DRAWN	DATE	FINAL APPROVAL	
	T. MEEHAN	3-11-65	JM	
DECIMALS .X ± .05 .XX ± .01 .XXX ± .005	CHECKED	DATE	DATE	
	SG	3/16/65	9/24/69	
FRACTIONS ± 1/64 ANGLES ± 0° 30'	ELECT. DES.	DATE	A 4209	
			Ø	
TOLERANCES	MECH. DES.	DATE	SHEET	
		9-23-69	REV. LTR.	

Q'TY./UNIT	MODEL USED ON	ASS'Y. NO.
1	UTD-3	
SCALE	CODE	
1/1		

NOTES

THE CONTENTS OF THIS DRAWING ARE THE EXCLUSIVE PROPERTY OF THE TECHNICAL MATERIEL CORP. ITS UNAUTHORIZED USE OR REPRODUCTION IN WHOLE OR IN PART IS STRICTLY FORBIDDEN.