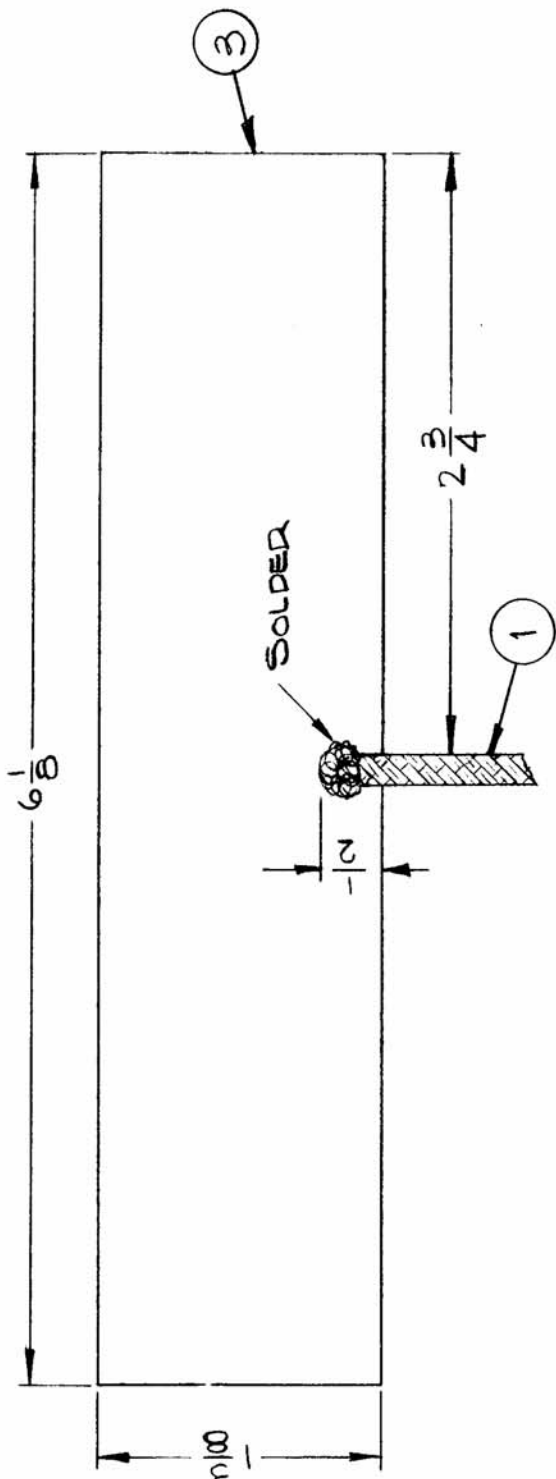


REQ. PER UNIT	1	MODEL	TR185	USED ON ASSY. NO.	A4192	DATE	3-30-65
A4192 A							



1	3	MS1205-6.125	PERFORATED METAL STRIP	SYMBOL	
X	2	BS 100	SOLDER, SOFT		
4"	1	WL-103-2	BRAID, WIRE, FLAT		
REQ. ITEM		PART NO.		DESCRIPTION	
			THE TECHNICAL MATERIEL CORP. MAMARONECK, NEW YORK		
			SHIELD ASSY.		
			TR185		
			H. AUSTIN <i>[Signature]</i> 4/19/65		
			DRAWN		
			CHECKED		
			FINAL APPROVAL		
			A4192 A		
			ELEC. DES. APP. MECH. DES. APP.		

SYM	A	DESCRIPTION	DATE	CH. NO.	DRAFTS	CHECKER	ENG. APP.
		UNLESS OTHERWISE SPECIFIED DIMENSIONS ARE IN INCHES AND INCLUDE CHEMICALLY APPLIED OR PLATED FINISHES	3/8/66	15873	HA	JB	<i>[Signature]</i>
		TOLERANCES	SCALE				
		DECIMALS					
		.X ± .05					
		.XX ± .01					
		.XXX ± .005					
		FRACTIONS					
		± 1/64					
		ANGLES					
		± 0° 30'					
		ORIGINAL RELEASE FOR PRODUCTION	4/19/65				