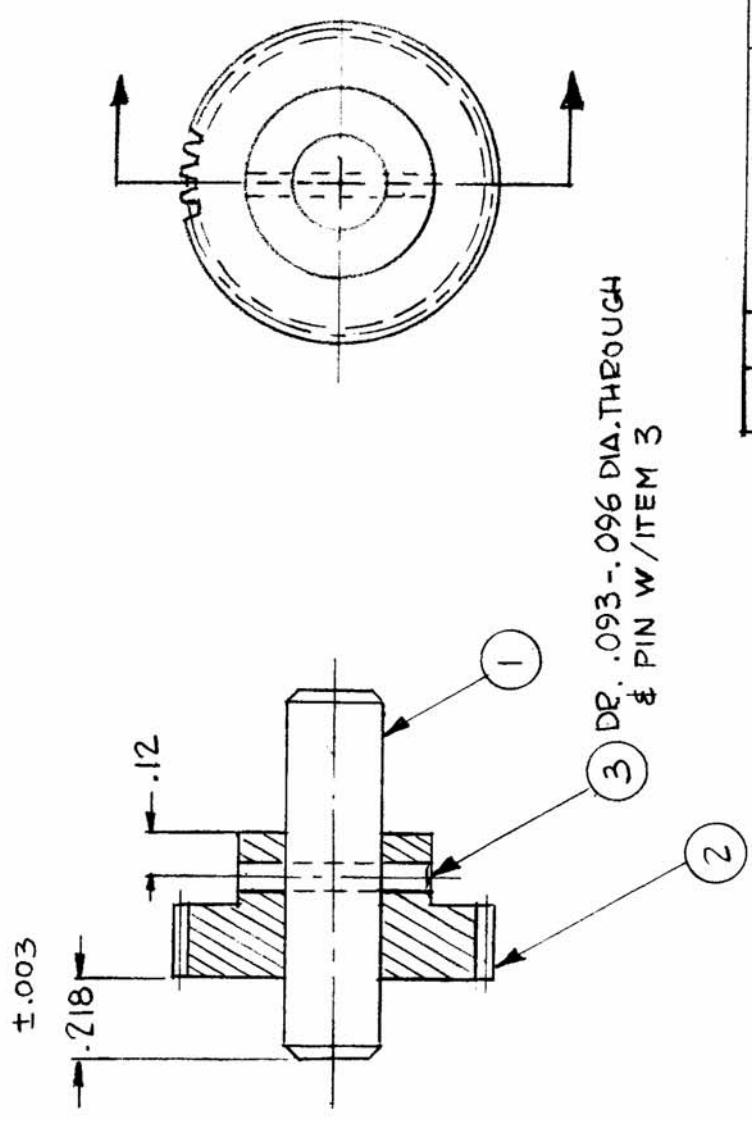


REQ. PER UNIT: 1
 MODEL: CHGR-3
 ASS'Y. NO.: A4168
 USED ON: A4173
 DATE: 1-27-65



1	3	PN 114-4	PIN, GROOVED, HDLS	
1	2	GR 205-16	GEAR, SPUR, HUB	
1	1	PM1051RF.968	SHAFT STR 1/4D	
REQ. ITEM		PART NO.	J. ANGER	DESCRIPTION
			THE TECHNICAL MATERIEL CORP. MAMARONECK. NEW YORK	
		STOCK SIZE	GEAR, ASSY	
		MATERIAL		
		TYPE & TEMPER	G.D.L	4/8/65
		HEAT TREAT. SPEC.	4/8/65	Anger
		FINISH & SPEC. NO.	ELEC. DES. APP. MECH. DES. APP.	

Ø	ORIGINAL RELEASE FOR PRODUCTION	4/8/65	N/A		
X1	MODEL WAS CHG-3; ADDED A4168 ASSY NO.	4/8/65	JL	MM	
SYM	DESCRIPTION	DATE	CH. NO.	DRAFTS	CHECKER
UNLESS OTHERWISE SPECIFIED DIMENSIONS ARE IN INCHES AND INCLUDE CHEMICALLY APPLIED OR PLATED FINISHES		SCALE	2:1		
TOLERANCES		FRACTIONS	A		
DECIMALS		± 1/64			
XX ± .01		ANGLES	± 0° 30'		
.XXX ± .005					

APPROVAL: *[Signature]* 4/8/65
 FINAL APPROVAL

A4173 Ø