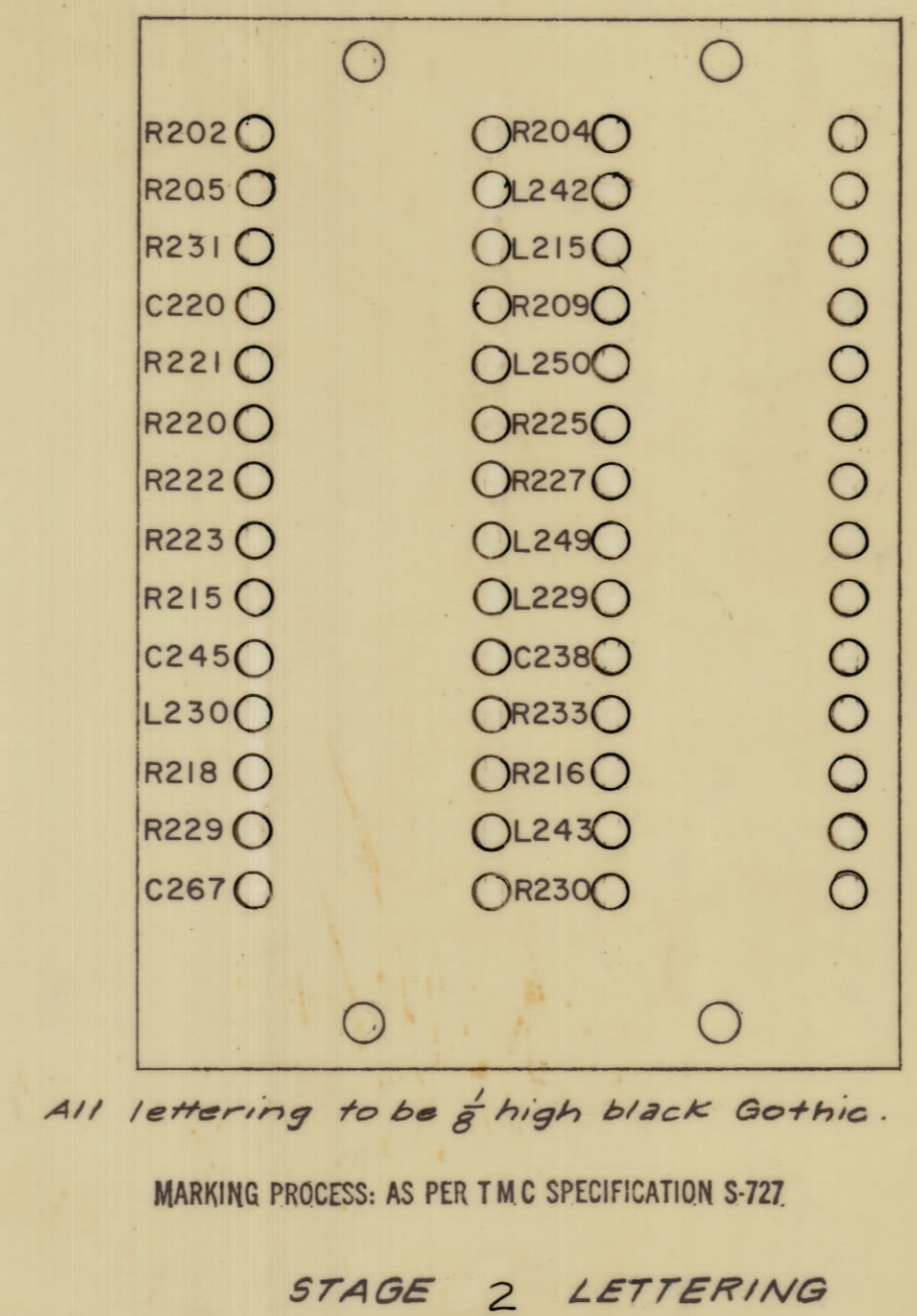
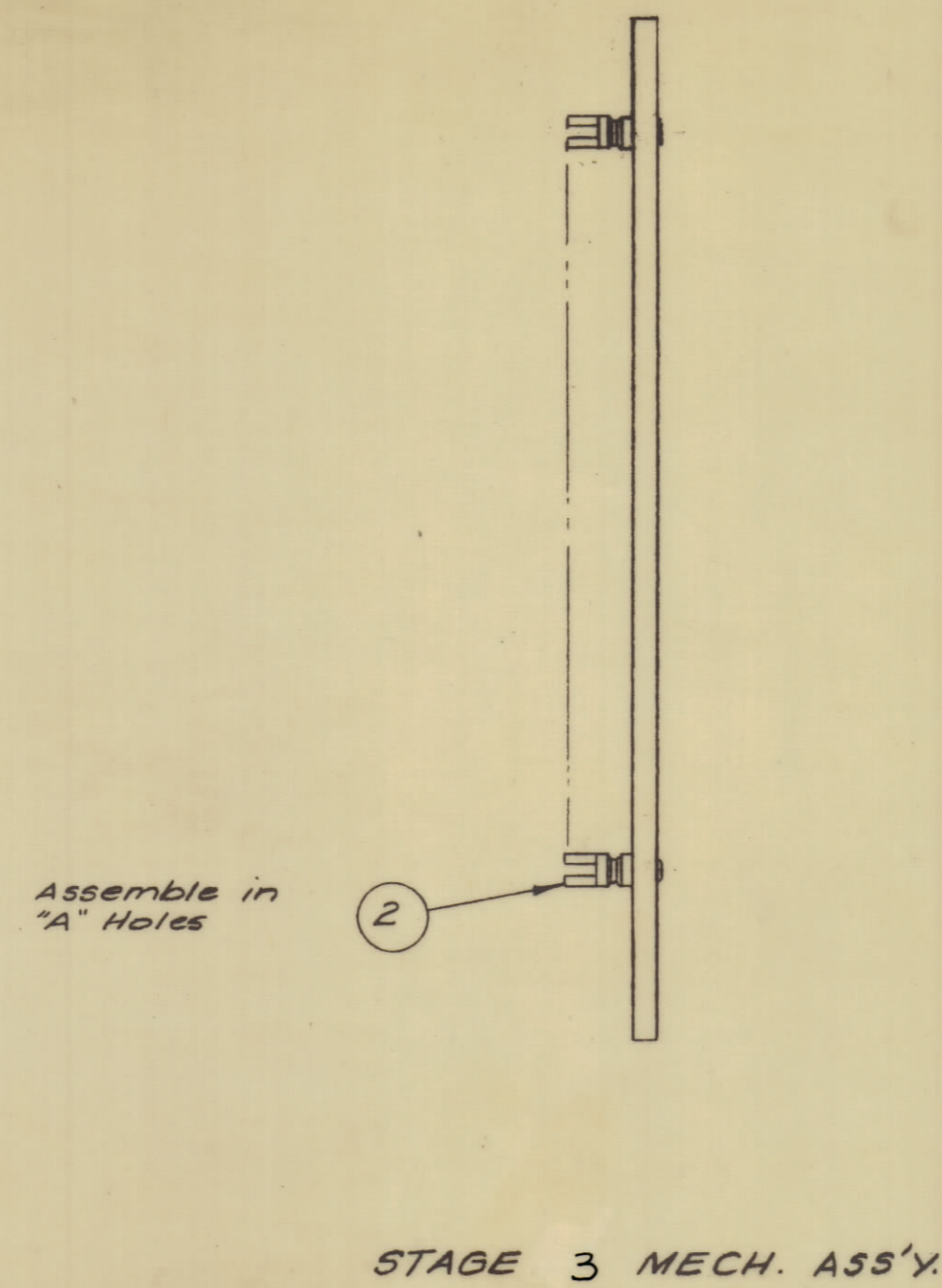
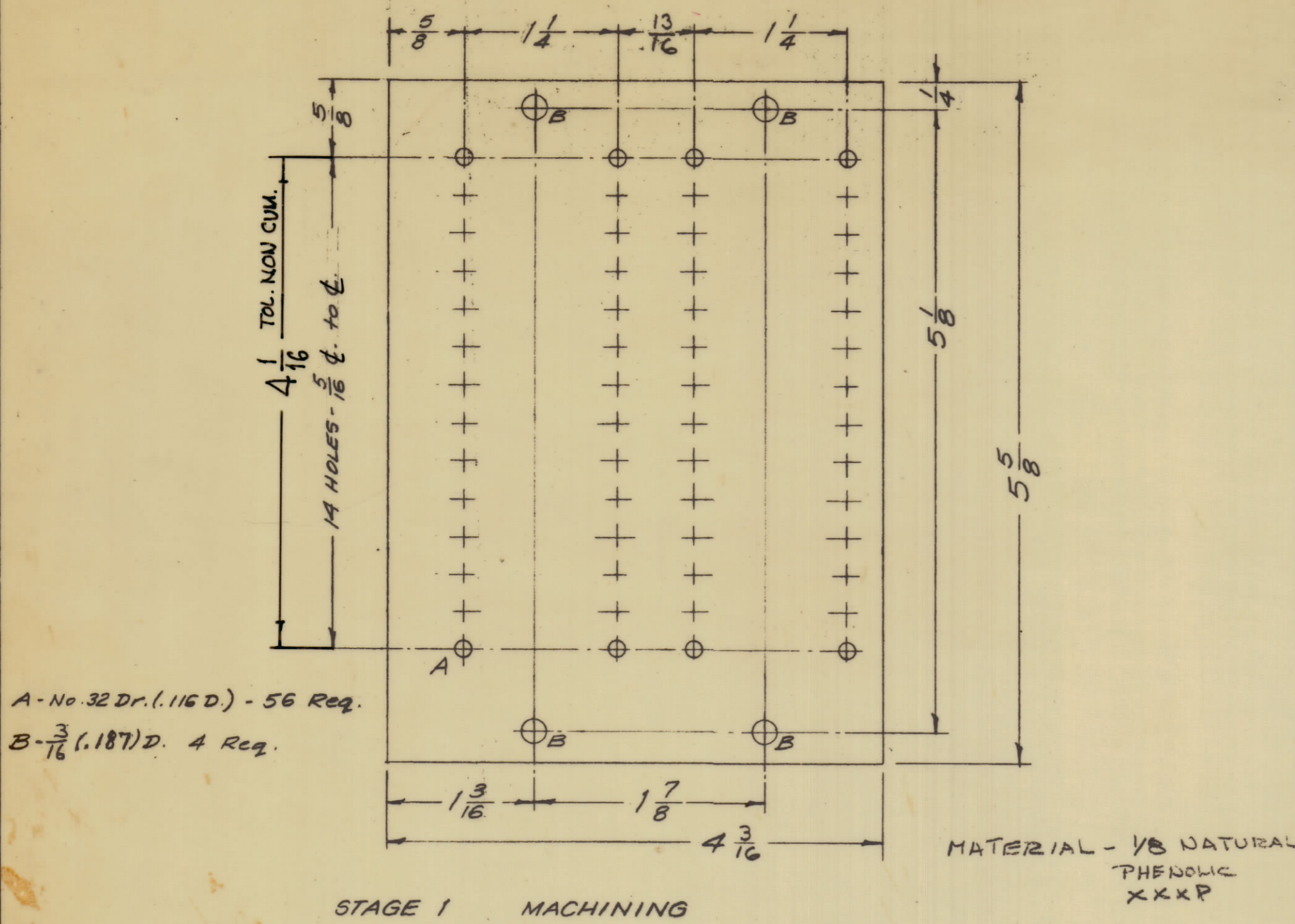
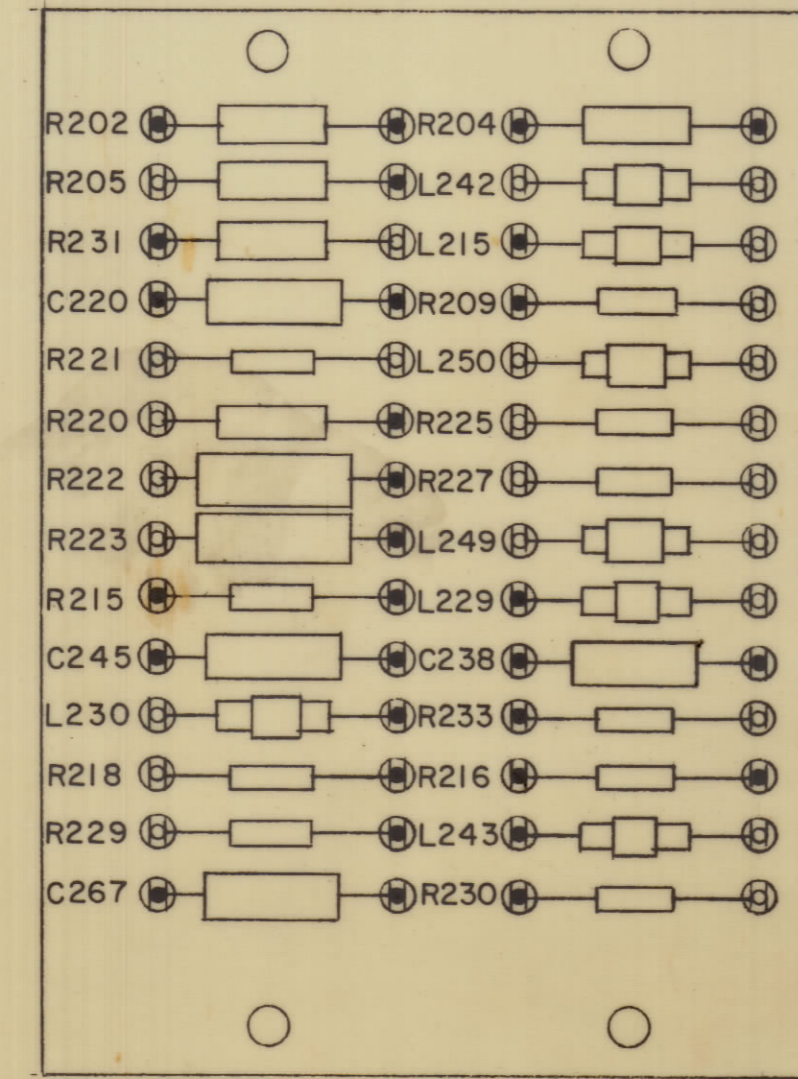


IF IT IS FOUND DESIRABLE TO CHANGE ANY TOLERANCE OR OTHER DETAIL SPECIFIED ON THIS DRAWING NOTIFY THE PURCHASER PROMPTLY.
 MAXIMUM ALLOWABLE TOLERANCES HAVE BEEN DETERMINED AND DEVIATIONS WILL BE CAUSE FOR REJECTION.
 REMOVE ALL BURRS AND SHARP EDGES

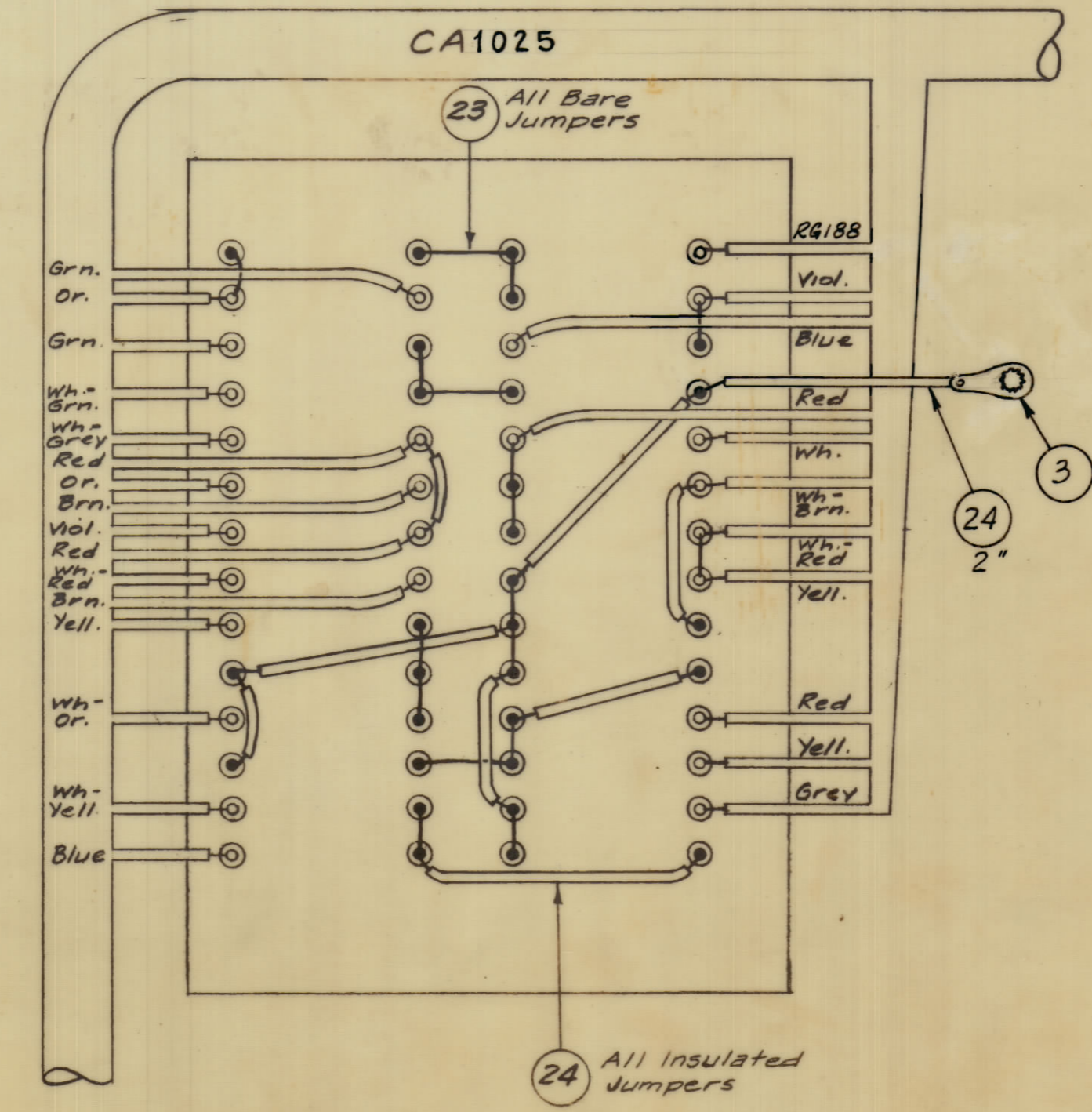


IF IT IS FOUND DESIRABLE TO CHANGE ANY TOLERANCE OR OTHER DETAIL SPECIFIED ON THIS DRAWING NOTIFY THE PURCHASER PROMPTLY. MAXIMUM ALLOWABLE TOLERANCES HAVE BEEN DETERMINED AND DEVIATIONS WILL BE CAUSE FOR REJECTION. REMOVE ALL BURRS AND SHARP EDGES					
A	STAGE 3 WAS 2 & 2 WAS 3 BUILT UP REVISED & UPDATED	9-27-65	16900	50L	
Ø	ORIGINAL RELEASE FOR PRODUCTION	9-10-65			H/A
X	EXPERIMENTAL RELEASE	9-16-65			H/A
ISSUE	ITEM	CHANGED FROM	DATE	CN. NO. DRAFTS	CHECKER
TOLERANCES		SCALE:			
ALL DEC. DIM. ±	OTHERS FRAC. DIM. ±	DRILL, PUNCH, COMMERCIAL STOCK SIZES AND MANUFACTURERS TOLERANCES ARE NOT INCLUDED.			



NOTE - Cable (CA1025) shown for Ref. Only. Solder all connections indicated by blackened terminals. All other connections (from Cable) to be soldered upon Assembly of Terminal Board into Unit.

STAGE 4 FINAL ASS'Y.



- L215
- L229
- L230
- L242
- L243
- C220
- C238
- C245
- C267

X	25	BS-100	Solder, Soft	
X	24	MWC22(1)UO	Wire, Insulated, (Size 22)	B1K.
X	23	WL-100-7	Wire, Buss (Size 22)	
1	22	RC20GF393J	Resistor, Fixed, Comp.	R233
1	21	RC32GF154J		R281
1	20	RC20GF274J		R230
1	19	RC20GF123J		R229
1	18	RC20GF394J		R227
1	17	RC20GF515J		R225
1	16	RC32GF184J		R223
1	15	RC42GF120J		R222
1	14	RC20GF106J		R221
1	13	RC32GF822J		R220
1	12	RC20GF115J		R218
1	11	RC20GF104J		R216
1	10	RC20GF156J		R215
1	9	RC20GF823J		R209
2	8	RC32GF473J		R205
1	7	RC32GF682J	Resistor, Fixed, Comp.	R202
2	6	CL-177	Coil, RF, 128 µhy	L280
5	5	CL-180	Coil, RF, 26 µhy	L229
4	4	CN108C1003J	Capacitor, Fixed, Mylar	
1	3	TE-104-3	Terminal, Locking (#8)	
56	2	TE-109-3	Lug, Terminal	

REQ. ITEM	PART NO.	DESCRIPTION	SYMBOL
THE TECHNICAL MATERIEL CORP. MAMARONECK, NEW YORK			
STOCK SIZE			
TERMINAL BOARD, ALL STAGES			
MATERIAL	WEIGHT PER PC.		
TYPE & TEMPER		HAUTON	
HEAT TREAT. SPEC.		HECKED	
FINISH & SPEC. NO.			

1	RFC-1A			2-16-65
REQ PER UNIT	MODEL	PROJECT NO.	ASSY. NO.	DATE
USED ON				

A4162

A4162 A