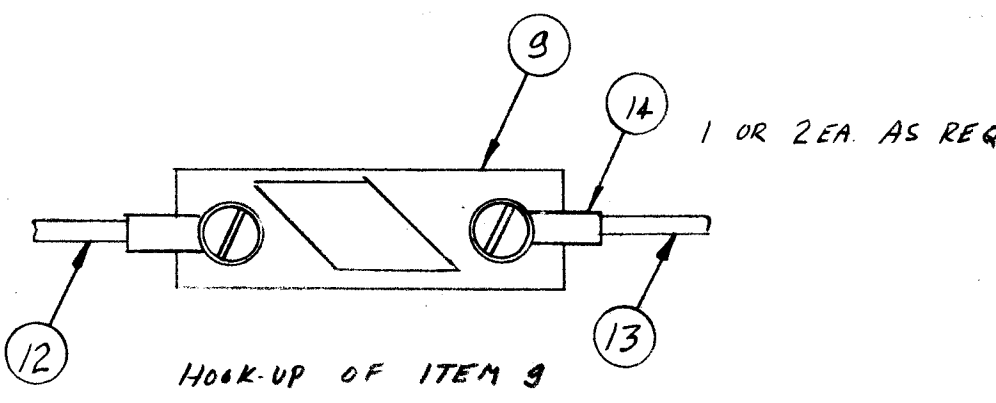


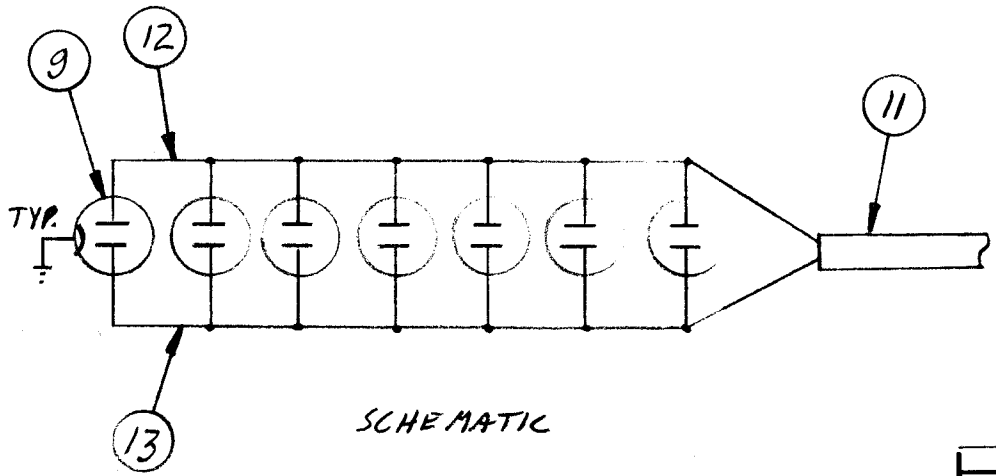
REVISIONS					
SYM	DESCRIPTION	DATE	E.M.N. NO.	DRAFT	CHKD APPD

REQ'D.	ITEM	PART NUMBER	DESCRIPTION	SYMBOL
	18			
	17			
	16			
	15			
24	14	TE159-34168	LUG, TERMINAL	
	13	MWC12(19)U 9		
	12	MWC12(19)U 0		
1	11	CA588-5	CABLE, AC POWER	
1	10	CU110	CLAMP, CABLE 90°	
7	9	JJ294	RECEPTACLE, GROUNDED	
1	8	P0163-5.000	COVER, CONNECTOR STRIP	
1	7	P0163-3.000		
1	6	P0163-2.000		
1	5	P0163-33.750		
1	4	P0163-1.000		
1	3	P0162	END FITTING, CABLE ENTRY	
1	2	P0161	END FITTING, Blank	
1	1	MS 9198	AC STRIP	

LIST OF MATERIAL				
MATERIAL		THE TECHNICAL MATERIEL CORP. MAMARONECK, NEW YORK		
FINISH		TITLE AX 542 ASSEMBLY AC POWER STRIP		
UNLESS OTHERWISE SPECIFIED DIMENSIONS ARE IN INCHES AND INCLUDE CHEMICALLY APPLIED OR PLATED FINISHES		DRAWN	DATE	FINAL APPROVAL
DECIMALS .X ± .05 .XX ± .01 .XXX ± .005		CHECKED	DATE	A40.75
TOLERANCES		ELECT. DES.	DATE	
FRACTIONS ± 1/64 ANGLES ± 0° 30'		MECH. DES.	DATE	SHEET



HOOK-UP OF ITEM 9



SCHEMATIC

**OBSOLETE
SUPERSEDED**
DIRECTLY REPLACED BY AX542

Q'TY./UNIT	MODEL USED ON	ASS'Y. NO.
SCALE	CODE	
THE CONTENTS OF THIS DRAWING ARE THE EXCLUSIVE PROPERTY OF THE TECHNICAL MATERIEL CORP. ITS UNAUTHORIZED USE OR REPRODUCTION IN WHOLE OR IN PART IS STRICTLY FORBIDDEN.		

NOTES