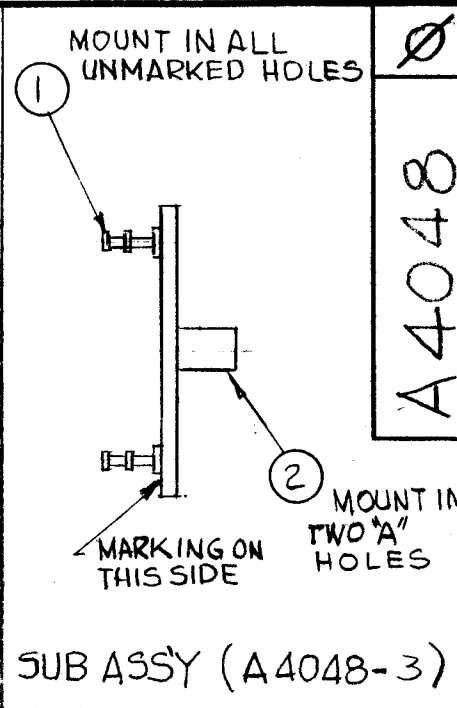


HOLES
UNMARKED 3/32 DIA 18 REQ
A - .189 DIA 2 REQ

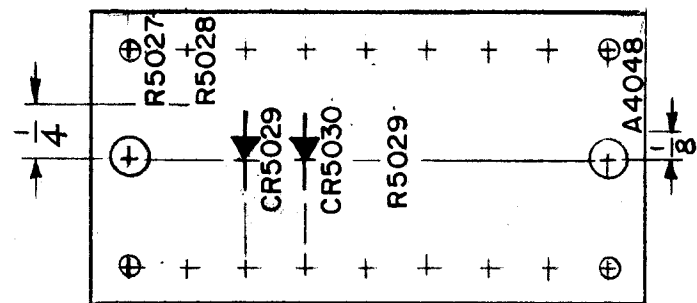
MATERIAL:
3/32 THK, GII EPOXY,
LAMINATE GREEN



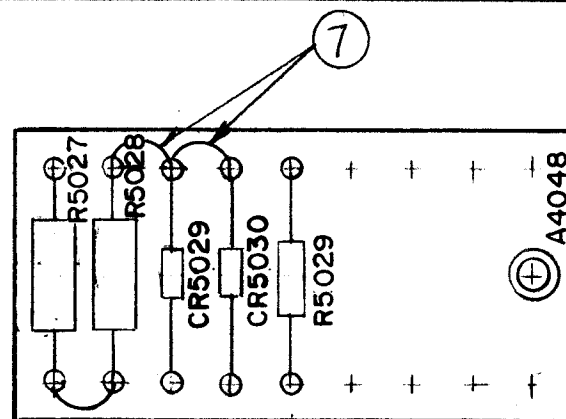
A4048

REVISIONS					
SYM	DESCRIPTION	DATE	E.M.N. NO.	DRAFT	CHKD APPD
X	EXPER. RELEASE	12-11-64		G.D.L	
X ₁	ON MARKING (4048-2) DIMS ADDED	12-30-64	X ₁	AB	JM
Q	ORIGINAL RELEASE FOR PRODUCTION	1-18-65	Q	JM	J.M

MARKING PROCESS: AS PER TMC SPECIFICATION S-727.
LETTERING: 3/32 HIGH BLACK GOTHIC, LOCATED AS SHOWN.
FUNGUS PROOFING PER TMC SPECIFICATION S-113.
MARK TMC PART NUMBER WITH LATEST REVISION LETTER.



MARKING (A4048-2)



ELECTRICAL ASSY (A4048-4)

REQ'D.	ITEM	PART NUMBER	DESCRIPTION	SYMBOL
X	7	WL100-7	WIRE, ELECTRICAL, BUSS	
X	6	BS100	SOLDER, TIN ALLOY	
1	5	RC20GF101J	RESISTOR, FIXED, COMPOSITION	R5029
2	4	RC32GF820J	RESISTOR, FIXED, COMPOSITION	R5028, 5027
2	3	1N270	DIODE	CR5030, 5029
2	2	TE108-2	NUT, PLN, CLINCH	
18	1	TE127-5	TERMINAL, STUD	

EATON LIST OF MATERIAL				
MATERIAL	THE TECHNICAL MATERIEL CORP. MAMARONECK, NEW YORK			
FINISH	TITLE TERMINAL BOARD ASSY.			
UNLESS OTHERWISE SPECIFIED DIMENSIONS ARE IN INCHES AND INCLUDE CHEMICALLY APPLIED OR PLATED FINISHES		DRAWN G.D.L	DATE 12-11-64	FINAL APPROVAL RJC
		CHECKED @	DATE 1-18-65	
		ELECT. DES. W. JORDAN	DATE 1/18/65	A4048
		MECH. DES.	DATE 1/18/65	Q
			SHEET	REV. LTR.

1	RTMU-1	A3909
Q'TY./UNIT	MODEL USED ON	ASS'Y. NO.
SCALE 1:1	CODE A	

THE CONTENTS OF THIS DRAWING ARE THE EXCLUSIVE PROPERTY OF THE TECHNICAL MATERIEL CORP. ITS UNAUTHORIZED USE OR REPRODUCTION IN WHOLE OR IN PART IS STRICTLY FORBIDDEN.

NOTES