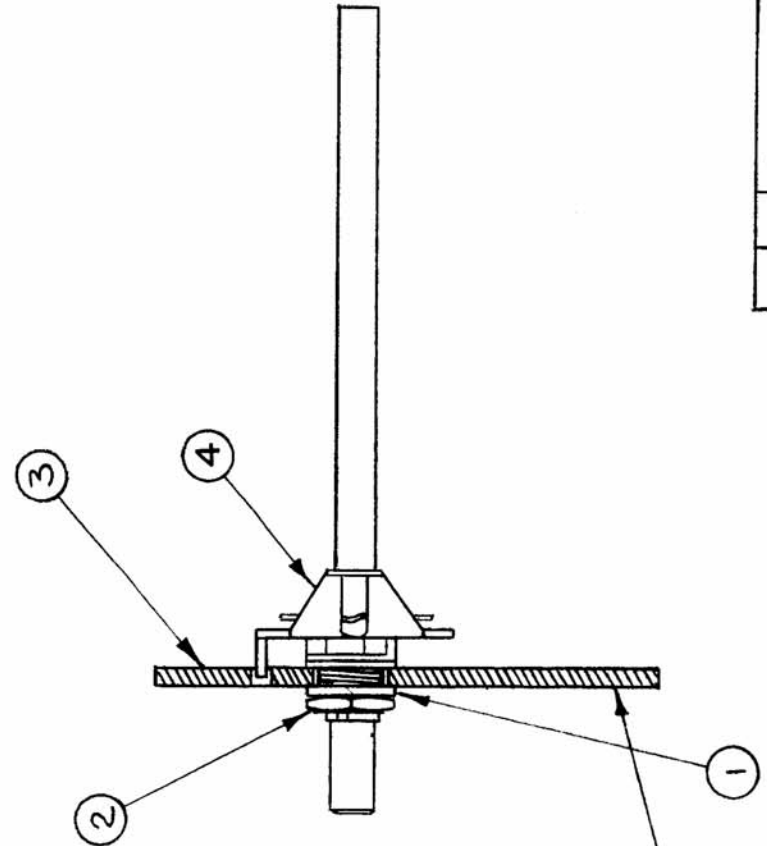


REQ. PER UNIT	USED ON		DATE
1	MODEL	ASSY. NO.	
	TTR-10	AX418	10.28.64

A4045 A



ITEMS 1 & 2 SUPPLIED WITH ITEM 4

A	3-1/2, 1/2 DIM. DELE	6.1.65	14165	✓	✓	✓	✓	✓	✓	✓	✓	✓	✓	✓
Ø	ORIGINAL RELEASE FOR PRODUCTION	12.28.64	Ø	Ø	Ø	Ø	Ø	Ø	Ø	Ø	Ø	Ø	Ø	Ø
X	EXPER. RELEASE	12.10.64	X	X	X	X	X	X	X	X	X	X	X	X
SYM	DESCRIPTION	DATE	CH. NO.	DRAFTS	CHECKER	ENG. APP.	SCALE NONE							
UNLESS OTHERWISE SPECIFIED DIMENSIONS ARE IN INCHES AND INCLUDE CHEMICALLY APPLIED OR PLATED FINISHES							CODE A							
TOLERANCES							FRACTIONS							
.X ± .05							± 1/64							
.XX ± .01							ANGLES							
.XXX ± .005							± 0° 30'							

1	4	DT10B		PART NO.		DESCRIPTION	SYMBOL
1	3	LD1644/MS4113				DETENT, SWITCH -30DEG.	
1	2	NTH3732BN16				PLATE, DETENT	
1	1	LWI37LRN				NUT, PLAIN, HEX	
						WASHER, LOCK, INTERNAL	
						0 POSE	
						THE TECHNICAL MATERIEL CORP. MAMARONECK. NEW YORK	
						DETENT ASSY, REAR	
						DRAWN	
						CHECKED	
						FINAL APPROVAL	