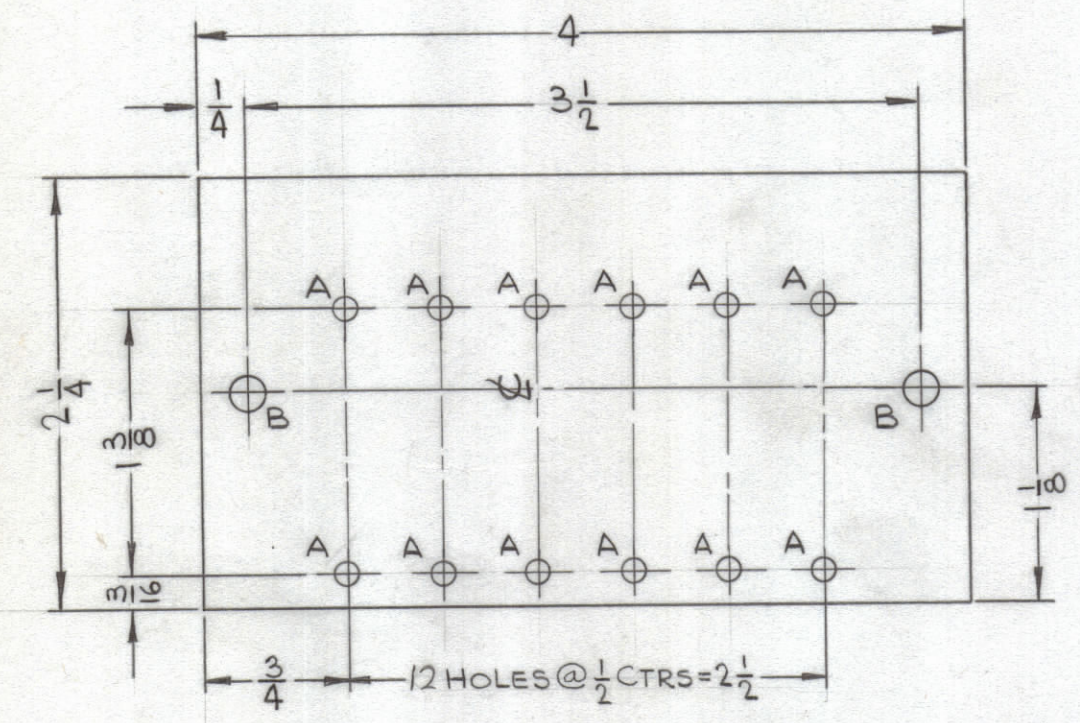
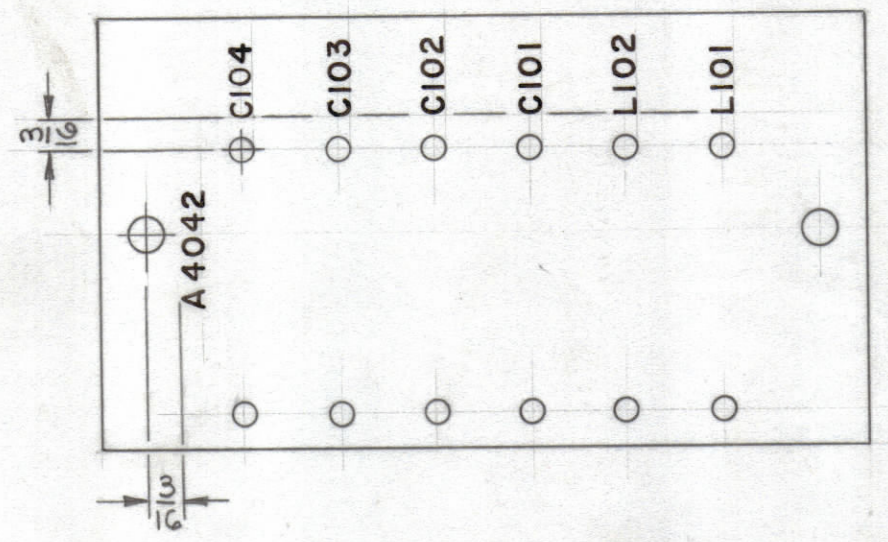


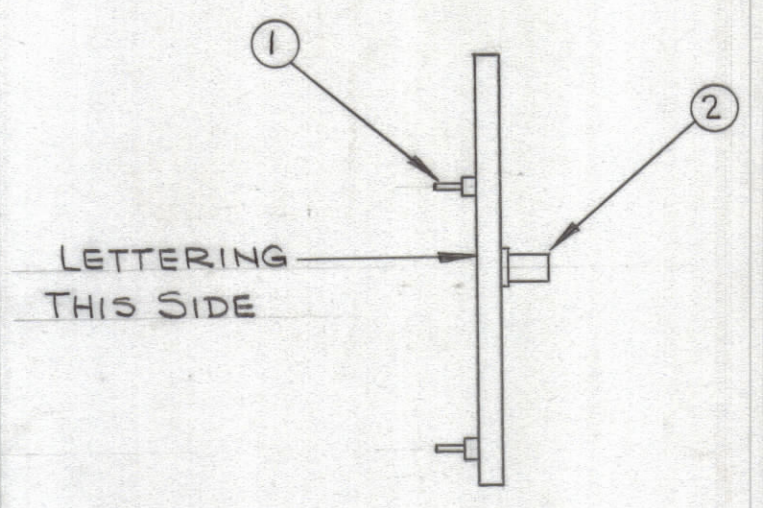
HOLE	DESCRIPTION	REQ
A	No. 32 DRILL (.116 DIA.)	12
B	No. 12 DRILL (.189 DIA.)	



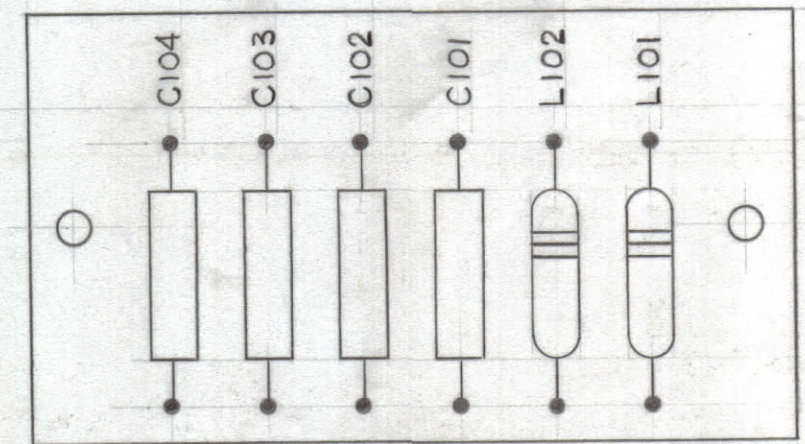
STAGE 1 - MACHINING
 MATERIAL: 1/8 PHENOLIC XXXP
 FINISH: NATURAL
A4042-1



STAGE 2 - MARKING
 1/8 HIGH BLACK GOTHIC.
 MARKING PROCESS PER
 TMC SPEC. S-727
A4042-2

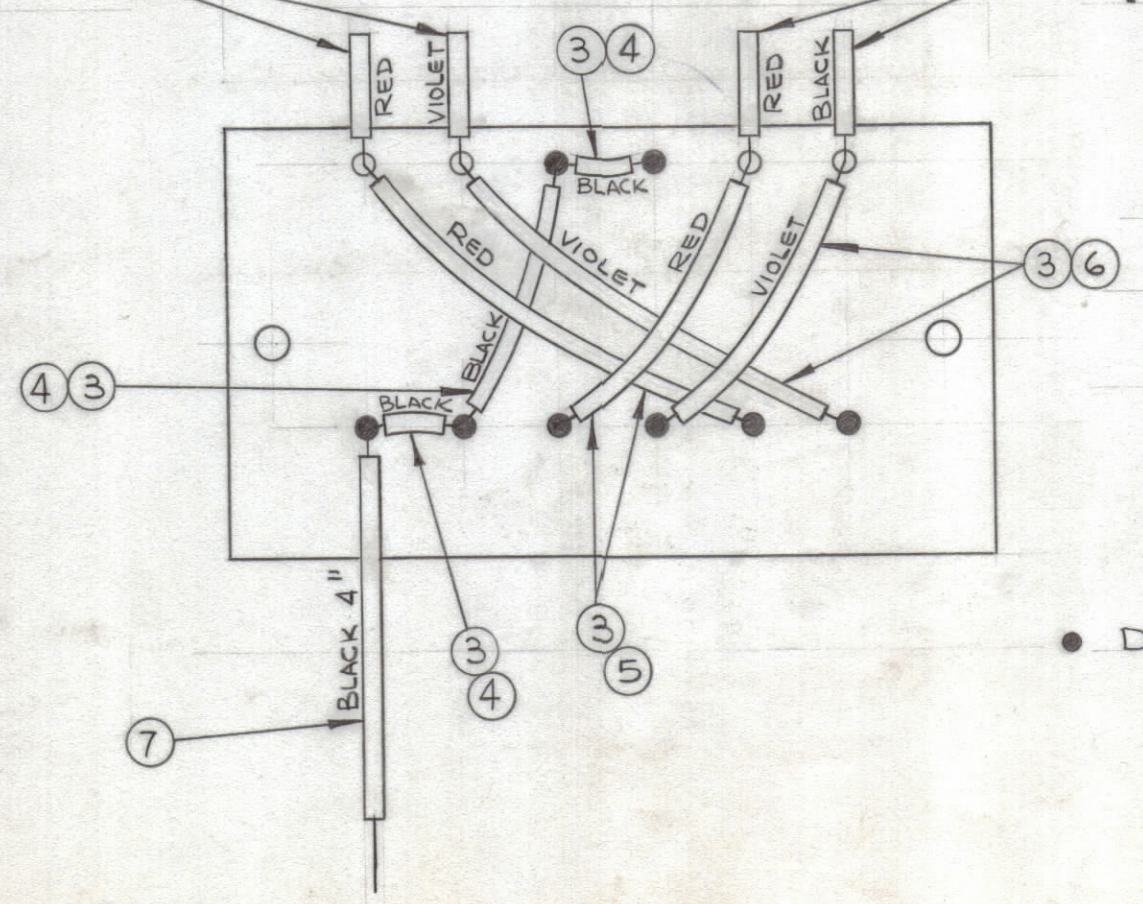


STAGE 3 - SUB-ASS'Y.
A4042-3



FROM CA 375
 ITEMS 28 & 29
 (REF. ONLY)

FROM CA 375
 ITEMS 21 & 22
 (REF. ONLY)



STAGE 4 - FINAL ASS'Y.
A4042-4

• DENOTES SOLDER POINT

REQ'D.	ITEM	PART NUMBER	DESCRIPTION	SYMBOL
X	10	BS100	SOLDER, TIN ALLOY	
2	9	CL140-1	COIL, RF, FIXED	L101, L102
4	8	CM30E102G	CAPACITOR, FIXED, MICA	C101, C102, C103, C104
4"	7	MWC22(7)U-0	WIRE, ELECTRICAL, INS.	BLACK
X	6	PX104-9-034	INSULATION, SLEEVING	VIOLET
X	5	PX104-3-034	INSULATION, SLEEVING	RED
X	4	PX104-1-034	INSULATION, SLEEVING	BLACK
X	3	WL100-7	WIRE, ELECTRICAL, BUSS	
2	2	TE108-13	NUT, PLAIN, CLINCH	
12	1	TE109-3	TERMINAL, STUD	

LIST OF MATERIAL				
MATERIAL	THE TECHNICAL MATERIEL CORP. MAMARONECK, NEW YORK			
FINISH	TITLE TERMINAL BOARD ASSY.			
UNLESS OTHERWISE SPECIFIED DIMENSIONS ARE IN INCHES AND INCLUDE CHEMICALLY APPLIED OR PLATED FINISHES	DRAWN H. AUSTIN	DATE 2-12-65	FINAL APPROVAL RJC	DATE
DECIMALS .X ± .05 .XX ± .01 .XXX ± .005	CHECKED SOS	DATE 2/15/65	DATE 2/25/65	DATE
TOLERANCES	ELECT. DES. SOS	DATE	DATE	DATE
FRACTIONS ± 1/64 ANGLES ± 0° 30'	MECH. DES.	DATE	DATE	DATE
NOTES			SHEET	REV. LTR.

1 SWR-10K-RM		
Q'TY./UNIT	MODEL USED ON	ASS'Y. NO.
SCALE 1:1	CODE	
THE CONTENTS OF THIS DRAWING ARE THE EXCLUSIVE PROPERTY OF THE TECHNICAL MATERIEL CORP. ITS UNAUTHORIZED USE OR REPRODUCTION IN WHOLE OR IN PART IS STRICTLY FORBIDDEN.		

A4042