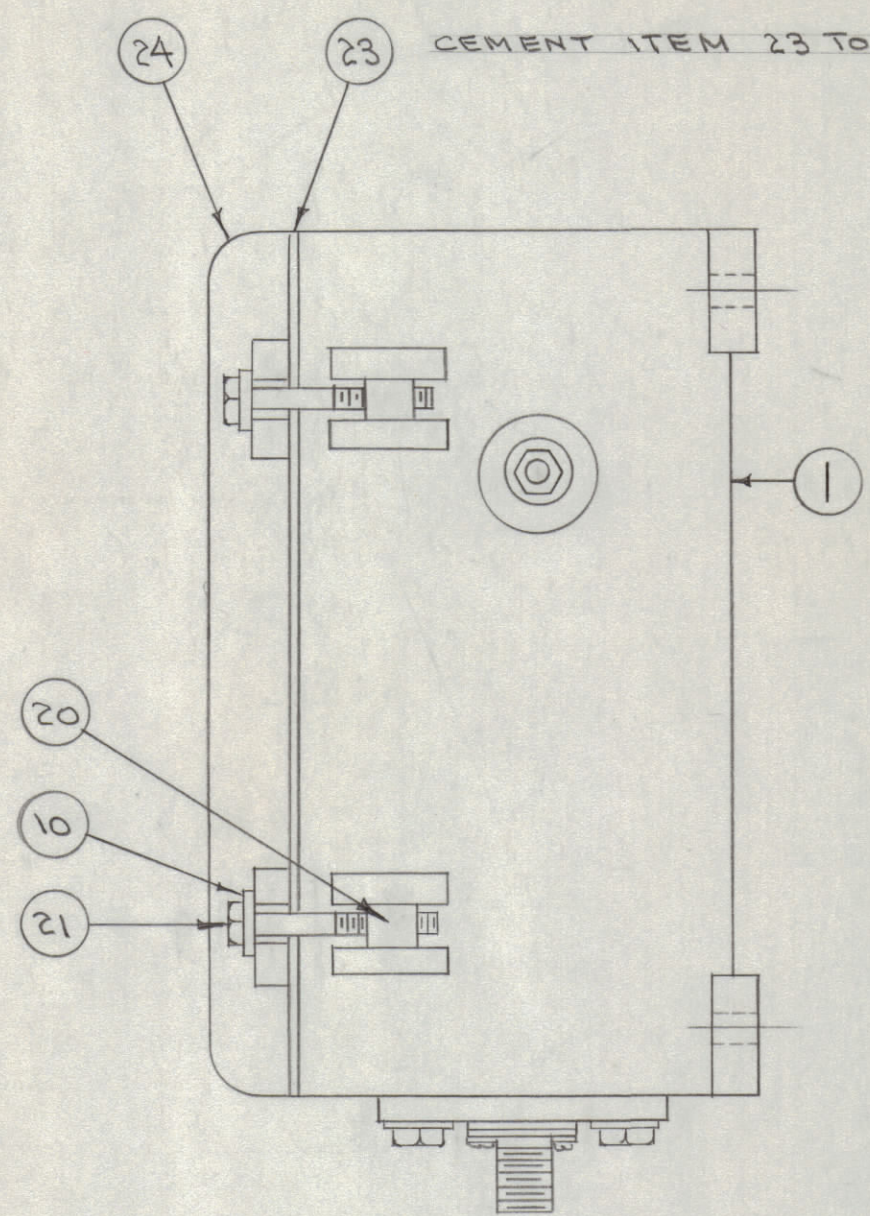
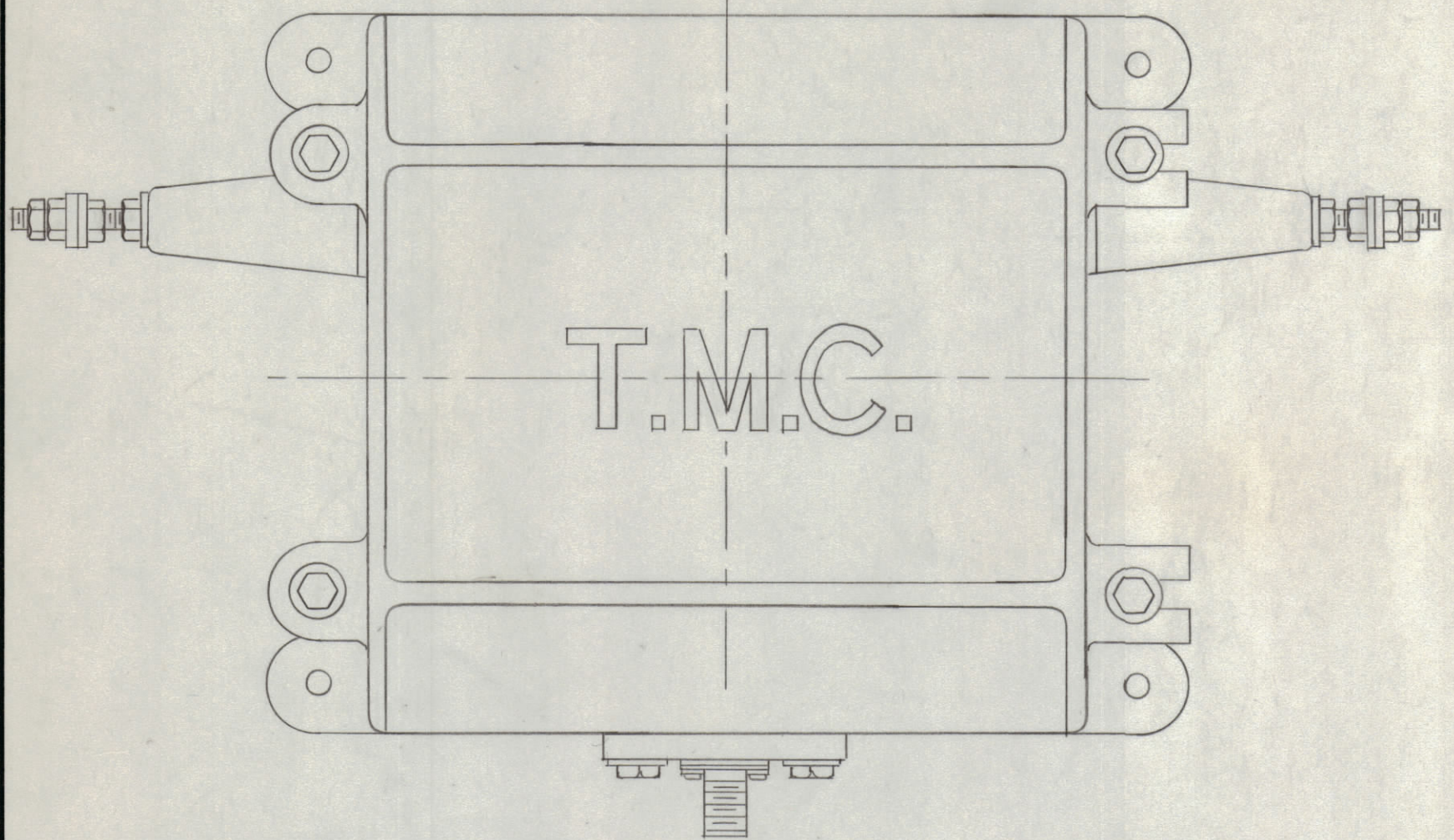


IF IT IS FOUND DESIRABLE TO CHANGE ANY TOLERANCE OR OTHER DETAIL SPECIFIED ON THIS DRAWING NOTIFY THE PURCHASER PROMPTLY.

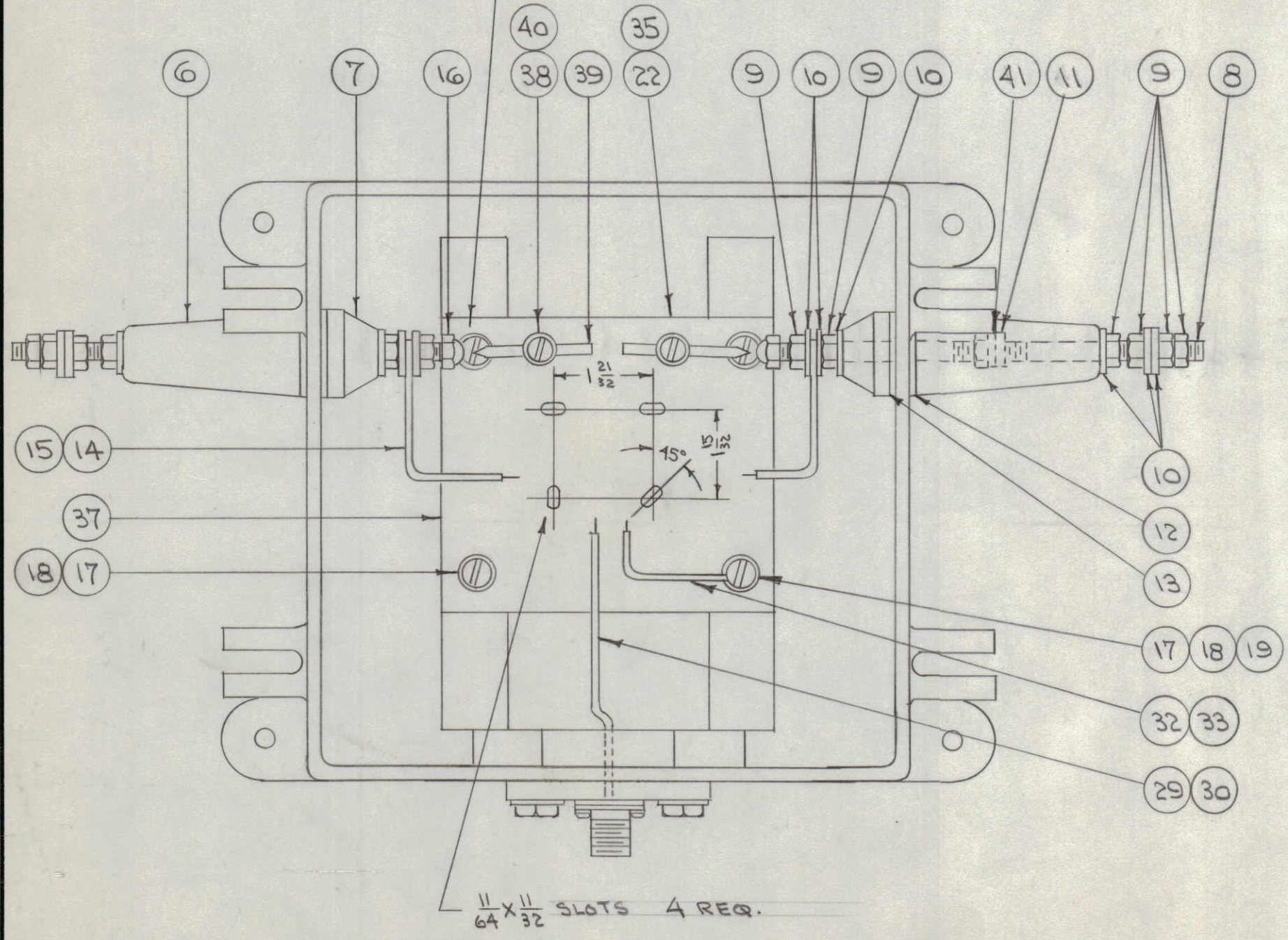
MAXIMUM ALLOWABLE TOLERANCES HAVE BEEN DETERMINED AND DEVIATIONS WILL BE CAUSE FOR REJECTION. REMOVE ALL BURRS AND SHARP EDGES



CEMENT ITEM 23 TO ITEM 24 WITH ITEM 34.

2	41	FW 25 LBC	WASHER, FLAT
2	40	SCRS0632SNG	SCREW, MACHINE
2	39	PM-103	SPARK ROD
2	38	PM-102	POST
1	37	MS-100	MOUNTING PLATE
1	36	UG-495/U	PLUG (LOOSE ITEM INSIDE)
2	35	LWE06MRC	WASHER, LOCK
X	34	GL-101-2	CEMENT, PLIOBOND
4"	33	PX-104-1-.066	INSULATION, SLEEVING
5"	32	WL-100-4	WIRE, BUSS BAR
X	31	BS-100	SOLDER, SOFT
8"	30	PX-104-1-.066	INSULATION, SLEEVING
9"	29	WL-100-4	WIRE, BUSS BAR
1	28	GA-111	GASKET
4	27	LWS04MSS	WASHER, LOCK
4	26	SCBS04A0SS6	SCREW, MACHINE
1	25	UG-496/U	RECEPTACLE
1	24	PM-105	COVER
1	23	GA-103	GASKET, COVER
2	22	SCBS0632BC6	SCREW, MACHINE

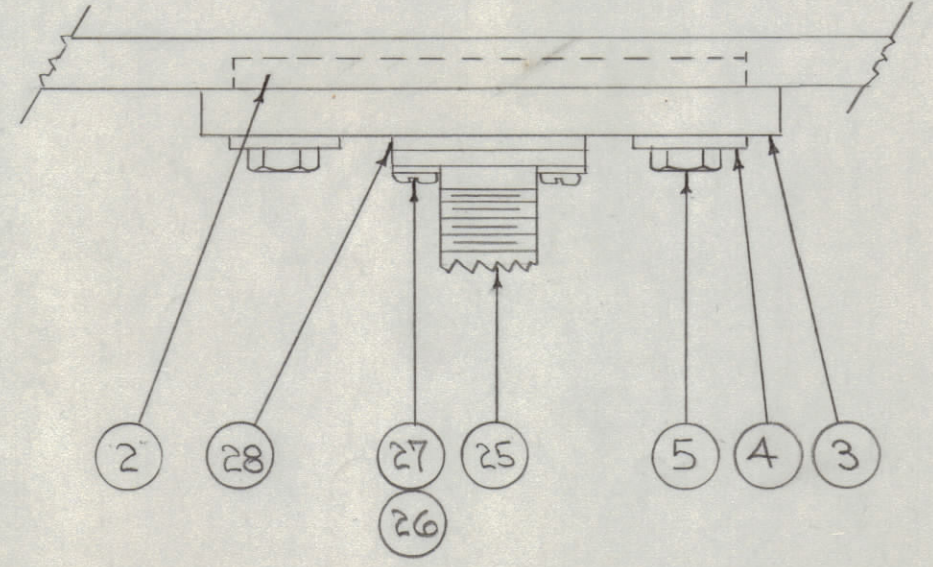
ADJUST SPARK GAP TO 1/16 SPACING



NOTE:
ITEM 36 IS SUPPLIED AS A LOOSE ITEM INSIDE CASE

A-497 B

RECEPTACLE & FLANGE DETAIL.



4	21	SC-108-9	BOLT, HEX
4	20	PM-100	PIN, COVER BOLT
1	19	FW08MBC	WASHER, FLAT
4	18	LWE08MRC	WASHER, LOCK
4	17	SCBS0832BC6	SCREW, MACHINE
2	16	NH25208CL	NUT, CAP
4"	15	PX-104-1-.066	INSULATION, SLEEVING
6"	14	WL-100-4	WIRE, BUSS BAR
2	13	GA-101	GASKET
2	12	GA-100	"
2	11	GA-104	"
20	10	FW25MSS	WASHER, FLAT
12	9	NH2520SS14	NUT, HEX
2	8	A-100	STUD, SUB ASSY.
2	7	NS-101	INSULATOR, INSIDE
2	6	NS-100	" , OUTSIDE
4	5	SC-108-4	BOLT, HEX
4	4	LWS25MSS	WASHER, LOCK
1	3	PM-245	FLANGE
1	2	GA-102	GASKET
1	1	PM-106	CASE

REQ. ITEM	PART NO.	DESCRIPTION	SYMBOL
THE TECHNICAL MATERIEL CORP. MAMARONECK, NEW YORK			
STOCK SIZE			
CASE & COVER ASSEMBLY			
MATERIAL		WEIGHT PER PC.	
TYPE & TEMPER			
HEAT TREAT. SPEC.			
FINISH & SPEC. NO.			

B	1	REDRAWN- ITEM 41 ADDED	2/15/54	2	C.D.D.	J.M.B.	W.D.E.
ISSUE	ITEM	CHANGED FROM	DATE	CN. NO.	DRAFTS	CHECKER	ENG. APP.
TOLERANCES							
SCALE:							
ALL OTHERS	DEC. DIM. ± FRAC. DIM. ± ANGULAR DIM. ±		DRILL, PUNCH, COMMERCIAL STOCK SIZES AND MANUFACTURERS TOLERANCES ARE NOT INCLUDED.				

MODEL	232	PROJECT NO.	8-7-52	ASS'Y. NO.	DATE
USED ON					